



Rigging and Assembly Instructions

LS SERIES FORCED DRAFT EVAPORATIVE CONDENSERS AND CLOSED CIRCUIT COOLERS

For EVAPCO Authorized Parts and Service, Contact Your Local EVAPCO Representative or the Local Mr. GoodTower® Service Provider

EVAPCO, Inc. — World Headquarters & Research/Development Center

EVAPCO, Inc. • P.O. Box 1300 • Westminster, MD 21158 USA
PHONE: 410-756-2600 • FAX: 410-756-6450 • E-MAIL: marketing@evapco.com

EVAPCO North America

EVAPCO, Inc. World Headquarters

P.O. Box 1300
Westminster, MD 21158 USA
Phone: 410-756-2600
Fax: 410-756-6450
E-mail: marketing@evapco.com

EVAPCO East

5151 Allendale Lane
Taneytown, MD 21787 USA
Phone: 410-756-2600
Fax: 410-756-6450
E-mail: marketing@evapco.com

EVAPCO Midwest

1723 York Road
Greenup, IL 62428 USA
Phone: 217-923-3431
Fax: 217-923-3300
E-mail: evapcomw@evapcomw.com

EVAPCO West

1900 West Almond Avenue
Madera, CA 93637 USA
Phone: 559-673-2207
Fax: 559-673-2378
E-mail: contact@evapcowest.com

EVAPCO Iowa

925 Quality Drive
Lake View, IA 51450 USA
Phone: 712-657-3223
Fax: 712-657-3226

EVAPCO Iowa Sales & Engineering

215 1st Street, NE
P.O. Box 88
Medford, MN 55049 USA
Phone: 507-446-8005
Fax: 507-446-8239
E-mail: evapcomn@evapcomn.com

Refrigeration Valves & Systems Corporation

A wholly owned subsidiary of EVAPCO, Inc.
1520 Crosswind Dr.
Bryan, TX 77808 USA
Phone: 979-778-0095
Fax: 979-778-0030
E-mail: rvs@rvscorp.com

McCormack Coil Company, Inc.

A wholly owned subsidiary of EVAPCO, Inc.
P.O. Box 1727
6333 S.W. Lakeview Boulevard
Lake Oswego, OR 97035 USA
Phone: 503-639-2137
Fax: 503-639-1800
E-mail: mail@mmccoil.com

EvapTech, Inc.

A wholly owned subsidiary of EVAPCO, Inc.
8331 Nieman Road
Lenexa, KS 66214 USA
Phone: 913-322-5165
Fax: 913-322-5166
E-mail: marketing@evaptech.com

Tower Components, Inc.

A wholly owned subsidiary of EVAPCO, Inc.
5960 US HWY 64E
Ramseur, NC 27316
Phone: 336-824-2102
Fax: 336-824-2190
E-mail: mail@towercomponentsinc.com

EVAPCO Newton

701 East Jourdan Street
Newton, IL 62448 USA
Phone: 618-783-3433
Fax: 618-783-3499
E-mail: evapcomw@evapcomw.com

EVAPCO Europe

EVAPCO Europe, N.V. European Headquarters

Industrieterrein Oost 4010
3700 Tongeren, Belgium
Phone: (32) 12-395029
Fax: (32) 12-238527
E-mail: evapco.europe@evapco.be

EVAPCO Europe, S.r.l.

Via Ciro Menotti 10
I-20017 Passirana di Rho
Milan, Italy
Phone: (39) 02-939-9041
Fax: (39) 02-935-00840
E-mail: evapcoeuropa@evapco.it

EVAPCO Europe, S.r.l.

Via Dosso 2
23020 Piateda Sondrio, Italy

EVAPCO Europe, GmbH

Bovert 22
D-40670 Meerbusch, Germany
Phone: (49) 2159-69560
Fax: (49) 2159-695611
E-mail: info@evapco.de

Flex coil a/s

A wholly owned subsidiary of EVAPCO, Inc.
Knøsgårdvej 115
DK-9440 Aabybro Denmark
Phone: (45) 9824 4999
Fax: (45) 9824 4990
E-mail: info@flexcoil.dk

EVAPCO S.A. (Pty.) Ltd.

A licensed manufacturer of EVAPCO, Inc.
18 Quality Road
Isando 1600
Republic of South Africa
Phone: (27) 11-392-6630
Fax: (27) 11-392-6615
E-mail: evapco@evapco.co.za

Evap Egypt Engineering Industries Co.

A licensed manufacturer of EVAPCO, Inc.
5 El Nasr Road
Nasr City, Cairo, Egypt
Phone: 2 02 24022866/2 02 24044997
Fax: 2 02 24044667/2 02 24044668
E-mail: Primacool@link.net / Shady@primacool.net
EVAPCO (Shanghai) Refrigeration

EVAPCO Asia/Pacific

EVAPCO Asia/Pacific Headquarters

1159 Luoning Rd. Baoshan Industrial Zone
Shanghai, P. R. China, Postal Code: 200949
Phone: (86) 21-6687-7786
Fax: (86) 21-6687-7008
E-mail: marketing@evapcochina.com

Equipment Co., Ltd.

1159 Louning Rd., Baoshan Industrial Zone
Shanghai, P.R. China, Postal Code: 200949
Phone: (86) 21-6687-7786
Fax: (86) 21-6687-7008
E-mail: marketing@evapcochina.com

Beijing EVAPCO Refrigeration Equipment Co., Ltd.

Yan Qi Industrial Development District
Huai Rou County
Beijing, P.R. China, Postal Code: 101407
Phone: (86) 10 6166-7238
Fax: (86) 10 6166-7395
E-mail: evapcobj@evapcochina.com

EVAPCO Australia (Pty.) Ltd.

34-42 Melbourne Road
P.O. Box 436
Riverstone, N.S.W. Australia 2765
Phone: (61) 2 9627-3322
Fax: (61) 2 9627-1715
E-mail: sales@evapco.com.au

EvapTech Asia Pacific Sdn. Bhd

A wholly owned subsidiary of EvapTech, Inc.
IOI Business Park, 2/F Unit 20
Persiaran Puchong Jaya Selatan
Bandar Puchong Jaya,
47170 Puchong, Selangor, Malaysia
Phone: (60-3) 8070 7255
Fax: (60-3) 8070 5731
E-mail: marketing-ap@evaptech.com

**EVAPCO...SPECIALISTS IN HEAT TRANSFER
PRODUCTS AND SERVICES.**

Visit EVAPCO's Website at:
<http://www.evapco.net>



Method of Shipment

Forced draft units are shipped either fully assembled (small units) or with the top section(s) separate from the bottom section(s). These sections have mating flanges and will join together in a waterproof joint when sealed and bolted together as described in the following instructions. Miscellaneous items, such as sealer, fasteners and any other required materials, are packaged and placed inside the pan for shipment.

NOTE: All casing sections are factory inspected prior to shipment to verify proper fit for rigging. Please take extra care to handle and rig unit section per the instructions of this manual to avoid possible distortion and poor casing alignment. It is advisable to check each section upon receipt and during each lift to ensure that the factory alignment has not been altered. Should the field inspection indicate the section alignment (“square”) has been altered, please contact the factory or your local EVAPCO representative for additional instructions to obtain proper section fit.

Storage

Do not place tarps or other coverings over the top of the units if the units are to be stored before installation. Excessive heat can build up if the units are covered causing possible damage to the PVC eliminators. For extended storage beyond six months rotate the fan and fan motor shaft(s) monthly. Also, the fan shaft bearings should be purged and regreased prior to start-up.

General

For extended lifts, or where hazards may exist, it is recommended that safety slings and spreaders be employed for safety. Refer to the extended lift information in this bulletin.

International Building Code Provisions

The International Building Code (IBC) is a comprehensive set of regulations addressing the structural design and installation requirements for building systems— including HVAC and industrial refrigeration equipment. As of June 2008, all 50 states plus Washington D.C. have adopted the International Building Code. The code provisions require that evaporative cooling equipment and all other components permanently installed on a structure must meet the same seismic design criteria as the building. The LS Series Coolers and Condensers are IBC 2006 compliant up to 1g (145 psf wind-load) with standard construction and up to 5.12g (145 psf wind-load) with additional structural modifications.

All items attached to the Evapco LS Closed Circuit Cooler or LS Evaporative Condenser must be independently reviewed and isolated to meet applicable wind and seismic loads. This includes piping, ductwork, conduit, and electrical connections. These items must be flexibly attached to the Evapco unit so as not to transmit additional loads to the equipment as a result of seismic or wind forces.

Structural Steel Support

Two structural “I” beams running the length of the unit are required for supporting the unit. These beams should be located underneath the outer flanges of the unit as shown in Figure 1. See Table 1 for Steel Support Dimensions.

Mounting holes, 3/4” in diameter, are located in the bottom flange for bolting to the structural steel. Refer to the recommended structural steel support drawing and certified print for exact bolt hole location. Bolt the bottom section to the steel support before rigging the top section.

Beams should be sized in accordance with accepted structural practices. Maximum deflection of the beam under the unit should be 1/360 of the unit length, not to exceed 1/2”. Deflection may be calculated by using 55% of the operating weight as a uniform load on each beam (see certified print for operating weight).

The supporting "I" beams should be level to within 1/8" in 6' before setting the unit. Do not level the unit by shimming between the bottom flange and the beams as this will not provide proper longitudinal support.

NOTE: Consult IBC 2006 for required steel support layout and structural design.

Table 1 – Steel Support Dimensions

Unit Footprint	B1 (Unit Only)	B2 Unit with Intake Attn.)	A
5' x 12'	5' 5-3/8"	11' 4-1/2"	11' 11-1/2"
5' x 18'	5' 5-3/8"	11' 4-1/2"	18' 1/8"
8P' x 12'	7' 10"	13' 9"	11' 11-3/4"
8P' x 18'	7' 10"	13' 9"	18' 0"
8P' x 24'	7' 10"	13' 9"	24' 1"
8P' x 36'	7' 10"	13' 9"	36' 2-1/4"
10' x 12'	9' 9-3/4"	15' 8-3/4"	11' 11-5/8"
10' x 18'	9' 9-3/4"	15' 8-3/4"	18' 1/4"
10' x 24'	9' 9-3/4"	15' 8-3/4"	24' 3/4"
10' x 36'	9' 9-3/4"	15' 8-3/4"	36' 1-7/8"

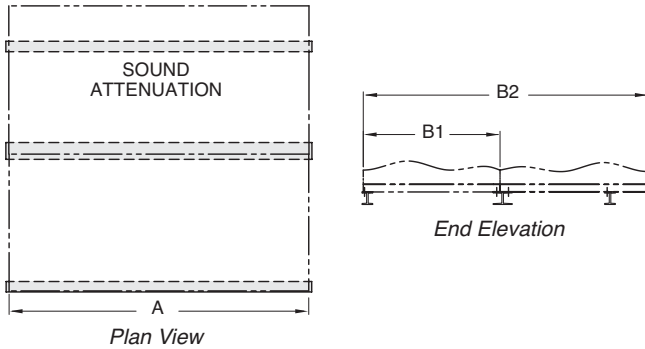


Figure 1 – Structural Steel Support

Rigging Pan/Fan Section

U-bolts or similar lifting points are located in the pan-fan section for lifting and final positioning purposes as shown below in Figures 2, 3 and 4. Units with lengths up to 18' have 4 total lift points. Units with lengths of 24' and 8' x 36' long units have 6 lift points. All other 36' long units have 8 lift points. See Table 2 for the minimum "H" dimensions for rigging the pan-fan assembly.

NOTE: Use all of the U-bolts or lift points provided for lifting.

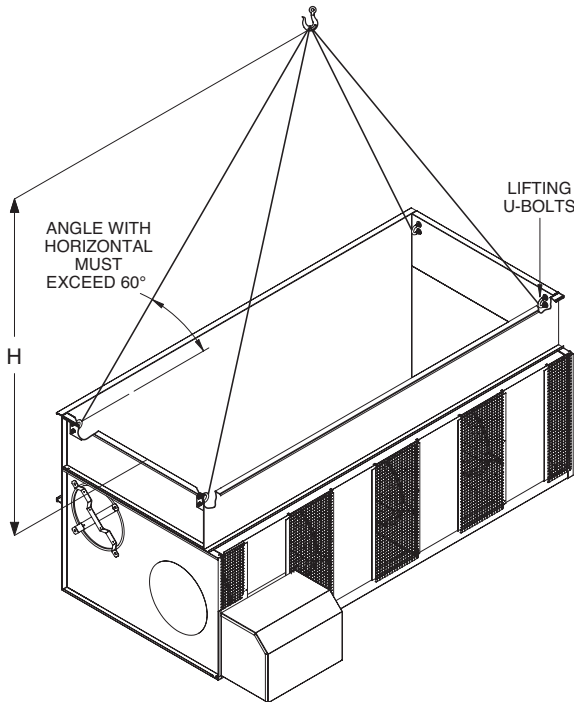


Figure 2 – Pan/Fan Section (up to 18' Long)

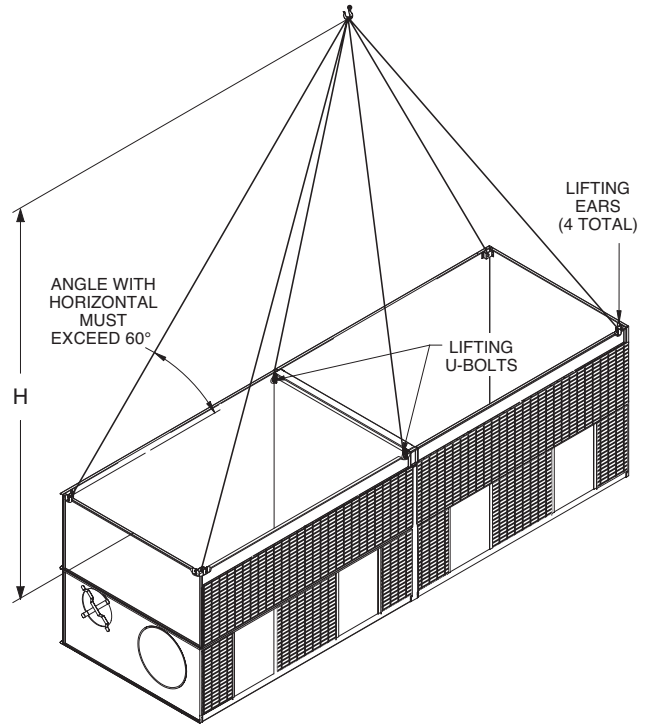


Figure 3 – Pan/Fan Section (24' Long and 8' x 36' Long - 6 lift points shown)

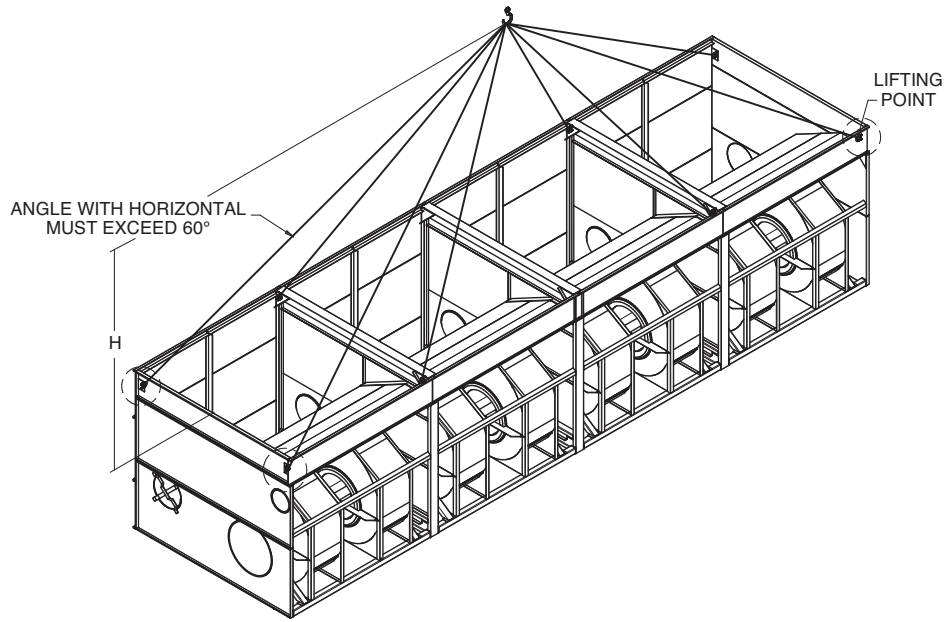


Figure 4 – Pan/Fan Section
(10' x 36' Long - 8 lift points shown)

The recommended method for extended lifts is to use slings under the unit as shown in Figures 5 and 6. Spreader bars should always be used between the cables at the top of the section to prevent damage to the upper flanges. **NOTE: The U-bolts or other lifting points should be used for final positioning only and for lifting where no danger exists. If they are used for extended lifts, safety slings and spreader bars should be provided under the sections as shown.**

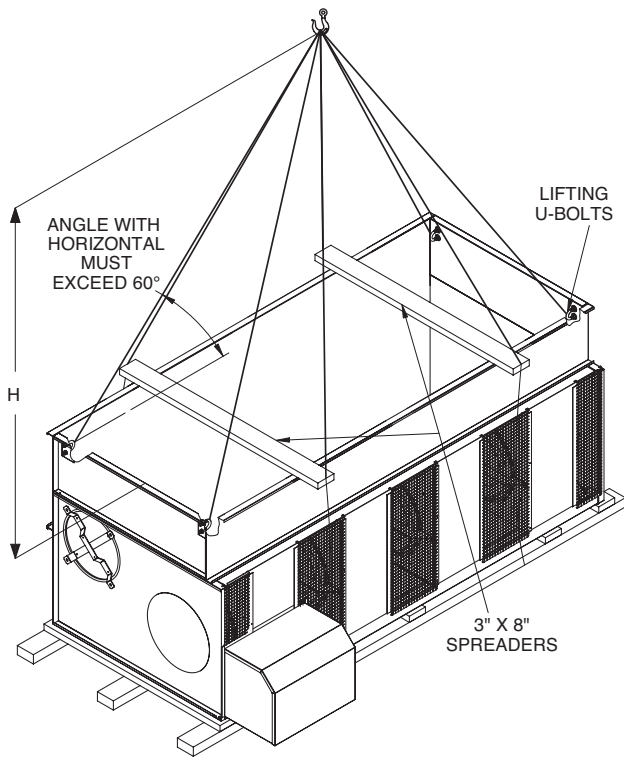


Figure 5 – Extended Lift Pan/Fan Section
(up to 18' Long)

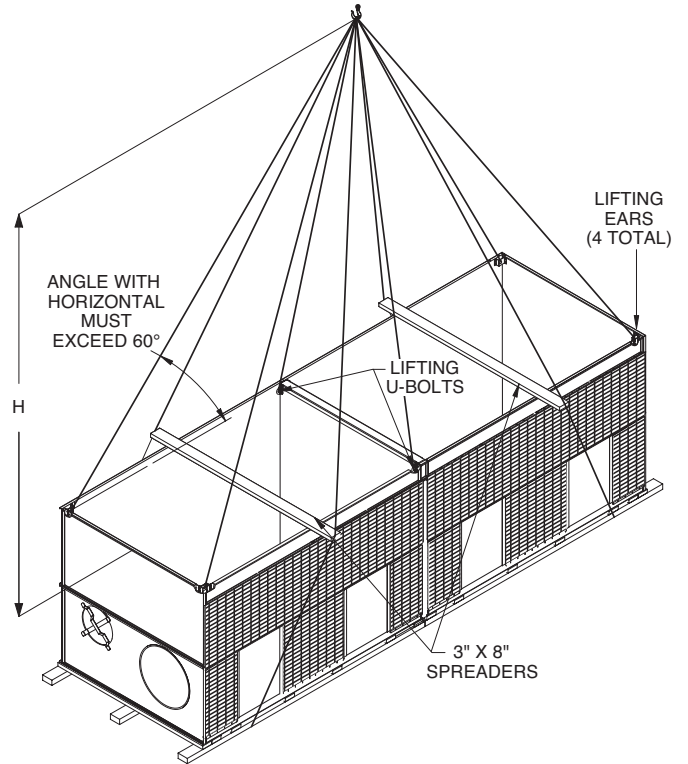


Figure 6 – Extended Lift Pan/Fan Section
(24' and 36' Long - 6 lift points shown)

See Table 2 for the minimum "H" dimensions for rigging the pan-fan assembly for both standard and extended lifts.

Table 2 – Minimum “H” Dimension for Pan/Fan Rigging

Unit Footprint	Minimum “H”
4' x 6'	8'
4' x 9'	10'
4' x 12'	15'
4' x 18'	19'
5' x 12'	15'
5' x 18'	19'
8P' x 12'	15'

Unit Footprint	Minimum “H”
8P' x 18'	19'
8P' x 24'	25'
8P' x 36'	38'
10' x 12'	15'
10' x 18'	19'
10' x 24'	25'
10' x 36'	38'

Applying Sealer Tape

Once the bottom section has been set on the supporting steel and bolted in place, wipe the top flanges to remove any dirt or moisture. Place sealer tape over the mounting hole centerline on the side flanges. Apply two strips of sealer tape, one partially overlapping the other, on the end flanges.

The sealer tape should overlap on the corners as shown in Figure 7. Do not splice the sealer tape along the end flanges and preferably not on the side flanges if it can be avoided. **Always remove the paper backing from the sealer tape.**

For units which have two coil sections, sealer tape must be applied to all internal flanges (Figure 8).

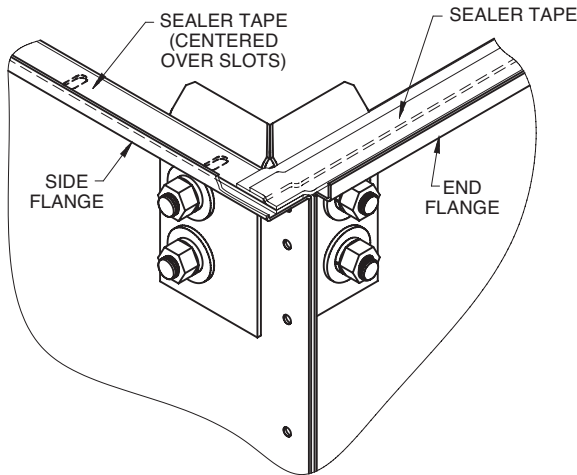


Figure 7 – Proper Sealer Tape Application

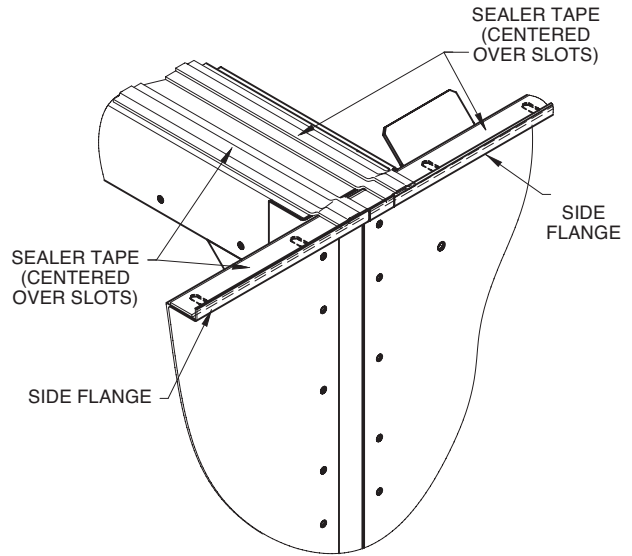


Figure 8 – Sealer Detail for Center Joint of Units with Two of More Coil Sections

Rigging the Coil Section

U-bolts or lift points are provided in the four corners of the coil section for lifting and final positioning (Figure 9). On larger coil sections which have 2 coils, there are additional lift points on the center (Figure 10). Refer to the certified drawing for the coil section weight. The end and center eliminator sections should be removed before lifting from the U-bolts or lift points and set back into place once the rig is complete. See Table 3 for the minimum “H” dimensions for rigging the coil section. **NOTE: Use all of the U-bolts or lift points provided for lifting.**

CAUTION: On units shipped as two separate sections, do not assemble sections and attempt to lift the entire unit. The U-bolts and lift points are designed to carry only the weight of their individual section.

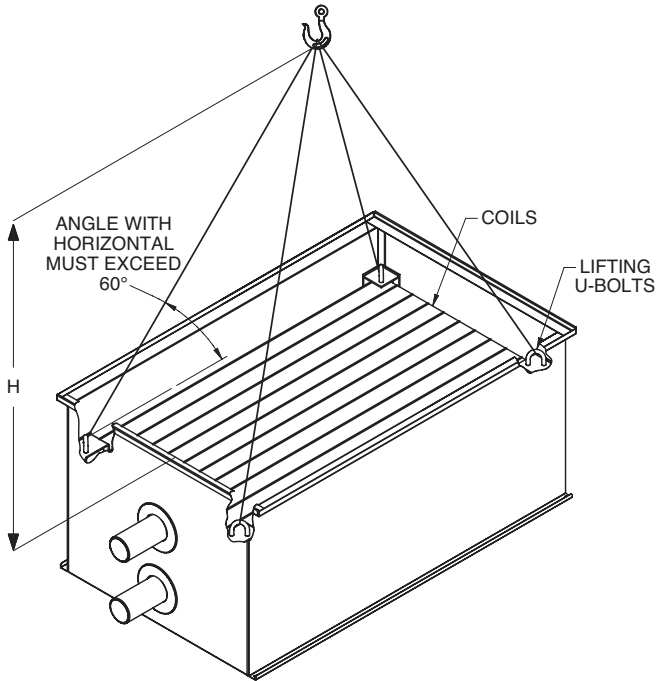


Figure 9 – Small Coil Section

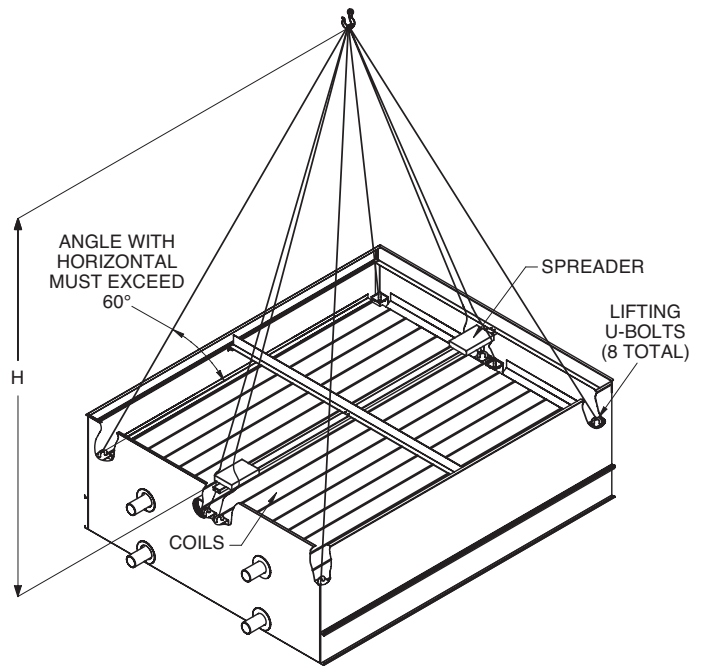


Figure 10 – Large Coil Section (2 Coils Wide)

The recommended method for extended lifts is to use slings under the unit as shown in Figures 11 and 12. Spreader bars should always be used between the cables at the top of the section to prevent damage to the upper flanges.

NOTE: The U-bolts or other lifting points should be used for final positioning only and for lifting where no danger exists. If they are used for extended lifts, safety slings and spreader bars should be provided under the sections as shown.

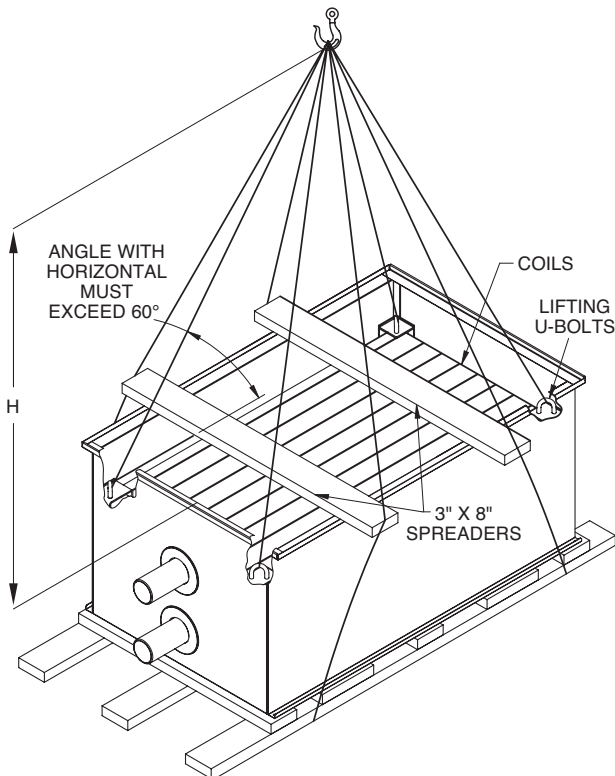


Figure 11 – Extended Lift Small Coil Section

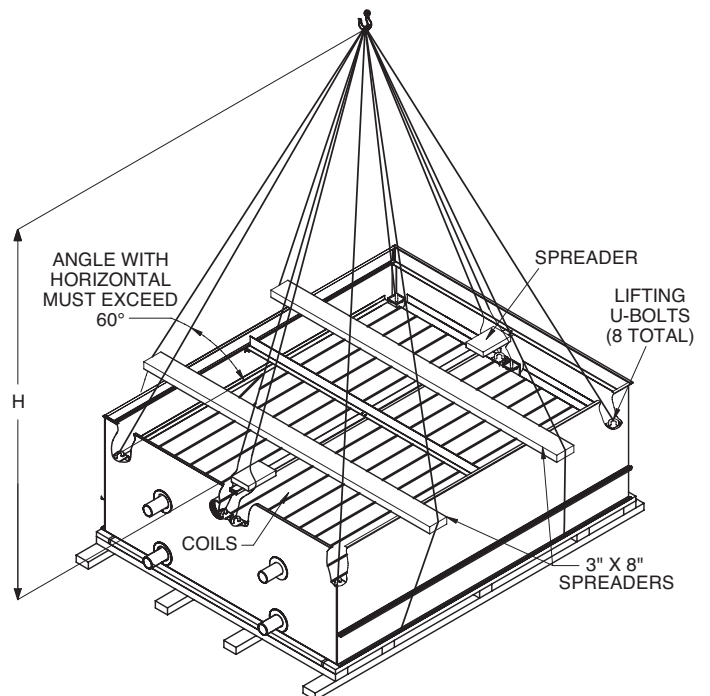


Figure 12 – Extended Lift Large Coil Section

See Table 3 for the minimum “H” dimensions for rigging the coil section for both standard and extended lifts.

Table 3 – Minimum “H” Dimension for Coil Rigging

Unit Footprint	Minimum “H”
4' x 6'	8'
4' x 9'	10'
4' x 12'	15'
4' x 18'	19'
5' x 12'	15'
5' x 18'	19'
8P' x 12'	15'
8P' x 18'	19'
8P' x 24'	15'
8P' x 36'	19'
10' x 12'	15'
10' x 18'	19'
10' x 24'	15'
10' x 36'	19'

Assembly of the Coil Section to the Pan/Fan Section

Before assembling the coil section to the pan/fan section, remove any loose parts shipped in the pan. On small centrifugal fan units, the fan motor guard is normally shipped in the basin to avoid damage. It should be attached to the unit with the self-tapping screws provided.

Wipe the flanges on the bottom of the coil section. Check to see that the water distribution connection on the coil section is in the correct position relative to the pan-fan section (see certified print). Confirm that sealer tape has been applied to the top of the pan-fan section as shown in Figures 7 and 8.

Lower the coil section to within several inches of the pan-fan section making sure the two sections do not touch and the sealer tape is not disturbed. Place drift pins (see Figure 13, Detail B) in at least 3 of the corner mounting holes and gradually lower the coil section into place using the drift pins to guide the section down accurately onto the mating flange. On 18 foot and 24 foot long sections, drift pins should be used midway along the sides as well.

Place fasteners in all four corner bolt holes. Then continue to install the rest of the fasteners working from the corners toward the center, using drift pins to align the holes. A fastener must be installed in every hole on the side flanges although none are required on the end flanges. For units with two coil sections, mount the first as described, and then follow the same procedure for the second section.

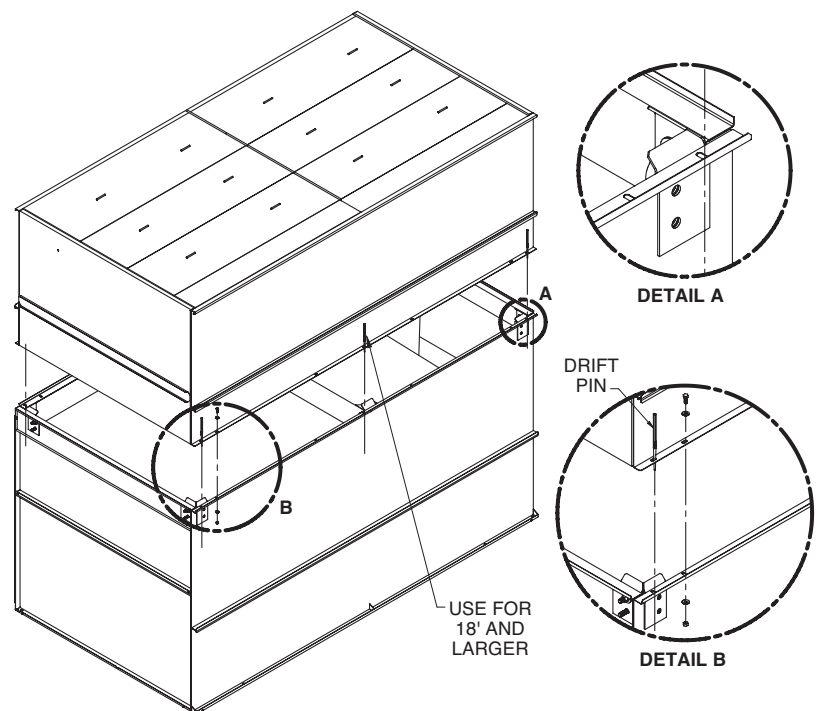


Figure 13 – Mating Coil Section to Pan-Fan Section

Rigging Complete Units

Units that are shipped with the pan-fan and coil sections assembled can be lifted into final position on the structural steel as a complete unit. U-bolts or lift points are provided in the coil section below the eliminators for lifting and final positioning (Figure 14).

NOTE: Use all of the U-bolts or lift points provided for lifting.

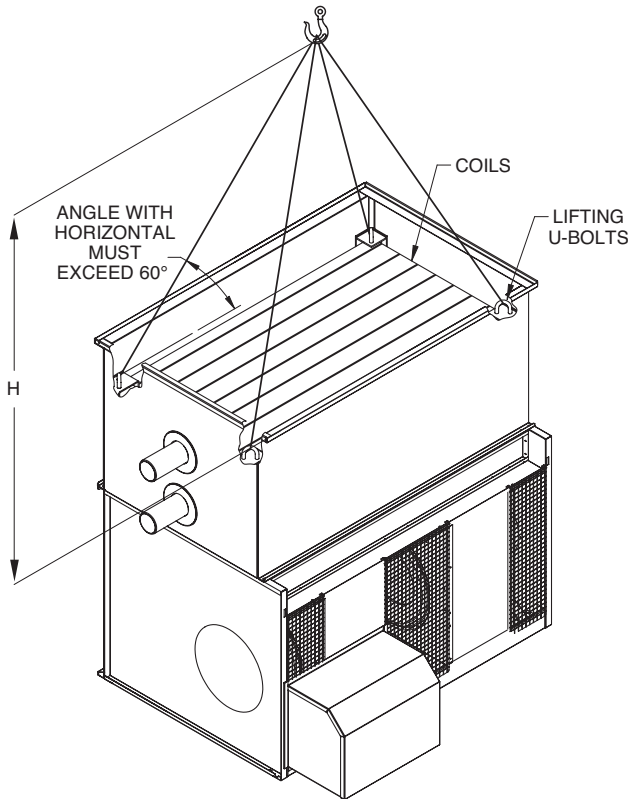


Figure 14 – Complete 4' Wide Units

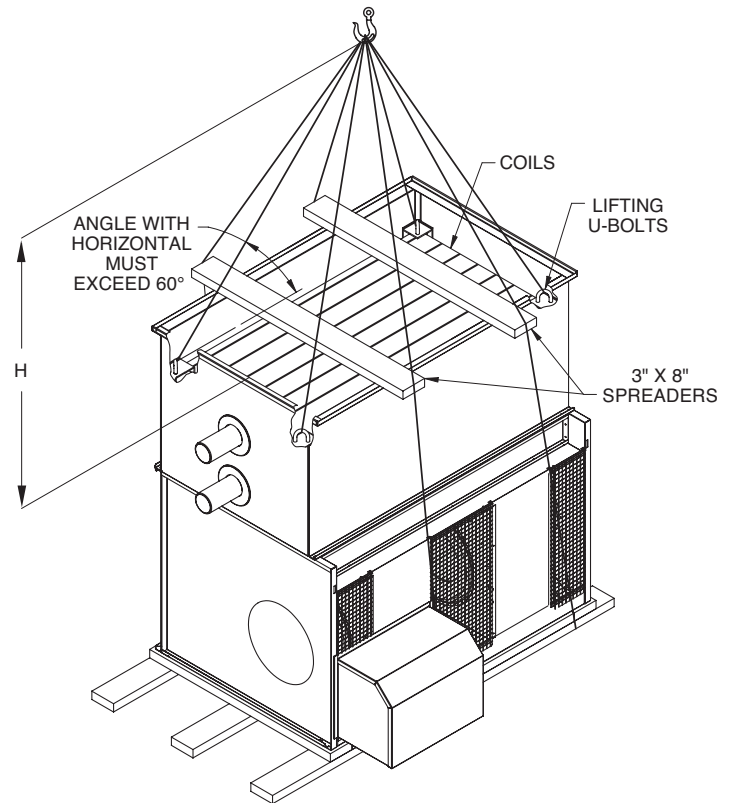


Figure 15 – Extended Lift Complete Unit

The recommended method for extended lifts is to use slings under the unit as shown in Figure 15. Spreader bars should always be used between the cables at the top of the section to prevent damage to the upper flanges.

NOTE: The U-bolts or other lifting points should be used for final positioning only and for lifting where no danger exists. If they are used for extended lifts, safety slings and spreader bars should be provided under the sections as shown.

See Table 4 for the minimum "H" dimensions for rigging the entire unit for both standard and extended lifts.

Table 4 – Minimum "H" Dimension for Complete Unit Rigging

Unit Footprint	Minimum "H"
4' x 6'	8'
4' x 9'	10'

Optional Tapered or Straight-Sided Hood Section

Some units may be supplied with an optional discharge hood section. This section will ship from the factory as a separate item or loosely mounted on top of either the pan-fan section or coil section to reduce freight charges. Each hood section is equipped with U-bolts located at the four corners for lifting and final positioning (Figure 16). Always use safety slings for extended lifts or where any hazard exists.

NOTE: When combined with other sections, the hood must be removed prior to any lift. In all cases the hood section must be rigged as a separate part.

Once the coil section has been secured to the pan-fan section, wipe the top flanges to remove any dirt or moisture. Place sealer tape over the mounting hole centerline on the side flanges. Apply two strips of sealer tape, one partially overlapping the other, on the end flanges as shown in Figures 7 and 8. Remove any shipping blocks or other obstructions. Lower the hood onto the top flange of the coil section.

Install the fasteners in all four corners as shown in Figure 16. For 18 foot long hoods, two additional fasteners are provided and are to be fastened in the middle of each side. **NOTE:** Always lift the hood separately and follow the rigging sequence shown.

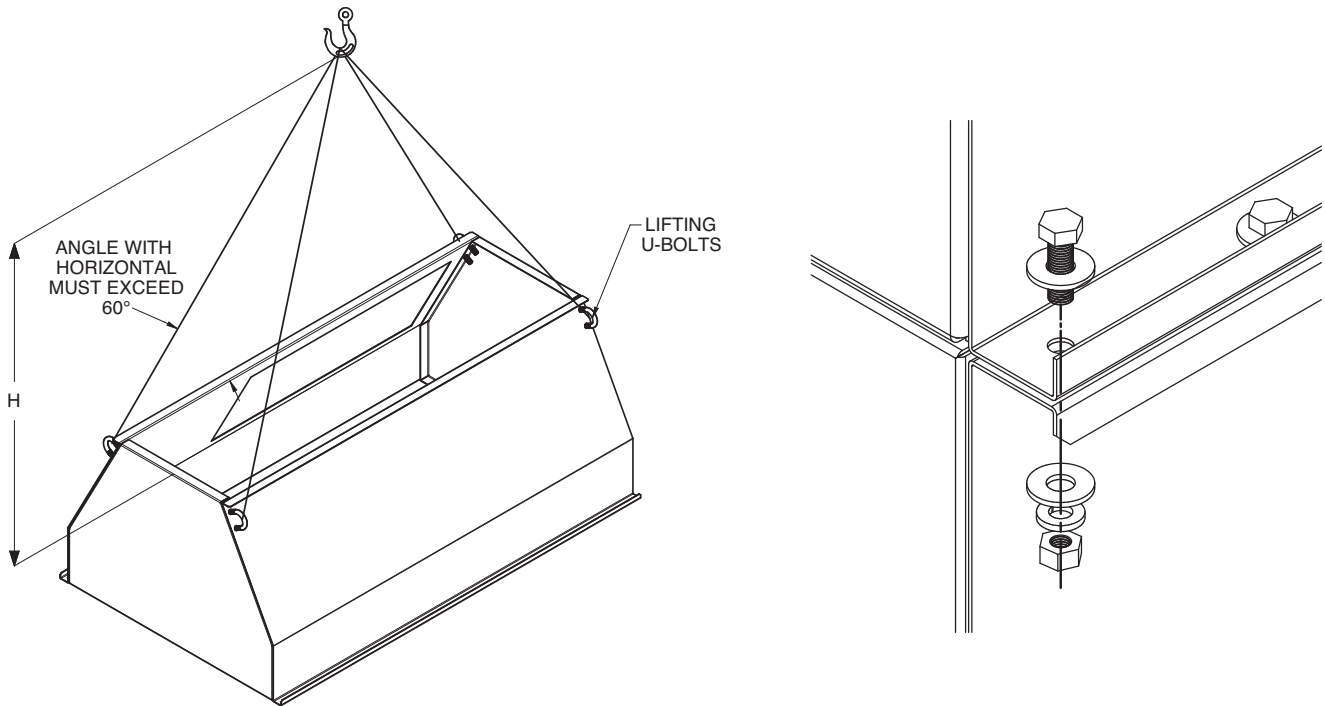


Figure 16 – Discharge Hood Rigging and Assembly (Tapered Hood Shown)

See Table 5 for the minimum “H” dimensions for rigging the discharge hood for both standard and extended lifts.

Table 5 – Minimum “H” Dimension for Rigging Discharge Hoods and Discharge Attenuation

Unit Footprint	Minimum “H”
4' x 6'	8'
4' x 9'	10'
4' x 12'	15'
4' x 18'	19'
5' x 12'	15'
5' x 18'	19'
8P' x 12'	15'

Unit Footprint	Minimum “H”
8P' x 18'	19'
8P' x 24'	15'
8P' x 36'	19'
10' x 12'	15'
10' x 18'	19'
10' x 24'	15'
10' x 36'	19'

Optional Discharge Attenuation Section

Some units may be supplied with an optional discharge attenuation section. This section will ship from the factory as a separate item or mounted on top of either the pan-fan section or coil section to reduce freight charges. Each discharge attenuation section is equipped with U-bolts located at the four corners for lifting and final positioning (Figure 17). Always use safety slings for extended lifts or where any hazard exists.

NOTE: When combined with other sections, the attenuation must be removed prior to any lift. In all cases the hood section must be rigged as a separate part.

Once the coil section has been secured to the pan-fan section, wipe the top flanges to remove any dirt or moisture. Place sealer tape over the mounting hole centerline on the side flanges. Apply two strips of sealer tape, one partially overlapping the other, on the end flanges as shown in Figures 7 and 8.

Lower the attenuation section to within several inches of the coil section making sure the two sections do not touch and the sealer tape is not disturbed. Place drift pins (see Figure 18) in at least 3 of the corner mounting holes and gradually lower the coil section into place using the drift pins to guide the section down accurately onto the mating flange. On 18 foot and 24 foot long sections, drift pins should be used midway along the sides as well.

Place fasteners in all four corner bolt holes. Then continue to install the rest of the fasteners working from the corners toward the center, using drift pins to align the holes. A fastener must be installed in every hole on the side flanges although none are required on the end flanges. For units with two attenuation sections, mount the first as described, and then follow the same procedure for the second section.

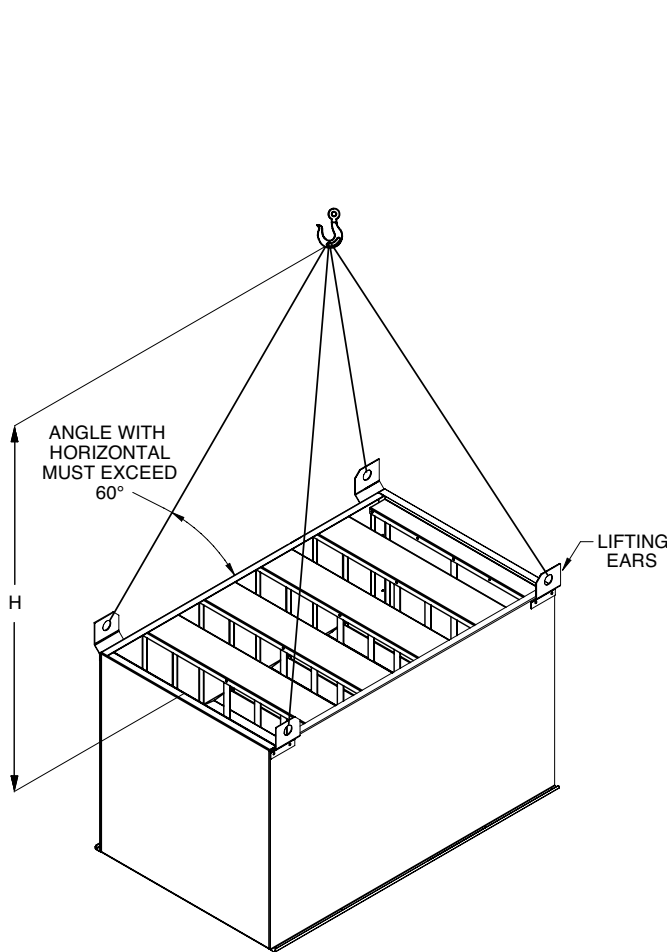


Figure 17 – Discharge Attenuator Rigging

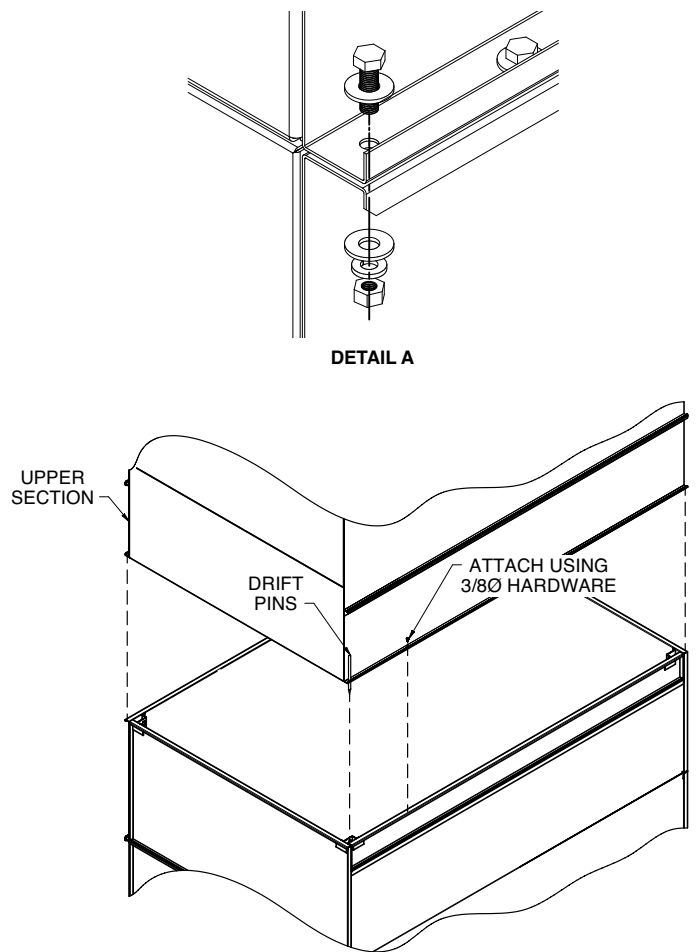


Figure 18 – Discharge Attenuator Installation Instructions

Optional Intake Attenuation

Some units may be supplied with an optional intake attenuation section. This section will ship from the factory as a separate item or mounted on top of either the pan-fan section or coil section to reduce freight charges. Each intake attenuation section is equipped with U-bolts located at the four corners for lifting and final positioning (Figure 19). Always use safety slings for extended lifts or where any hazard exists.

NOTE: When combined with other sections, the attenuation must be removed prior to any lift. In all cases the attenuation section must be rigged as a separate part.

Move the attenuation section to within several inches of the fan intake section. Place drift pins (see Figure 18) in at least 3 of the corner mounting holes and gradually move the coil section into place using the drift pins to guide the section accurately onto the mating flange. On 18 foot and 24 foot long sections, drift pins should be used midway along the sides as well. See Table 6 for the minimum “H” dimensions for rigging the inlet attenuation for both standard and extended lifts.

Table 6 – Minimum “H” Dimension for Rigging Inlet Attenuation

Unit Footprint	Minimum “H”
4' x 6'	8'
4' x 9'	10'
4' x 12'	15'
4' x 18'	19'
5' x 12'	15'
5' x 18'	19'
8P' x 12'	15'

Unit Footprint	Minimum “H”
8P' x 18'	19'
8P' x 24'	15'
8P' x 36'	19'
10' x 12'	15'
10' x 18'	19'
10' x 24'	15'
10' x 36'	19'

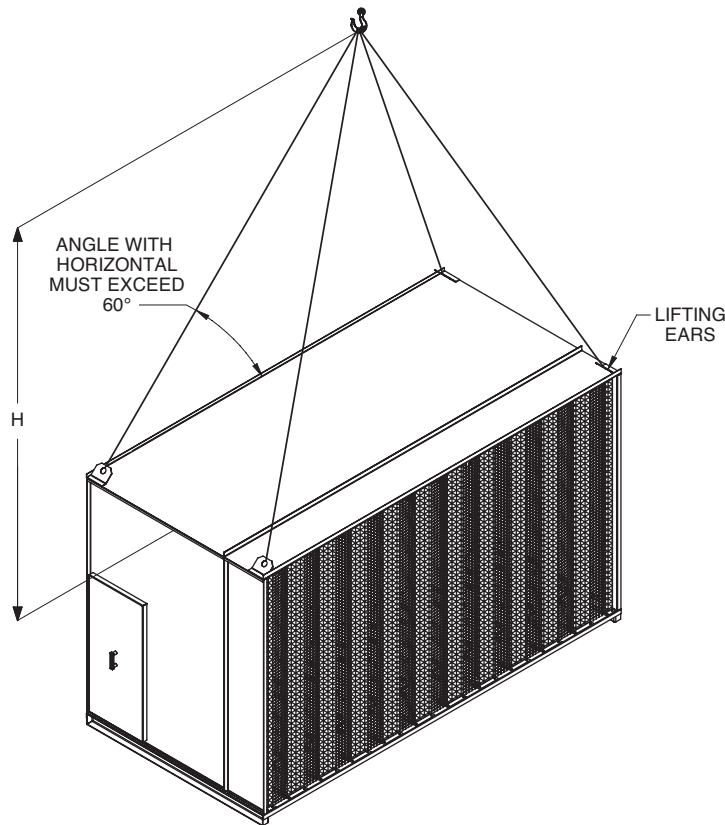


Figure 19 – Complete Attenuator Rigging

Motor Installation (4' and 5' wide models)

1. Study Figure 20 before installing the motor bases on the unit.
2. Insert the lifting device into the lifting hole A provided in the motor base.
3. Lift the motor/motor base assembly and align holes B to B1 and C to C1. Insert the 1/2 inch diameter pivot bolts with flat washer D. Install flat washer, nut and jam nut E on the pivot bolt. **DO NOT OVERTIGHTEN.**
4. Insert the J-bolts F into holes G. Install flat washers and cotter pins H. Place nuts, lock washers, and flat washers J on the threaded portion of J-bolts. Their final location will be behind the motor base installed next.
5. Insert the J-bolts into the holes K in the motor base. Install flat washers, lock washers, and nuts L. Remove the lifting device from the motor base and position motor base toward the unit for belt installation.
6. Install the belts M around the fan sheave and motor sheave (Figure 21). Tighten belts by adjusting nuts on J-bolts. Do not over tension the belts. When the belts are properly adjusted, the deflection at the center of the belt should be approximately 1/2" with moderate hand pressure.
7. Measure the distance from the motor base to the J-bolt mounting angles to ensure that both sides of the base are located the same distance from the unit. This should ensure that the sheaves are properly aligned since they were pre-set at the factory.
8. As a final check, lay a straight edge from sheave to sheave (Figure 22). There should be 4 point contact. Adjust the position of the motor sheave if necessary.
9. To install the motor guard N, line up the holes and fasten with the self-tapping screws P (Figure 21). Check to ensure that the motor guard does not make contact with the drive sheave or belts.

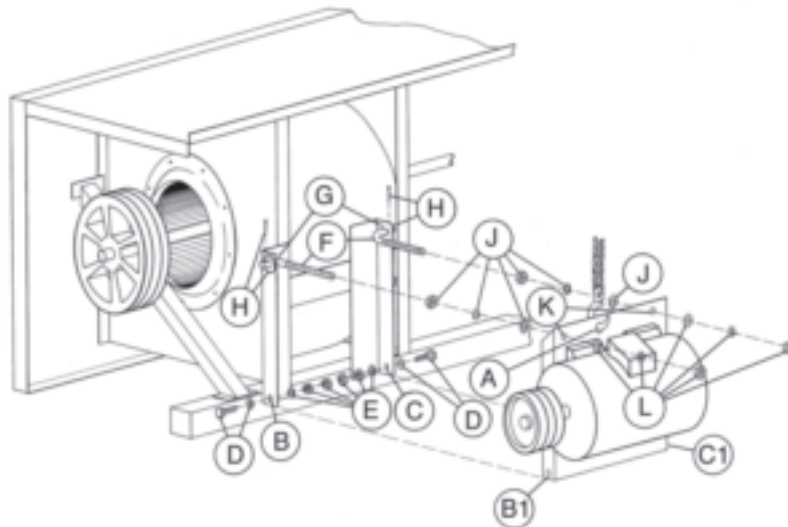


Figure 20 – Motor Installation

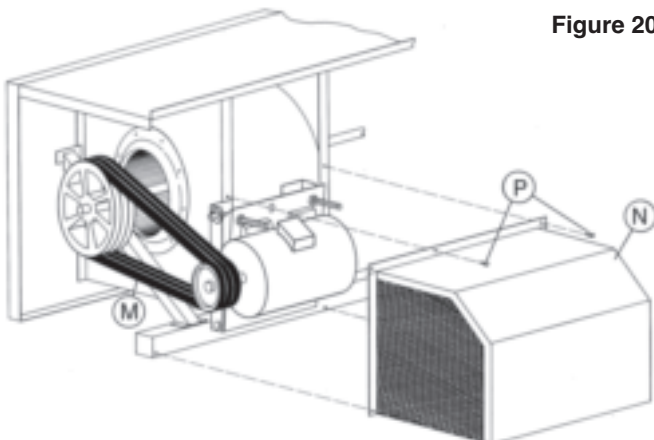


Figure 21 – Motor Guard and Powerband Belt Installation

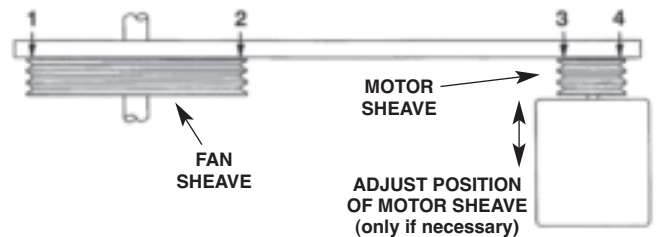


Figure 22 – Sheave Alignment Check



Final Assembly and Start-up Details

Shipping Materials - Remove any wood chocks, spare parts, or miscellaneous items that have been placed inside the unit for shipping purposes. Clean all debris from the basin.

Pump Discharge Line - Connect the riser pipe from the pump discharge on the pan-fan section to the riser pipe on the coil section using the flexible connection and hose clamps provided.

Bleed-off Line - A bleed-off line and valve are installed on the unit when shipped with a pump. On units shipped without a pump (remote sump applications) make sure a bleed-off line and valve are properly sized and installed on the discharge side of the pump and connected to a convenient drain. In either case, the bleed-off valve should be fully open.

Strainer - Check the strainer in the basin to ensure that it is in its proper location over the pump suction.

Screens - Protective air inlet screens are provided across the front of the fan section of all models. Screens are not provided on the bottom of the fan section since most of the units are mounted on steel beams, either on the roof or at ground level. If units are installed in an elevated position, bottom screens are recommended for safety protection and should be provided by the installing contractor.

Float Valve Adjustment - The float valve is pre-set at the factory, however adjustment should be checked after rigging. The float valve should be adjusted so that the center of the float is 1" below the center of the overflow connections when the valve is in the fully closed position. Raise or lower the float by using the wing nuts on the vertical threaded rod. Do not adjust the horizontal rod. During normal operation, the water level will drop 3" to 4" below the overflow in condensers and coolers. See Table 7 for normal operating level for the LS Series units. **Note: The float valve has an available operating pressure between 20 and 50 psi.**

Fan Rotation - Bump start and check the fans for proper rotation. Directional arrows are placed on the outside of centrifugal fan housings or on the inside of axial fan cylinders. Note, unless the unit has been sized for dry operation, the fan motor will overamp unless the pump is also running.

Pump Rotation - Once the basin is filled with water, bump start and check the pump for proper rotation. Directional arrows are found on the pump impeller housing.

Table 7 – Minimum Operating Level

Unit Footprint	Minimum Level (inches)
4' x 6'	11'
4' x 9'	11'
4' x 12'	11'
4' x 18'	11'
5' x 12'	11'
5' x 18'	11'
8P' x 12'	12'

Unit Footprint	Minimum Level (inches)
8P' x 18'	15'
8P' x 24'	12'
8P' x 36'	15'
10' x 12'	12'
10' x 18'	15'
10' x 24'	12'
10' x 36'	15'



found on the pump impeller housing.

Freeze Protection

The simplest and most effective way of keeping the recirculated water from freezing is to use a remote sump. With a remote sump, when the recirculating water pump is shut off all recirculating water drains back to the sump.

If a remote sump is not being used, pan heaters are available. However, the basin heater will not prevent the external water lines, pump or pump piping from freezing. For installations where water will be left in the basin during freezing conditions, the make-up water supply, overflow and drain lines, as well as the pump and pump piping up to the overflow level must be heat traced and insulated to protect them from damage. Any other connections or accessories at or below the water level must also be heat traced and insulated.

A condenser or cooler cannot be operated dry (fans on, pump off) unless the water is completely drained from the pan. The pan heaters are sized to prevent pan water from freezing only when the fans are turned off.

Water Treatment

Proper water treatment is an essential part of the maintenance required for evaporative cooling equipment. Galvanized equipment should be passivated prior to equipment startup to avoid the formation of white rust. For more information on passivation and white rust, please download a copy of EVAPCO's Engineering Bulletin 36 at www.evapco.com. The spray water and the fluid inside the heat transfer coil should both be maintained with a water treatment program to ensure efficient system operation while maximizing the equipment's service life. For more information on recommended water chemistry for EVAPCO equipment, see the Operation and Maintenance Instructions for this equipment.

Maintenance

Once the installation is complete and the unit is turned on, it is important that it be properly maintained. Maintenance is not difficult or time-consuming but must be done regularly to assure full performance of the unit. Refer to the operation and maintenance instructions supplied with the unit for proper maintenance procedures.



Accessory Location Checklist

Accessories can ship in a variety of locations depending on the type of accessory, the size of the unit and the accessories purchased with the unit. See Table 11 for a guide to accessory location.

Table 11 – Unit Accessory Shipping Location

Unit Accessories	Shipping Location
Aluminum Ladder	Shipping Location is Unit and Accessory Dependent - If Space is Available: Strapped Inside Unit Basin - If No Space is Available: Shipped Separately on Truck Bed
Discharge Attenuation	Shipping Location is Unit Dependent - 4' Wide Units: Shipped Separately on Truck Bed - 8' Wide Units and Larger: Mounted Loosely Bolted on Basin or Coil Casing
Discharge Hood with Dampers	Shipping Location is Unit Dependent - 4' Wide Units: Shipped Separately on Truck Bed - 8' Wide Units and Larger: Mounted Loosely Bolted on Basin or Coil Casing
Electric Basin Heater	Shipping Location is Unit Dependent - End Mounted Heater: Installed in Unit Basin - Side Mounted Heater: Strapped Inside Unit Basin
Electric Basin Heater Control Panel	Shipping Location is Dependent on Control Panel Size - If Space is Available: Mounted on Unit Basin - If No Space is Available: Boxed, Wrapped and Wire Tied Inside Unit Basin
Electric Basin Heater Low Water Cutout	Shipped in Rigging Box Strapped Inside Unit Basin
Electric Basin Heater Thermostat	Shipping Location is Unit Dependent - End Mounted Thermostat: Mounted on Unit Basin - Side Mounted Thermostat: Shipped in Rigging Box
Electronic Water Level Control Probes	Mounted in PVC standpipe
Electronic Water Level Control	PVC Standpipe Strapped Inside Unit Basin
Factory Mounted Crossover Piping	Welded to Coil Connections
Fan Screens (If not mounted)	Shipping Location is Unit and Accessory Dependent - If Space is Available: Strapped Inside Unit Basin - If No Space is Available: Crated and Shipped Separately on Truck Bed
Hot Water or Steam Coil	Installed in Unit Basin
Inlet Attenuation	Shipped as a Separate Section
Motor (If not mounted)	Installed In Unit Basin
Remote Sump Trash Screen	Installed In Unit Basin
Rigging Hardware	Shipped in Rigging Box Strapped Inside Unit Basin
Safety Cage	Attached to the Ladder
Sealer Tape	Shipped in Rigging Box Strapped Inside Unit Basin
Sump Sweeper Piping with and without High Flow Eductors	Installed in Unit Basin
Vibration Switch	Mounted in Fan Section



EVAPCO, Inc. • P.O. Box 1300 • Westminster, MD 21158 USA
PHONE: 410-756-2600 • FAX: 410-756-6450 • E-MAIL: marketing@evapco.com

Printed on recycled paper
using soy-based ink