



NEW!

eco-ATC-A

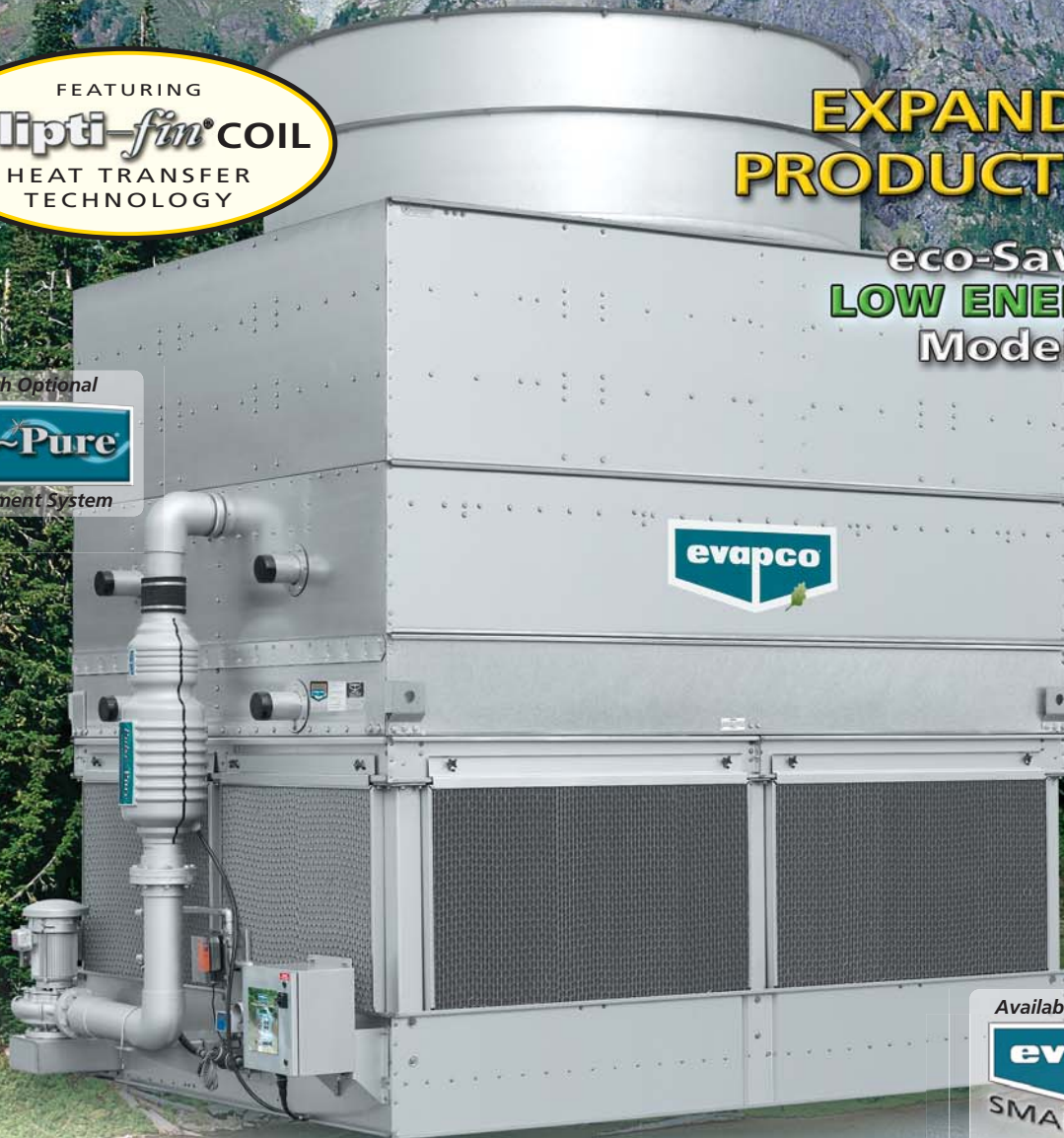
EVAPORATIVE CONDENSERS

FEATURING
Ellipti-fin COIL
HEAT TRANSFER
TECHNOLOGY

**EXPANDED
PRODUCT LINE!**

eco-Saver
LOW ENERGY
Models

Shown with Optional
Pulse~Pure
Water Treatment System



Available with Optional
evapco
SMART SHIELD
Water Treatment System

ENVIRONMENTALLY CONSCIOUS OPERATION

Available in Capacities from 87 to 2,728 Ammonia Tons!



IARW International Association of Refrigerated Warehouses

Member of
iilar
International Institute of Ammonia Refrigeration
www.iilar.org

AHRI Air-Conditioning, Heating, and Refrigeration Institute



eco-ATC-A Design and Construction Features

The eco-ATC-A line of evaporative condensers represents EVAPCO's newest advancement in thermal heat transfer research and development. Utilizing the **Ellipti-fin**® heat transfer coil, the eco-ATC-A offers improved heat transfer during wet operation and offers significant water savings due to extended periods of dry operation. The eco-ATC-A is another chapter in EVAPCO's on-going commitment to quality, environmentally friendly products.

Ellipti-fin® Heat Transfer Technology

- Thermal Pak® coil with extended surface.
 - Water savings through extended periods of dry operation.
 - High heat transfer efficiency.
 - Low refrigerant charge.
- Patent Pending

G-235 Mill Hot-Dip Galvanized Steel Construction

(Stainless steel available as affordable option)



PVC Spray Distribution Header with ZM® II Nozzles

- Large orifice nozzles prevent clogging (no moving parts).
- Redesigned nozzles for superior water distribution.
- Nozzles are threaded into header at proper orientation.
- Fixed position nozzles require zero maintenance.
- Threaded end caps for ease of cleaning.
- Guaranteed for life.



Water Saver Drift Eliminators

- Patented design reduces drift rate to 0.001%.
 - Made from corrosion resistant PVC for long life.
- U.S. Patent No. 6,315,804



Non-Chemical Water Treatment (optional)

- Scale, corrosion and bacteria control.
 - Factory mounted with single source responsibility.
 - Environmentally safe, chemical-free water treatment.
- U.S. Patent No. 7,704,364

Totally Enclosed Pump Motors

- Help assure long, trouble-free operation.



Solid Chemistry Water Treatment (Optional)

- Controlled release chemistry provides uniform treatment over a 30 day period.
 - Factory mounted and wired.
 - Easier and safer, eliminates the potential for liquid spills.
- U.S. Patent No. 8,398,850



Stainless Steel Strainer

- Resists corrosion better than other materials.



Super Low Sound Fan (optional)

- 9-15 dB(A) sound reduction.
- Extremely wide chord fan blades for sound sensitive applications.
- One piece molded heavy duty construction.

Advanced Drive System Design

- Totally Enclosed Fan Motors assures Long Life.
- Power-Band Belts for Better Lateral Rigidity.
- Advanced Design Aluminum Fan Blades.
- Non-corroding Cast Aluminum Sheaves.
- Heavy-Duty Fan Shaft Bearings with L-10 Life of 75,000 - 135,000 hrs.
- All Other Components Corrosion Resistant Materials.
- All Components Covered by 5 Year Warranty.



Easy to Service Motor Mount Design

- All normal maintenance can be performed quickly from outside the unit.
- Designed for easy belt adjustment.
- Extended lube lines for easy bearing lubrication.
- If required, motor may swing to outside for easy removal (10', 12' & 24' wide models).



Unique Field Seam

- Eliminates up to 66% of fasteners.
- Self guiding channels improve quality of field seam to reduce leaks.
- Easy to install.
- Lower installation cost.

Air Inlet Access Door (Optional)

- Increased ease of access to basin.
- Hinged access panel with quick release mechanism.
- Not available on all models.



"Clean Pan" Basin Design

- Access from all four sides.
- Large open area simplifies maintenance.
- Basin may be inspected with pumps running.
- Sloped basin design prevents sediment buildup, biological film and standing water.

WST Framed Inlet Louvers (Water and Sight Tight)

- Framed for easy handling, tighter fit and longer life
- Design keeps sunlight out – preventing biological growth.
- Keeps water in while keeping dirt and debris out.





Since its founding in 1976, EVAPCO, Incorporated has become an industry leader in the engineering and manufacturing of quality heat transfer products around the world. EVAPCO's mission is to provide first class service and quality products for the following markets:

- Industrial Refrigeration
- Commercial HVAC
- Industrial Process
- Power

EVAPCO's powerful combination of financial strength and technical expertise has established the company as a recognized manufacturer of market-leading products on a worldwide basis. EVAPCO is also recognized for the superior technology of their environmentally friendly product innovations in sound reduction and water management.

EVAPCO is an employee owned company with a strong emphasis on research & development and modern manufacturing plants. EVAPCO has earned a reputation for technological innovation and superior product quality by featuring products that are designed to offer these operating advantages:

- Higher System Efficiency
- Environmentally Friendly
- Lower Annual Operating Costs
- Reliable, Simple Operation and Maintenance

With an ongoing commitment to Research & Development programs, EVAPCO provides the most advanced products in the industry – ***Technology for the Future, Available Today!***

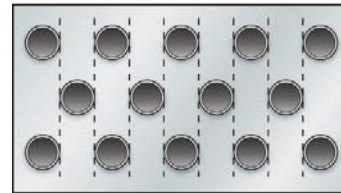


EVAPCO products are manufactured in 17 locations in 9 countries around the world and supplied through a sales network consisting of over 180 offices.

Ellipti-fin® Heat Transfer Coil

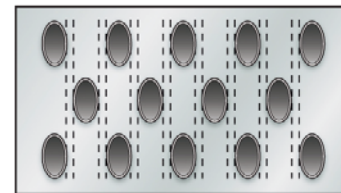
Evolution of Heat Transfer Technology

EVAPCO has a long standing commitment to heat transfer research and development. This commitment has resulted in a number of advancements in heat transfer coil design. Up until the mid-1980's, evaporative condensers were manufactured



Round Tube Coil by Others

with tightly packed round tube coils. Through thousands of hours of testing and research, EVAPCO developed the Thermal Pak® coil. The Thermal Pak® coil was patented in 1987, (now expired), and changed the thinking of system design engineers by changing the shape of the coil tubes. The elliptical tube design maximized the effective tube surface area while lowering airside pressure drop and allowing for higher water loading. The combination of the elliptical shape tube in the Thermal Pak® orientation increased heat transfer efficiency and resulted in one of the highest capacities per plan area of evaporative condensers available today.

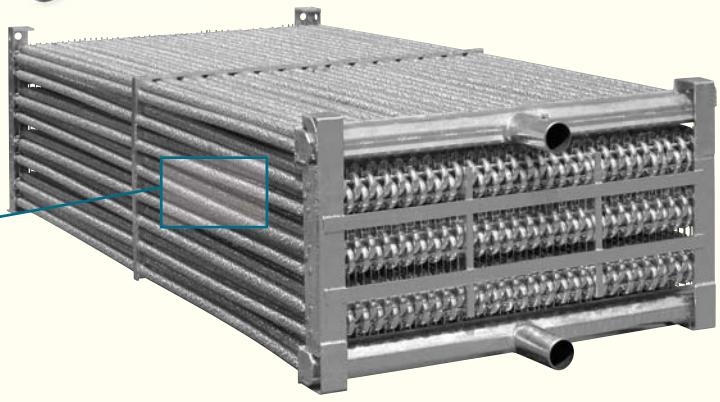
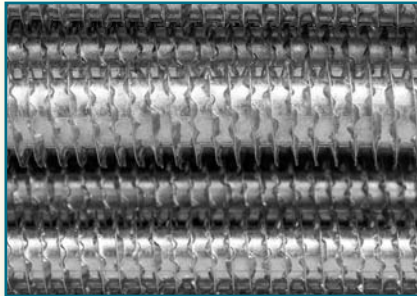


Thermal-Pak® Coil by EVAPCO

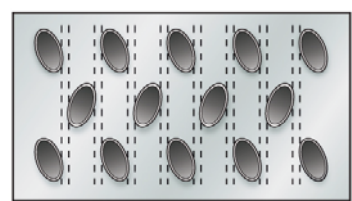
Throughout the late 1980's and into the 1990's EVAPCO was continuously looking for ways to improve heat transfer efficiency. This research resulted in the development of the Thermal Pak® II heat transfer coil. The Thermal Pak® II coil utilized the same elliptical shape tube introduced in the original Thermal Pak coil, but changed the orientation of the tubes to improve the tubes air to water interface for increased heat transfer efficiency.

The development of the Thermal Pak® II coil resulted in a reduction in refrigerant charge as well as a reduction in operating weight through reduced coil volume while maintaining the same thermal performance as the original Thermal Pak® coil design.

NEW
Ellipti-fin® Heat Transfer Coil



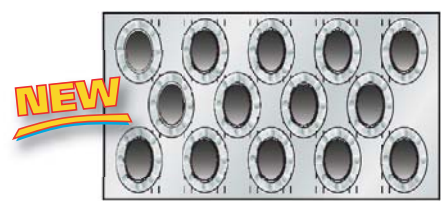
- Elliptical Tubes with Spiral Wound Fins
- Improved Dry and Wet Operation
- All Rows Finned



Thermal-Pak® II Coil by EVAPCO

Research and development is an on-going process at EVAPCO. Through the success of the Thermal Pak II coil, EVAPCO saw the potential for new coil configurations and the need for new manufacturing technology to improve processes and efficiency. During this same time, it became evident that a need exists for more environmentally conscious evaporative cooling products.

EVAPCO used the experience gained through the development of the Thermal Pak and Thermal Pak II heat transfer coils and combined with new manufacturing procedures to develop the **Ellipti-fin®** heat transfer coil. The **Ellipti-fin®** coil utilizes elliptical shape tube with extended surface fins for maximum heat transfer efficiency. **The extended surface increases the heat transfer efficiency in the evaporative or wet mode as well as the dry mode of operation.**



NEW
Ellipti-fin® Finned Elliptical Tube by EVAPCO (Patent Pending)

The **Ellipti-fin®** coil incorporates features of both the Thermal Pak and Thermal Pak II coils as the tubes are oriented vertically yet spaced so as not to increase the airside pressure drop. As such, eco-ATC-A condensers are not subject to the performance penalties normally associated with round tube extended surface coils. Additionally, EVAPCO ensures proper evaporative operation by thoroughly wetting the coil surface with one of the highest water loading rates in the industry for conventional evaporative condensers.

Ellipti-fin® coils are manufactured from high quality carbon steel tubing following the most stringent quality control procedures and in accordance with the ASME B31.5 Refrigerant Piping Code. Each circuit is inspected to assure the material quality and tested before fins are wound onto the surface of the tube. Each circuit is then assembled into a complete coil. Finally, the assembled coil is tested at 390 P.S.I.G. air pressure under water to make sure it is leak free. To protect the coil against corrosion, and complete the bond between tube and fin, the entire assembly is dipped in molten zinc (hot dip galvanized) at a temperature of approximately 800°F.

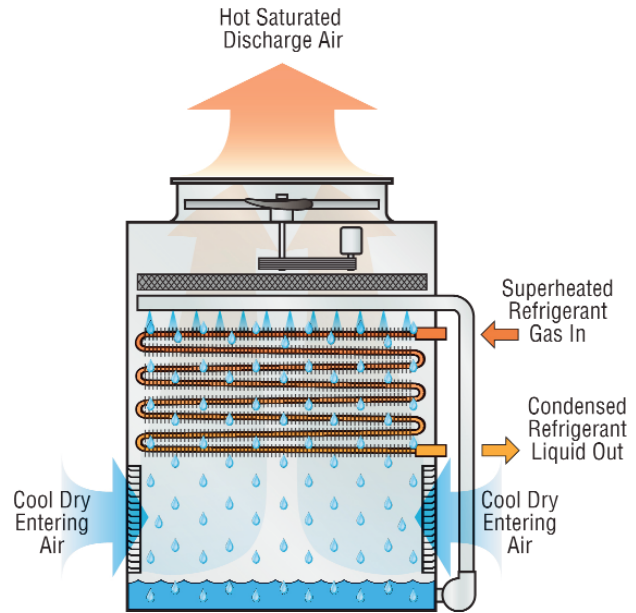
EVAPCO'S new **Ellipti-fin®** condensing coils are designed for maximum heat transfer efficiency. This unique coil design utilizes counterflow heat transfer. The rows of the finned elliptical tubes are positioned vertically in the direction of airflow to enhance turbulence, which increases heat transfer while minimizing airside pressure drop. The design features of EVAPCO'S **Ellipti-fin®** condensing coils ensure the end-user will receive maximized evaporative heat transfer efficiency wet or dry. These characteristics and other engineering advancements of the **Ellipti-fin®** have been proven in EVAPCO'S world-class research and development laboratory.

eco-ATC-A Design Features *Proven Performance and Design Flexibility*

Principle of Operation

Evaporative Mode

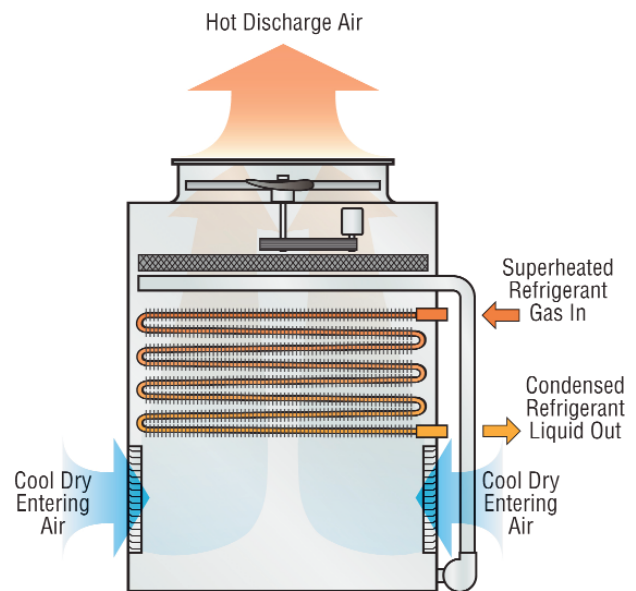
The refrigerant gas is discharged from the compressor into the inlet connection of the eco-ATC-A condenser. Water from the condenser's sump is circulated over the condenser coil, while ambient air is simultaneously drawn into the unit. As the ambient air moves up through the coil section, a portion of the spray water is evaporated into the air stream. The evaporative process cools the spray water, which in turn cools the tubes containing the refrigerant gas. The cool tube walls cause the refrigerant gas to give up heat and condense into a liquid. The condensed liquid flows out of the coil to the high pressure liquid receiver for return to the system. The hot, saturated air is drawn through the drift eliminators, where any entrained water droplets are removed. The condenser's fan then discharges this air stream out of the top of the unit at a high velocity, where it can dissipate harmlessly into the atmosphere. The water which was not evaporated falls into the sump and is recirculated by the spray pump to the water distribution system above the condensing coil section.



eco-ATC-A Evaporative Mode

Dry Mode

The refrigerant gas is discharged from the compressor into the inlet connection of the eco-ATC-A condenser. Ambient air is drawn into the unit and moves over the heat transfer coil. The air is warmed while the tubes containing the refrigerant gas are cooled. The cool tube walls cause the refrigerant gas to give up heat and condense into a liquid. The condensed liquid flows out of the coil to the high pressure liquid receiver for return to the system. The hot discharge air is drawn through the drift eliminators and then the fan then discharges the air stream out of the top of the unit where it can dissipate harmlessly into the atmosphere.



eco-ATC-A Dry Mode

eco-ATC-A Design Features *Proven Performance and Design Flexibility*

Water and Energy Saving with eco-ATC-A Technology

Low Fan Motor Hp

The eco-ATC-A features the new EVAPCO **Ellipti-fin**[®] coil, which utilizes elliptical spiral fin coil technology. This technology allows a 10% to 30% increase in thermal performance, depending on the coil configuration, when operating in the wet or evaporative mode, while offering model selections with reduced fan motor horsepower. This will result in significant energy savings throughout the year.

Reduced Plan Area

Due to the increased thermal performance, new eco-ATC-A also minimizes the footprint required for a given capacity thereby reducing the space required for an evaporative condenser. A smaller footprint means less steel and lower installation costs.

Significant Water Savings

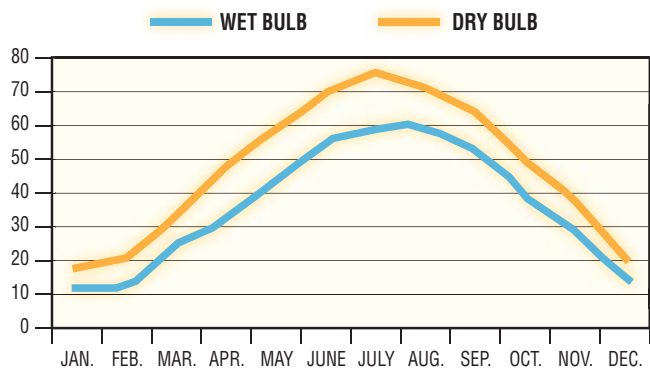
The **Ellipti-fin**[®] coil technology enables the eco-ATC-A to be operated in a 100% Dry Mode at a significantly higher switchover temperature than that of a typical bare tube coil evaporative condenser. This leads to a significant increase in the number of hours per year the condenser can operate in dry mode (spray pumps off), thus increasing your water savings. This combination of features allows the eco-ATC-A to be operated with both energy and water efficiency in mind, making it the ideal choice for many installations.

Consider a meat processing plant application near Minneapolis, MN where the unit is required to reject a constant heat load of 500 tons of refrigeration at a 95°F condensing temperature and a summer design wet bulb temperature of 76°F. The process operates 24 hours a day 7 days a week. The eco-ATC-A evaporative condenser and an ATC-E evaporative condenser are compared as follows:

EVAPCO Model	ATC-723E	eco-ATC-700A
Plan Area	12' x 18'	12' x 18'
Fan Motor	30 hp	20 hp
Pump Motor	7-1/2 hp	7-1/2 hp

Model Comparison

In the previous example, the eco-ATC-A model requires lower fan motor horsepower than the equivalent ATC-E while maintaining the same plan area. The potential for reduced hp during wet operation is only one of the eco-ATC-A benefits. The enhanced dry performance of the eco-ATC-A can be illustrated by using bin weather data for Minneapolis, MN as shown below.



Minneapolis Annual Weather Data

Assuming a load profile requiring full 70% heat rejection requirement for a full time operation of the refrigeration system yields the following comparison between the eco-ATC-A and the ATC:

EVAPCO Model	ATC-723-1g	eco-ATC-700A-1g
Plan Area	12' x 18'	12' x 18'
Fan Motor	30 hp	20 hp
Pump Motor	7-1/2 hp	7-1/2 hp
70% Dry Switchover (°F)	-5°F	35.7°F
% Dry Operation/Year	2%	34%

The above example shows the eco-ATC-700A-1g can be operated without spray water 34% of the year while maintaining 70% of the full load capacity. The additional dry operation means less opportunity for freeze-ups, reduced water management costs and reduced water treatment costs.



eco-ATC-A Design Features *Proven Performance and Design Flexibility*

Construction Features

EVAPCO, long known for using premium materials of construction, has developed the ultimate system for corrosion protection in galvanized steel construction – the EVAPCOAT Corrosion Protection System. Marrying corrosion free materials with heavy gauge mill hot-dip galvanized steel construction to provide the longest life product with the best value.

G-235 Mill Hot-Dip Galvanized Steel Construction

Mill hot-dip galvanized steel has been successfully used for over 40 years for the protection of evaporative condensers against corrosion. There are various grades of mill galvanized steel each with differing amounts of zinc protection. EVAPCO has been a leader in the industry in developing heavier galvanizing, and was the first to standardize on G-235 mill hot-dip galvanized steel.

G-235 designation means there is a minimum of 2.35 ounces of zinc per square foot of surface area as measured in a triple spot test. G-235 is the heaviest level of galvanizing available for manufacturing evaporative condensers and has a minimum of 12% more zinc protection than competitive designs using G-210 steel.

During fabrication, all panel edges are coated with a 95% pure zinc-rich compound for extended corrosion resistance.

Type 304 Stainless Steel Strainers

Subjected to excessive wear and corrosion, the sump strainer is critical to the successful operation of the condenser. EVAPCO uses only stainless steel for this very important component.

Unique Seam Design—Eliminate Field Leaks

The eco-ATC-A features EVAPCO's unique panel construction design which includes a special butyl tape sealer with an integral sealing gasket. Each joint is then backed with a secondary caulking compound and encased in a double-brake flange for added strength and structural integrity. This unique sealing system has been proven effective in both laboratory tests and years of field application.

Easy Field Assembly

The eco-ATC-A features a unique field seam design which ensures easier assembly and fewer field seam leaks. The field seam incorporates self-guiding channels to guide the coil casing section into position and set in place on the bottom basin section of the condenser. In addition, the design eliminates up to 66% of the fasteners typically used to join the condenser sections in the field significantly reducing the contractor labor costs for installation.



Improved Maintenance

ZM® II Spray Nozzle Water Distribution System

Even and constant water distribution is paramount for reliable, scale-free evaporative condensing. EVAPCO'S *Zero Maintenance* ZM® II Spray Nozzle remains clog-free under the toughest conditions to deliver approximately 6 GPM to every square foot of coil plan area.

The heavy-duty ABS ZM® II Spray Nozzles have a 1-1/4" diameter opening and a 1-1/4" splash plate clearance. The fixed position ZM® II Spray Nozzles are mounted in corrosion-free PVC water distribution pipes that have threaded end caps. Together, these elements combine to provide enhanced water droplet formation, delivered uniformly over the coil resulting in superior thermal performance and a virtually maintenance free water distribution system.



ZM® II Nozzle

Alternate Materials of Construction

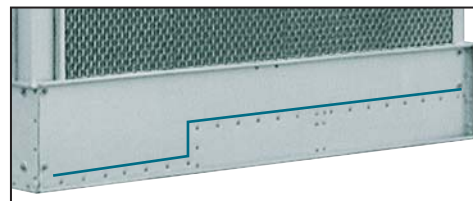
EVAPCO induced draft condensers have a modular design which allows for specific areas to be enhanced for increased corrosion protection. For particularly corrosive environments, EVAPCO condensers are available with Stainless Steel construction for the basin, casing and/or coil.

Stainless Steel Basin

The basin area of a condenser is often subjected to high concentrations of impurities and silt. In addition to the EVAPCOAT Corrosion Protection System, EVAPCO offers optional stainless steel construction for superior corrosion resistance. This option provides Type 304 or Type 316 stainless steel for the entire basin section - including the support columns and air inlet louver frames.

“Clean Pan” Basin Design

EVAPCO eco-ATC-A condensers feature a sloped basin from the upper to lower pan section. This “Clean Pan” design allows the water to be completely drained from the basin. The condenser water will drain from the upper section to the depressed lower pan section where the dirt and debris can be easily flushed out through the drain. This design helps prevent buildup of sedimentary deposits, biological films and minimizes standing water.



eco-ATC-A Design Features *Proven Performance and Design Flexibility*

Belt Drive Units – 8-1/2’ & 17’ Wide Models

The fan motor and drive assembly on these units is designed to allow easy servicing of the motor and **adjustment of the belt tension from the exterior of the unit**. A T.E.F.C. fan motor is mounted on the outside of these models. A protective cover swings away to allow servicing and belt adjustment. A large hinged access door with a “quick release” latch provides access to the fan section for maintenance.



*External Motor Mount
(with optional ladder)*

Belt Drive Units – 10’, 12’ & 24’ Wide Models

The fan motor and drive assembly is designed to allow easy **servicing of the motor and adjustment of the belt tension from the exterior of the unit**. The T.E.A.O. fan motor is located inside the fan casing on a rugged heavy duty motor base. The innovative motor base also features a unique locking mechanism for a positive adjustment.



Motor Base Assembly

The motor base is designed to swing out through a very large, 14 square foot access opening. This allows for easy servicing of the motor.

Drive System

Inverter Duty Motors: Inverter Duty Motors are standard on eco-ATC-A condensers. Inverter Duty motors are totally enclosed premium efficiency and inverter capable (VFD by others).

Note: Variable Frequency Drive control may require other component modification such as motor shaft grounding brushes, AC load reactors, low pass filters and tuned trap filters to ensure proper motor performance and service life.

Power- Band Drive Belt: The Power-Band is a solid-back, multigroove belt system that has high lateral rigidity. The proven drive system is used on 8’ wide and wider models. The belt is constructed of neoprene with polyester cords. The drive belt is designed for minimum 150% of the motor nameplate horsepower for long life and durability.

Fan Shaft Bearings: The fan shaft bearings in eco-ATC-A units are specially selected for long, trouble-free life. They are rated for an L-10 life of 75,000 to 135,000 hours and are the heaviest pillow block bearing available.

Aluminum Alloy Sheaves: Fan sheaves are constructed of corrosion free aluminum for long life, eliminating the corrosion that occurs on cast steel sheaves, thereby extending belt life.

Five Year Drive Warranty: All drive components on eco-ATC-A units are covered by EVAPCO’s exclusive 5 year drive warranty - including fan motors and belts!

Superior Water Saver Drift Eliminators

An extremely efficient drift eliminator system is standard on EVAPCO condensers. The patented system removes entrained water droplets from the air stream to limit the drift rate to less than 0.001% of the recirculating water rate. The drift eliminators are constructed of an inert polyvinyl chloride (PVC) plastic material which effectively eliminates corrosion of these vital components. They are assembled in sections to facilitate easy removal for inspection of the water distribution system.



Water Saver Drift Eliminator

Superior WST Framed Air Inlet Louver Design

EVAPCO’S WST Framed Inlet Louvers keep water in and sunlight out of the basins of induced draft products. The unique non-planar design is made from light-weight PVC sections which easily fit together and have no loose hardware, enabling easy basin access. (Patent Pending)



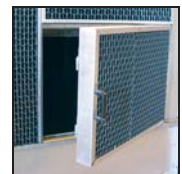
Framed Inlet Louver Design

Developed with computational fluid dynamics (CFD) software and tested in EVAPCO’s R&D center, the louver’s air channels are optimized to maintain fluid dynamic and thermodynamic efficiency and block all line-of-sight paths into the basin eliminating splash-out; even when the fans are off. Additionally, algae growth is minimized by blocking all sunlight.

The combination of rugged frames, easy basin access, no splash-out and minimized algae growth saves the end user money on maintenance hours, water consumption and water treatment costs.

Air Inlet Access Door (Optional)

To aid in basin maintenance, eco-ATC-A models can be equipped with an optional air inlet access door. This feature improves the maintainability of the condenser by allowing easy access to the make-up float assembly and strainer for inspection without removing an entire inlet louver.



IBC Compliance

IBC Compliance

EVAPCO has been applying advanced structural technology to evaporative condensers for many years. Following seismic events in the mid 1990's EVAPCO introduced the UB Series of induced draft cooling towers, fluid coolers and evaporative condensers. These products were designed, built and independently certified for extreme seismic and wind forces. With the advent of the International Building Code, EVAPCO is now offering a new line of eco-ATC-A Evaporative Condensers that is IBC compliant as standard construction.

International Building Code

The International Building Code (IBC) is a comprehensive set of regulations addressing the structural design and installation requirements for building systems – including HVAC and industrial refrigeration equipment. As of June 2008, all 50 states plus Washington D.C have adopted the International Building Code. Compared to previous building codes that solely examined anchorage, the earthquake provisions contained within the International Building Code address anchorage, structural integrity, and operational capability of a component following a seismic event. The goal of the IBC is to minimize the loss of life and improve the capability of essential facilities to operate after a seismic event.

The International Building Code (IBC) was developed to replace the *BOCA National Building Code*, *ICBO's Uniform Building Code* and *SBCCI's Standard Building Code*. The International Building Code specifies that all components be designed to resist the equivalent seismic forces as the structure to which they are installed whereas previous building codes focused exclusively on the structure of the building to provide resistance against seismic forces. These components include all aspects of the building architectural, electrical and mechanical systems. The failure of these components during a seismic event has been a common occurrence in recent history. Although the structure of the building may be relatively undamaged from an earthquake, the damage to the nonstructural components could be significant and result in considerable secondary damage to the building (ie. flooding, fire, structural damage).

Seismic Design

The IBC specifies that all installed components must meet the requirements of ASCE 7-10 (American Society of Civil Engineers, *Minimum Design Loads for Buildings and Other Structures*). Exemptions noted in the code are for all mechanical components assigned to seismic design categories A or B. ASCE 7-10 explicitly states that in addition to the attachment and supports, the component itself must be designed to withstand the seismic

forces prescribed in the code. Simply stated, the code provisions require that evaporative cooling equipment and all other components permanently installed on a structure must meet the same seismic design criteria as the building.

The seismic design force, utilized for component design, represents an equivalent static force that is applied to the components' center of gravity as described in the following equation:

$$F_p = [(0.4 * (a_p) * (S_{DS}) * (W_p)) / (R_p / I_p)] * (1 + 2 * (z / h))$$

F_p = Seismic Design Force centered at the component's center of gravity

S_{DS} = Design spectral response acceleration, short period

a_p = Component amplification factor

I_p = Component importance factor

W_p = Component operating weight

R_p = Component response modification factor

z = Height in structure of point of attachment of component with respect to the base

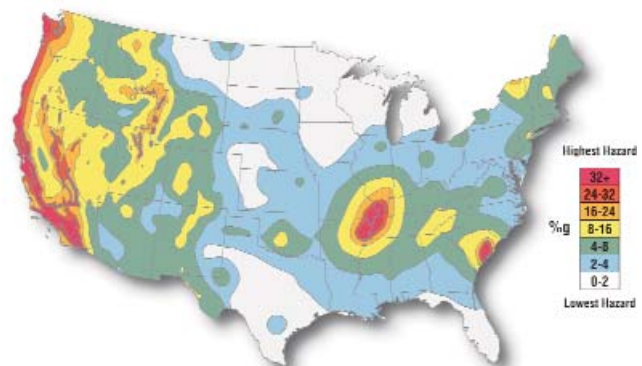
h = Average roof height of structure with respect to the base

The minimum and maximum design force limits are specified as:

$$F_{p-min} = 0.3 S_{DS} I_p W_p$$

$$F_{p-max} = 1.6 S_{DS} I_p W_p$$

A series of charts and graphs are used to determine the appropriate factors based on the location of the installation and ultimately the "importance" of the facility. A chart of the potential seismic activity in the United States is shown below.



Map courtesy US Geological Survey website

IBC Compliance

Importance Factor (I_p)

A major parameter that must be determined prior to calculating the seismic design force is the component importance factor (I_p). ASCE 7-10 defines the component importance factor as:

Importance Factor, I_p	Classification
1.5	<ul style="list-style-type: none"> Life safety component required to function after seismic event. Component containing hazardous content where the quantity, if released, exceeds a threshold limit that is sufficient to pose a threat to the public. Components installed at Risk Category IV (essential) facilities
1.0	All other components

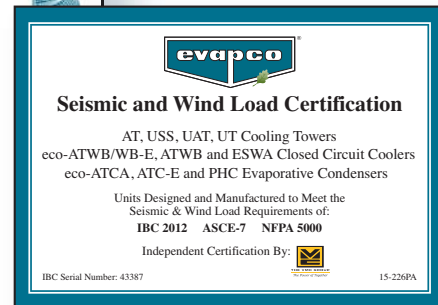
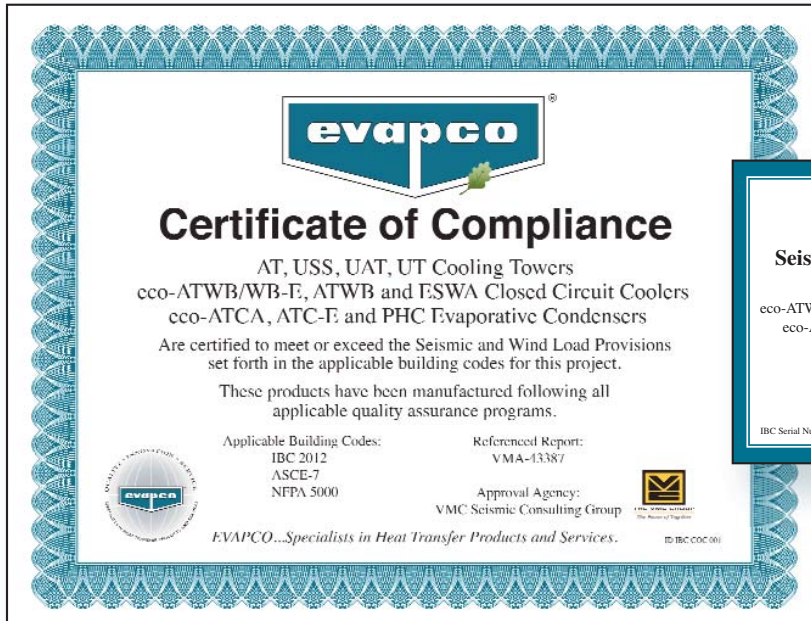
According to ASCE 7-10, Section 13.1.3, components containing hazardous contents that could release an amount in excess of code limits require an importance factor of 1.5. However, per ASCE 7-10, Section 1.5.3, the importance factor may be reduced to 1.0 should the authority having jurisdiction deem an acceptable Risk Management Program (RMP) would limit a release such that the release would not pose a threat to the public. The importance factor has significant impact on the design of the equipment necessary for the application. Please contact the factory for assistance in understanding your needs.

Design Implementation

In order to achieve this goal, an architect or civil engineer is responsible for analyzing the soil and the design of a structure to determine the factors to be used and provide those in construction documents. A mechanical consulting engineer and/or design build contractor applies these factors to advise the manufacturer on the proper design for the application. EVAPCO takes this information and determines the necessary condenser to meet IBC regulations. The standard eco-ATC-A design is independently certified to meet a seismic design force, F_p , of 1g. For applications that require a more severe seismic duty, EVAPCO offers an optional 5.12g construction design. This process ensures that the mechanical equipment and its components are seismically compliant per the provisions of the International Building Code.

Independent Certification

As required by the International Building Code, EVAPCO supplies a certificate of compliance as part of its submittal documents. The certificate of compliance should demonstrate that the equipment/unit has been independently tested and analyzed in accordance with the IBC program. Evapco has worked closely with Tobolski Watkins Engineering, Inc., a Certified Seismic Qualification Agency, to complete the independent equipment testing and analysis. A sample of the certificate of compliance and unit label is presented below:





Engineering Dimensions & Data

eco-ATC-122A-1g to eco-ATC-263A-1g

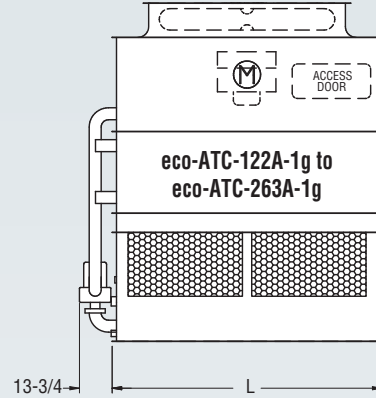
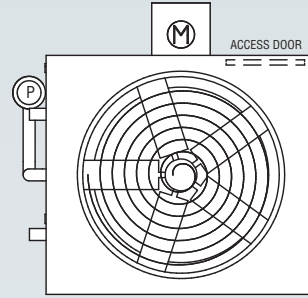
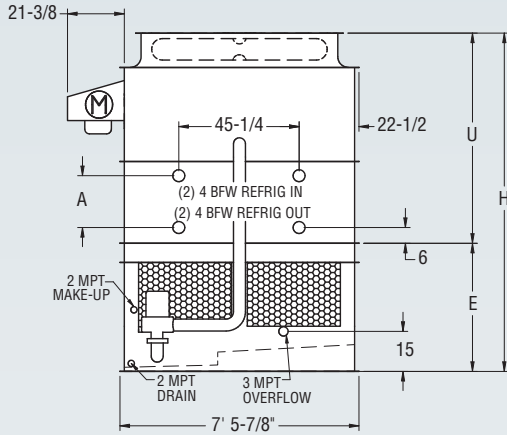


Table 1 Engineering Data

Model No.	R-717 Tons*	Fans		Weights†			Refrigerant Operating Charge lbs.***	Coil Volume ft ³	Spray Pump		Remote Pump		Dimensions					
		HP	CFM	Shipping	Operating	Heaviest Section†			HP	GPM	Gallons Req'd**	Conn. Size	Operating Weight	Height H	Upper U	Lower E	Coil A	Length L
eco-ATC-122A-1g	87	3	26,500	6,739	9,149	5,440	98	13	2	340	220	8"	8,049	9' 11-3/4"	5' 11-1/2"	4' 1/4"	12"	8' 5-1/2"
eco-ATC-138A-1g	98	5	31,400	6,750	9,160	5,450	98	13	2	340	220	8"	8,060	9' 11-3/4"	5' 11-1/2"	4' 1/4"	12"	8' 5-1/2"
eco-ATC-152A-1g	108	7.5	35,900	6,800	9,210	5,500	98	13	2	340	220	8"	8,110	9' 11-3/4"	5' 11-1/2"	4' 1/4"	12"	8' 5-1/2"
eco-ATC-162A-1g	115	10	39,500	6,810	9,220	5,510	98	13	2	340	220	8"	8,120	9' 11-3/4"	5' 11-1/2"	4' 1/4"	12"	8' 5-1/2"
eco-ATC-168A-1g	120	5	30,600	7,980	10,470	6,680	141	19	2	340	220	8"	9,370	10' 7-1/4"	6' 7"	4' 1/4"	19-1/2"	8' 5-1/2"
eco-ATC-180A-1g	128	3	24,300	10,741	13,401	9,441	226	31	2	340	220	8"	12,301	11' 10-1/4"	7' 10"	4' 1/4"	34-1/2"	8' 5-1/2"
eco-ATC-186A-1g	132	7.5	35,000	8,030	10,520	6,730	141	19	2	340	220	8"	9,420	10' 7-1/4"	6' 7"	4' 1/4"	19-1/2"	8' 5-1/2"
eco-ATC-191A-1g	136	5	29,700	9,320	11,900	8,020	183	25	2	340	220	8"	10,800	11' 2-3/4"	7' 2-1/2"	4' 1/4"	27"	8' 5-1/2"
eco-ATC-198A-1g	141	10	38,400	8,040	10,530	6,740	141	19	2	340	220	8"	9,430	10' 7-1/4"	6' 7"	4' 1/4"	19-1/2"	8' 5-1/2"
eco-ATC-203A-1g	144	5	28,800	10,750	13,410	9,450	226	31	2	340	220	8"	12,310	11' 10-1/4"	7' 10"	4' 1/4"	34-1/2"	8' 5-1/2"
eco-ATC-210A-1g	149	7.5	34,000	9,370	11,950	8,070	183	25	2	340	220	8"	10,850	11' 2-3/4"	7' 2-1/2"	4' 1/4"	27"	8' 5-1/2"
eco-ATC-223A-1g	159	10	37,200	9,380	11,960	8,080	183	25	2	340	220	8"	10,860	11' 2-3/4"	7' 2-1/2"	4' 1/4"	27"	8' 5-1/2"
eco-ATC-229A-1g	163	7.5	32,000	12,210	14,950	10,910	269	37	2	340	220	8"	13,850	12' 5-3/4"	8' 5-1/2"	4' 1/4"	42"	8' 5-1/2"
eco-ATC-238A-1g	169	10	36,100	10,810	13,470	9,510	226	31	2	340	220	8"	12,370	11' 10-1/4"	7' 10"	4' 1/4"	34-1/2"	8' 5-1/2"
eco-ATC-243A-1g	173	10	35,000	12,220	14,960	10,920	269	37	2	340	220	8"	13,860	12' 5-3/4"	8' 5-1/2"	4' 1/4"	42"	8' 5-1/2"
eco-ATC-257A-1g	183	15	40,500	10,940	13,600	9,640	226	31	2	340	220	8"	12,500	11' 10-1/4"	7' 10"	4' 1/4"	34-1/2"	8' 5-1/2"
eco-ATC-263A-1g	187	15	39,200	12,350	15,090	11,050	269	37	2	340	220	8"	13,990	12' 5-3/4"	8' 5-1/2"	4' 1/4"	42"	8' 5-1/2"

* Tons at standard conditions: 96.3°F condensing, 20°F suction and 78°F W.B.

** Gallons shown is water in suspension in unit and piping. Allow for additional water in bottom of remote sump to cover pump suction and strainer during operation. (12" would normally be sufficient.)

† Heaviest section is the coil section. **Weights shown are for 1g seismic design.**

*** Refrigerant charge is shown for R-717. Multiply by 1.93 for R-22 and 1.98 for R-134a.

Dimensions are subject to change. Do not use for pre-fabrication. Quantity of coil connections subject to change based on refrigerant and design conditions.

eco-Saver Option: (Low Energy)

Engineering Dimensions & Data

eco-ATC-160A-1g to eco-ATC-326A-1g

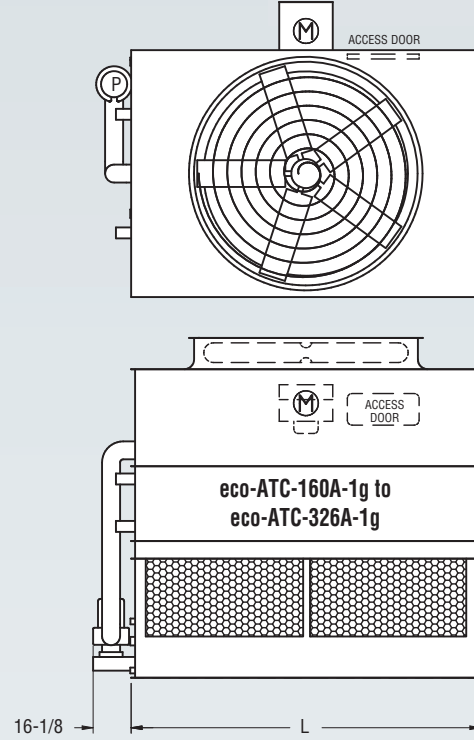
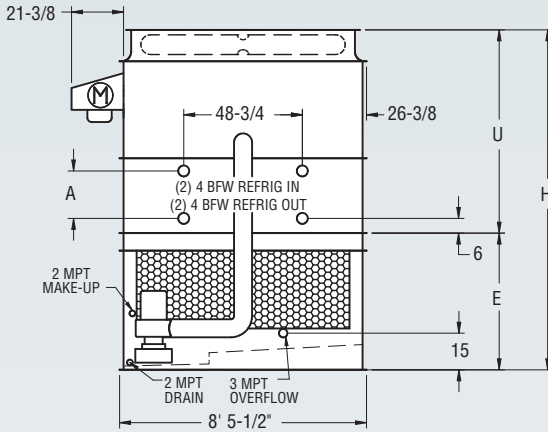


Table 2 Engineering Data

Model No.	R-717 Tons*	Fans		Weights†			Refrigerant Operating Charge lbs.***	Coil Volume ft ³	Spray Pump		Remote Pump			Dimensions				
		HP	CFM	Shipping	Operating	Heaviest Section†			HP	GPM	Gallons Req'd**	Conn. Size	Operating Weight	Height H	Upper U	Lower E	Coil A	Length L
eco-ATC-160A-1g	114	5	34,900	7,859	10,689	6,420	112	15	2	410	250	8"	9,409	10' 7-7/8"	6' 4"	4' 3-7/8"	12"	8' 11-1/2"
eco-ATC-177A-1g	126	7.5	40,000	7,910	10,740	6,470	112	15	2	410	250	8"	9,460	10' 7-7/8"	6' 4"	4' 3-7/8"	12"	8' 11-1/2"
eco-ATC-206A-1g	147	15	50,400	8,050	10,880	6,610	112	15	2	410	250	8"	9,600	10' 7-7/8"	6' 4"	4' 3-7/8"	12"	8' 11-1/2"
eco-ATC-216A-1g	154	7.5	39,500	9,460	12,390	8,020	161	22	2	410	250	8"	11,110	11' 3-3/8"	6' 11-1/2"	4' 3-7/8"	19-1/2"	8' 11-1/2"
eco-ATC-222A-1g	158	5	33,500	11,020	14,040	9,580	210	29	2	410	250	8"	12,760	11' 10-7/8"	7' 7"	4' 3-7/8"	27"	8' 11-1/2"
eco-ATC-232A-1g	165	10	43,500	9,470	12,400	8,030	161	22	2	410	250	8"	11,120	11' 3-3/8"	6' 11-1/2"	4' 3-7/8"	19-1/2"	8' 11-1/2"
eco-ATC-237A-1g	169	5	32,500	12,740	15,850	11,300	260	35	2	410	250	8"	14,570	12' 6-3/8"	8' 2-1/2"	4' 3-7/8"	34-1/2"	8' 11-1/2"
eco-ATC-252A-1g	179	15	48,900	9,600	12,530	8,160	161	22	2	410	250	8"	11,250	11' 3-3/8"	6' 11-1/2"	4' 3-7/8"	19-1/2"	8' 11-1/2"
eco-ATC-262A-1g	186	10	42,200	11,080	14,100	9,640	210	29	2	410	250	8"	12,820	11' 10-7/8"	7' 7"	4' 3-7/8"	27"	8' 11-1/2"
eco-ATC-266A-1g	189	7.5	36,100	14,470	17,680	13,030	309	42	2	410	250	8"	16,400	13' 1-7/8"	8' 10"	4' 3-7/8"	42"	8' 11-1/2"
eco-ATC-278A-1g	198	10	40,900	12,800	15,910	11,360	260	35	2	410	250	8"	14,630	12' 6-3/8"	8' 2-1/2"	4' 3-7/8"	34-1/2"	8' 11-1/2"
eco-ATC-283A-1g	201	15	47,500	11,210	14,230	9,770	210	29	2	410	250	8"	12,950	11' 10-7/8"	7' 7"	4' 3-7/8"	27"	8' 11-1/2"
eco-ATC-285A-1g	203	10	39,700	14,480	17,690	13,040	309	42	2	410	250	8"	16,410	13' 1-7/8"	8' 10"	4' 3-7/8"	42"	8' 11-1/2"
eco-ATC-303A-1g	215	15	46,100	12,930	16,040	11,490	260	35	2	410	250	8"	14,760	12' 6-3/8"	8' 2-1/2"	4' 3-7/8"	34-1/2"	8' 11-1/2"
eco-ATC-309A-1g	220	15	44,600	14,610	17,820	13,170	309	42	2	410	250	8"	16,540	13' 1-7/8"	8' 10"	4' 3-7/8"	42"	8' 11-1/2"
eco-ATC-326A-1g	232	20	48,400	14,670	17,880	13,230	309	42	2	410	250	8"	16,600	13' 1-7/8"	8' 10"	4' 3-7/8"	42"	8' 11-1/2"

* Tons at standard conditions: 96.3°F condensing, 20°F suction and 78°F W.B.
 ** Gallons shown is water in suspension in unit and piping. Allow for additional water in bottom of remote sump to cover pump suction and strainer during operation. (12" would normally be sufficient.)
 † Heaviest section is the coil section. **Weights shown are for 1g seismic design.**
 *** Refrigerant charge is shown for R-717. Multiply by 1.93 for R-22 and 1.98 for R-134a.
 Dimensions are subject to change. Do not use for pre-fabrication. Quantity of coil connections subject to change based on refrigerant and design conditions.

eco-Saver Option: (Low Energy)



Engineering Dimensions & Data

eco-ATC-205A-1g to eco-ATC-394A-1g

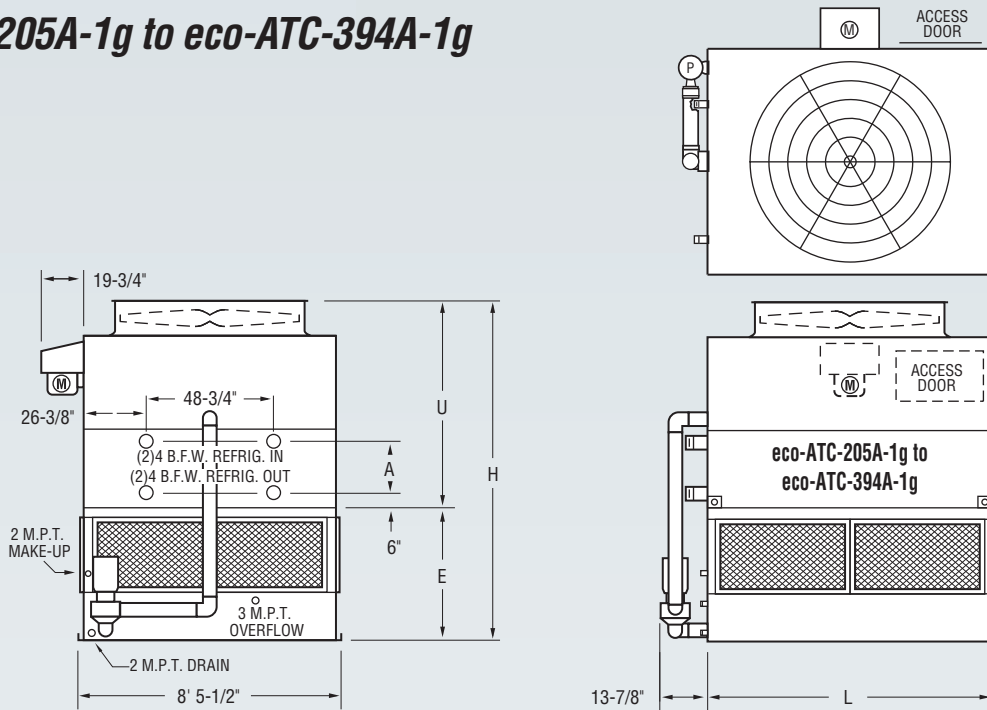


Table 3 Engineering Data

Model No.	R-717 Tons*	Fans		Weights†			Refrigerant Charge lbs.***	Coil Volume ft ³	Spray Pump		Remote Pump			Dimensions				
		HP	CFM	Shipping	Operating	Heaviest Section†			HP	GPM	Gallons Req'd**	Conn. Size	Operating Weight	Height H	Upper U	Lower E	Coil A	Length L
eco-ATC-205A-1g	146	7.5	44,700	9,120	12,460	7,480	129	18	3	500	290	10"	10,950	10' 7-7/8"	6' 4"	4' 3-7/8"	12"	10' 5-1/2"
eco-ATC-219A-1g	156	10	49,200	9,140	12,480	7,500	129	18	3	500	290	10"	10,970	10' 7-7/8"	6' 4"	4' 3-7/8"	12"	10' 5-1/2"
eco-ATC-239A-1g	170	15	56,300	9,260	12,600	7,620	129	18	3	500	290	10"	11,090	10' 7-7/8"	6' 4"	4' 3-7/8"	12"	10' 5-1/2"
eco-ATC-251A-1g	179	7.5	43,800	10,910	14,360	9,270	187	25	3	500	290	10"	12,850	11' 3-3/8"	6' 11-1/2"	4' 3-7/8"	19-1/2"	10' 5-1/2"
eco-ATC-268A-1g	191	10	48,200	10,930	14,380	9,290	187	25	3	500	290	10"	12,870	11' 3-3/8"	6' 11-1/2"	4' 3-7/8"	19-1/2"	10' 5-1/2"
eco-ATC-293A-1g	208	15	54,700	11,050	14,500	9,410	187	25	3	500	290	10"	12,990	11' 3-3/8"	6' 11-1/2"	4' 3-7/8"	19-1/2"	10' 5-1/2"
eco-ATC-301A-1g	214	10	46,800	12,800	16,360	11,160	244	33	3	500	290	10"	14,850	11' 10-7/8"	7' 7"	4' 3-7/8"	27"	10' 5-1/2"
eco-ATC-308A-1g	219	7.5	40,000	16,750	20,530	15,110	359	49	3	500	290	10"	19,020	13' 1-7/8"	8' 10"	4' 3-7/8"	42"	10' 5-1/2"
eco-ATC-321A-1g	228	10	45,400	14,820	18,490	13,180	302	41	3	500	290	10"	16,980	12' 6-3/8"	8' 2-1/2"	4' 3-7/8"	34-1/2"	10' 5-1/2"
eco-ATC-331A-1g	235	15	53,100	12,920	16,480	11,280	244	33	3	500	290	10"	14,970	11' 10-7/8"	7' 7"	4' 3-7/8"	27"	10' 5-1/2"
eco-ATC-351A-1g	249	15	51,500	14,940	18,610	13,300	302	41	3	500	290	10"	17,100	12' 6-3/8"	8' 2-1/2"	4' 3-7/8"	34-1/2"	10' 5-1/2"
eco-ATC-358A-1g	254	15	49,900	16,890	20,670	15,250	359	49	3	500	290	10"	19,160	13' 1-7/8"	8' 10"	4' 3-7/8"	42"	10' 5-1/2"
eco-ATC-371A-1g	264	20	55,900	15,000	18,670	13,360	302	41	3	500	290	10"	17,160	12' 6-3/8"	8' 2-1/2"	4' 3-7/8"	34-1/2"	10' 5-1/2"
eco-ATC-377A-1g	268	20	54,100	16,950	20,730	15,310	359	49	3	500	290	10"	19,220	13' 1-7/8"	8' 10"	4' 3-7/8"	42"	10' 5-1/2"
eco-ATC-394A-1g	280	25	57,600	16,980	20,760	15,340	359	49	3	500	290	10"	19,250	13' 1-7/8"	8' 10"	4' 3-7/8"	42"	10' 5-1/2"

* Tons at standard conditions: 96.3°F condensing, 20°F suction and 78°F W.B.

** Gallons shown is water in suspension in unit and piping. Allow for additional water in bottom of remote sump to cover pump suction and strainer during operation. (12" would normally be sufficient.)

† Heaviest section is the coil section. **Weights shown are for 1g seismic design.**

*** Refrigerant charge is shown for R-717. Multiply by 1.93 for R-22 and 1.98 for R-134a.

Dimensions are subject to change. Do not use for pre-fabrication. Quantity of coil connections subject to change based on refrigerant and design conditions.

eco-Saver Option: (Low Energy)

Engineering Dimensions & Data

eco-ATC-225A-1g to eco-ATC-434A-1g

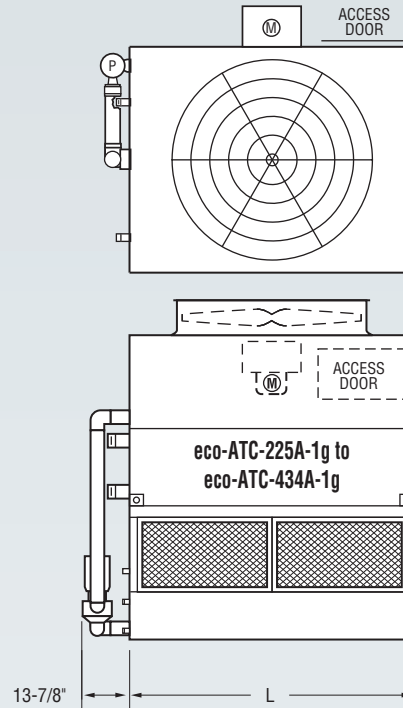
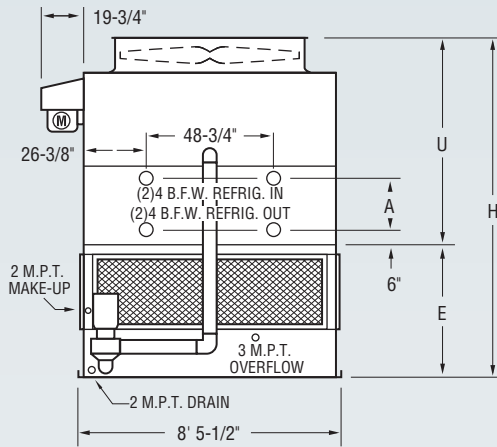


Table 4 Engineering Data

Model No.	R-717 Tons*	Fans		Weights†			Refrigerant Operating Charge lbs.***	Coil Volume ft ³	Spray Pump		Remote Pump			Dimensions				
		HP	CFM	Shipping	Operating	Heaviest Section†			HP	GPM	Gallons Req'd**	Conn. Size	Operating Weight	Height H	Upper U	Lower E	Coil A	Length L
eco-ATC-225A-1g	160	7.5	48,500	9,710	13,630	7,840	146	20	5	570	330	10"	11,850	11' 1/4"	6' 4"	4' 8-1/4"	12"	11' 11-3/4"
eco-ATC-264A-1g	188	15	61,000	9,850	13,770	7,980	146	20	5	570	330	10"	11,990	11' 1/4"	6' 4"	4' 8-1/4"	12"	11' 11-3/4"
eco-ATC-275A-1g	196	7.5	48,000	11,880	15,920	10,010	212	29	5	570	330	10"	14,140	11' 7-3/4"	6' 11-1/2"	4' 8-1/4"	19-1/2"	11' 11-3/4"
eco-ATC-310A-1g	220	7.5	46,600	14,070	18,240	12,200	278	38	5	570	330	10"	16,460	12' 3-1/4"	7' 7"	4' 8-1/4"	27"	11' 11-3/4"
eco-ATC-324A-1g	230	15	60,300	12,020	16,060	10,150	212	29	5	570	330	10"	14,280	11' 7-3/4"	6' 11-1/2"	4' 8-1/4"	19-1/2"	11' 11-3/4"
eco-ATC-329A-1g	234	7.5	45,200	16,240	20,540	14,370	344	47	5	570	330	10"	18,760	12' 10-3/4"	8' 2-1/2"	4' 8-1/4"	34-1/2"	11' 11-3/4"
eco-ATC-332A-1g	236	10	51,200	14,080	18,250	12,210	278	38	5	570	330	10"	16,470	12' 3-1/4"	7' 7"	4' 8-1/4"	27"	11' 11-3/4"
eco-ATC-342A-1g	243	20	65,300	12,080	16,120	10,210	212	29	5	570	330	10"	14,340	11' 7-3/4"	6' 11-1/2"	4' 8-1/4"	19-1/2"	11' 11-3/4"
eco-ATC-359A-1g	255	10	48,200	18,490	22,910	16,620	410	56	5	570	330	10"	21,130	13' 6-1/4"	8' 10"	4' 8-1/4"	42"	11' 11-3/4"
eco-ATC-364A-1g	259	15	58,500	14,210	18,380	12,340	278	38	5	570	330	10"	16,600	12' 3-1/4"	7' 7"	4' 8-1/4"	27"	11' 11-3/4"
eco-ATC-384A-1g	273	20	63,500	14,270	18,440	12,400	278	38	5	570	330	10"	16,660	12' 3-1/4"	7' 7"	4' 8-1/4"	27"	11' 11-3/4"
eco-ATC-396A-1g	281	15	55,000	18,620	23,040	16,750	410	56	5	570	330	10"	21,260	13' 6-1/4"	8' 10"	4' 8-1/4"	42"	11' 11-3/4"
eco-ATC-410A-1g	291	20	61,500	16,440	20,740	14,570	344	47	5	570	330	10"	18,960	12' 10-3/4"	8' 2-1/2"	4' 8-1/4"	34-1/2"	11' 11-3/4"
eco-ATC-426A-1g	303	25	65,500	16,470	20,770	14,600	344	47	5	570	330	10"	18,990	12' 10-3/4"	8' 2-1/2"	4' 8-1/4"	34-1/2"	11' 11-3/4"
eco-ATC-434A-1g	308	25	63,500	18,710	23,130	16,840	410	56	5	570	330	10"	21,350	13' 6-1/4"	8' 10"	4' 8-1/4"	42"	11' 11-3/4"

* Tons at standard conditions: 96.3°F condensing, 20°F suction and 78°F W.B.
 ** Gallons shown is water in suspension in unit and piping. Allow for additional water in bottom of remote sump to cover pump suction and strainer during operation. (12" would normally be sufficient.)
 † Heaviest section is the coil section. **Weights shown are for 1g seismic design.**
 *** Refrigerant charge is shown for R-717. Multiply by 1.93 for R-22 and 1.98 for R-134a.
 Dimensions are subject to change. Do not use for pre-fabrication. Quantity of coil connections subject to change based on refrigerant and design conditions.

eco-Saver Option: (Low Energy)



Engineering Dimensions & Data

eco-ATC-269A-1g to eco-ATC-504A-1g

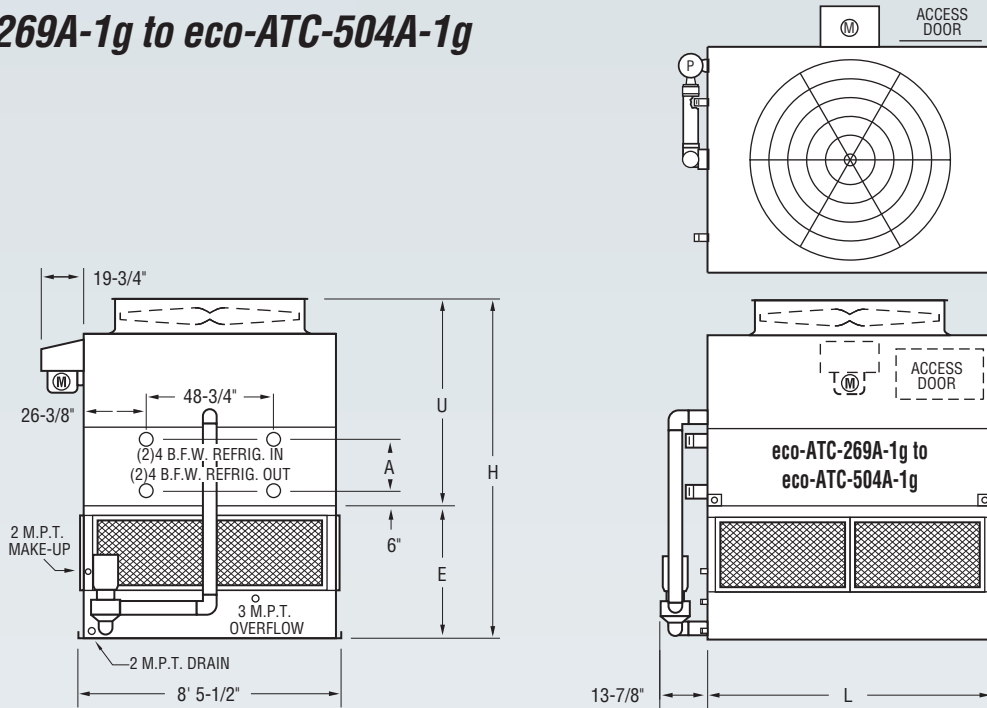


Table 5 Engineering Data

Model No.	R-717 Tons*	Fans		Weights†			Refrigerant Operating Charge lbs.***	Coil Volume ft ³	Spray Pump		Remote Pump		Dimensions					
		HP	CFM	Shipping	Operating	Heaviest Section†			HP	GPM	Gallons Req'd**	Conn. Size	Operating Weight	Height H	Upper U	Lower E	Coil A	Length L
eco-ATC-269A-1g	191	10	59,600	10,970	15,520	8,890	168	23	5	650	380	10"	13,490	11' 1/4"	6' 4"	4' 8-1/4"	12"	13' 11-3/4"
eco-ATC-295A-1g	210	15	68,200	11,100	15,650	9,020	168	23	5	650	380	10"	13,620	11' 1/4"	6' 4"	4' 8-1/4"	12"	13' 11-3/4"
eco-ATC-313A-1g	222	20	75,100	11,160	15,710	9,080	168	23	5	650	380	10"	13,680	11' 1/4"	6' 4"	4' 8-1/4"	12"	13' 11-3/4"
eco-ATC-330A-1g	235	10	58,500	13,500	18,200	11,420	246	33	5	650	380	10"	16,170	11' 7-3/4"	6' 11-1/2"	4' 8-1/4"	19-1/2"	13' 11-3/4"
eco-ATC-372A-1g	264	10	56,800	16,030	20,870	13,950	323	44	5	650	380	10"	18,840	12' 3-1/4"	7' 7"	4' 8-1/4"	27"	13' 11-3/4"
eco-ATC-401A-1g	285	10	53,400	21,170	26,310	19,090	477	65	5	650	380	10"	24,280	13' 6-1/4"	8' 10"	4' 8-1/4"	42"	13' 11-3/4"
eco-ATC-438A-1g	311	15	61,100	21,300	26,440	19,220	477	65	5	650	380	10"	24,410	13' 6-1/4"	8' 10"	4' 8-1/4"	42"	13' 11-3/4"
eco-ATC-449A-1g	319	25	75,500	16,250	21,090	14,170	323	44	5	650	380	10"	19,060	12' 3-1/4"	7' 7"	4' 8-1/4"	27"	13' 11-3/4"
eco-ATC-458A-1g	325	20	68,800	18,760	23,750	16,680	400	54	5	650	380	10"	21,720	12' 10-3/4"	8' 2-1/2"	4' 8-1/4"	34-1/2"	13' 11-3/4"
eco-ATC-467A-1g	332	20	66,600	21,360	26,500	19,280	477	65	5	650	380	10"	24,470	13' 6-1/4"	8' 10"	4' 8-1/4"	42"	13' 11-3/4"
eco-ATC-478A-1g	340	25	73,300	18,790	23,780	16,710	400	54	5	650	380	10"	21,750	12' 10-3/4"	8' 2-1/2"	4' 8-1/4"	34-1/2"	13' 11-3/4"
eco-ATC-504A-1g	358	30	74,700	21,440	26,580	19,360	477	65	5	650	380	10"	24,550	13' 6-1/4"	8' 10"	4' 8-1/4"	42"	13' 11-3/4"

* Tons at standard conditions: 96.3°F condensing, 20°F suction and 78°F W.B.

** Gallons shown is water in suspension in unit and piping. Allow for additional water in bottom of remote sump to cover pump suction and strainer during operation. (12" would normally be sufficient.)

† Heaviest section is the coil section. **Weights shown are for 1g seismic design.**

*** Refrigerant charge is shown for R-717. Multiply by 1.93 for R-22 and 1.98 for R-134a.

Dimensions are subject to change. Do not use for pre-fabrication. Quantity of coil connections subject to change based on refrigerant and design conditions.

eco-Saver Option: (Low Energy)

Engineering Dimensions & Data

eco-ATC-395A-1g to eco-ATC-671A-1g

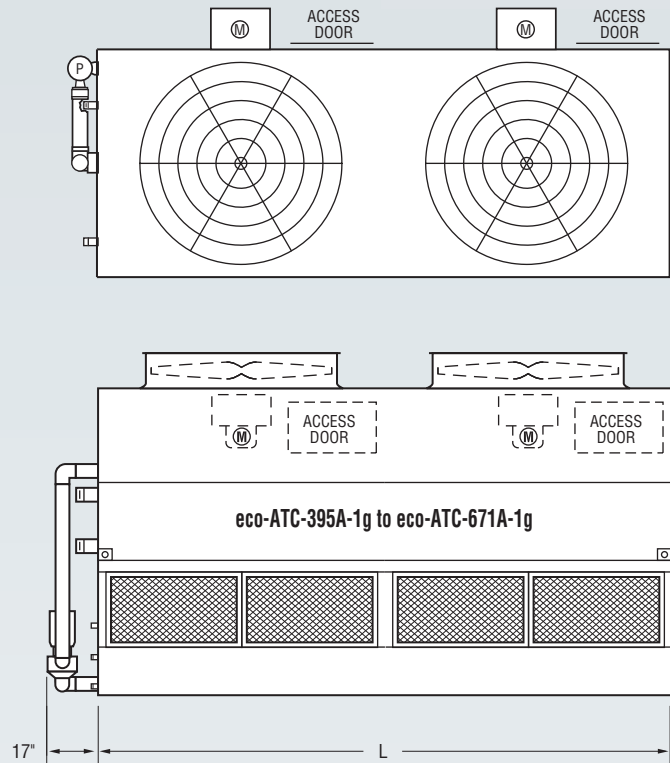
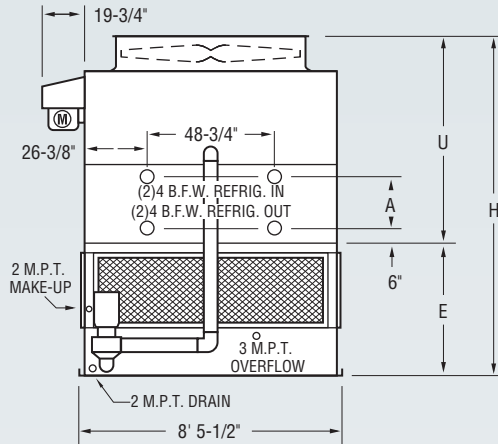


Table 6 Engineering Data

Model No.	R-717 Tons*	Fans		Weights†			Refrigerant Operating Charge lbs.***	Coil Volume ft ³	Spray Pump		Remote Pump			Dimensions				
		HP	CFM	Shipping	Operating	Heaviest Section†			HP	GPM	Gallons Req'd**	Conn. Size	Operating Weight	Height H	Upper U	Lower E	Coil A	Length L
eco-ATC-395A-1g	281	(2) 10	88,400	14,780	20,690	11,990	213	29	5	800	510	12"	18,140	11' 10-3/4"	6' 10-1/2"	5' 1/4"	18-1/2"	18' 0"
eco-ATC-428A-1g	304	(2) 15	101,100	15,030	20,940	12,240	213	29	5	800	510	12"	18,390	11' 10-3/4"	6' 10-1/2"	5' 1/4"	18-1/2"	18' 0"
eco-ATC-483A-1g	343	(2) 10	87,200	18,030	24,140	15,240	313	43	5	800	510	12"	21,590	11' 11-3/4"	6' 11-1/2"	5' 1/4"	19-1/2"	18' 0"
eco-ATC-488A-1g	347	(2) 5	65,300	24,420	30,910	21,630	512	70	5	800	510	12"	28,360	13' 2-3/4"	8' 2-1/2"	5' 1/4"	34-1/2"	18' 0"
eco-ATC-497A-1g	353	(2) 5	63,200	27,789	34,469	25,000	612	83	5	800	510	12"	31,919	13' 10-1/4"	8' 10"	5' 1/4"	42"	18' 0"
eco-ATC-509A-1g	361	(2) 7.5	77,000	21,300	27,600	18,510	412	56	5	800	510	12"	25,050	12' 7-1/4"	7' 7"	5' 1/4"	27"	18' 0"
eco-ATC-525A-1g	373	(2) 15	98,200	18,280	24,390	15,490	313	43	5	800	510	12"	21,840	11' 11-3/4"	6' 11-1/2"	5' 1/4"	19-1/2"	18' 0"
eco-ATC-537A-1g	381	(2) 7.5	74,700	24,520	31,010	21,730	512	70	5	800	510	12"	28,460	13' 2-3/4"	8' 2-1/2"	5' 1/4"	34-1/2"	18' 0"
eco-ATC-546A-1g	388	(2) 10	84,800	21,330	27,630	18,540	412	56	5	800	510	12"	25,080	12' 7-1/4"	7' 7"	5' 1/4"	27"	18' 0"
eco-ATC-576A-1g	409	(2) 10	82,100	24,550	31,040	21,760	512	70	5	800	510	12"	28,490	13' 2-3/4"	8' 2-1/2"	5' 1/4"	34-1/2"	18' 0"
eco-ATC-592A-1g	420	(2) 15	95,300	21,580	27,880	18,790	412	56	5	800	510	12"	25,330	12' 7-1/4"	7' 7"	5' 1/4"	27"	18' 0"
eco-ATC-626A-1g	444	(2) 15	92,500	24,800	31,290	22,010	512	70	5	800	510	12"	28,740	13' 2-3/4"	8' 2-1/2"	5' 1/4"	34-1/2"	18' 0"
eco-ATC-636A-1g	452	(2) 15	89,500	28,170	34,850	25,380	612	83	5	800	510	12"	32,300	13' 10-1/4"	8' 10"	5' 1/4"	42"	18' 0"
eco-ATC-671A-1g	476	(2) 20	97,100	28,290	34,970	25,500	612	83	5	800	510	12"	32,420	13' 10-1/4"	8' 10"	5' 1/4"	42"	18' 0"

* Tons at standard conditions: 96.3°F condensing, 20°F suction and 78°F W.B.
 ** Gallons shown is water in suspension in unit and piping. Allow for additional water in bottom of remote sump to cover pump suction and strainer during operation. (12" would normally be sufficient.)
 † Heaviest section is the coil section. **Weights shown are for 1g seismic design.**
 *** Refrigerant charge is shown for R-717. Multiply by 1.93 for R-22 and 1.98 for R-134a.
 Dimensions are subject to change. Do not use for pre-fabrication. Quantity of coil connections subject to change based on refrigerant and design conditions.

eco-Saver Option: (Low Energy)



Engineering Dimensions & Data

eco-ATC-451A-1g to eco-ATC-804A-1g

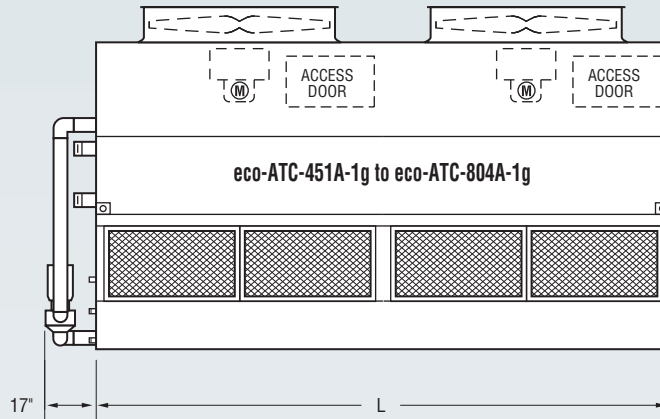
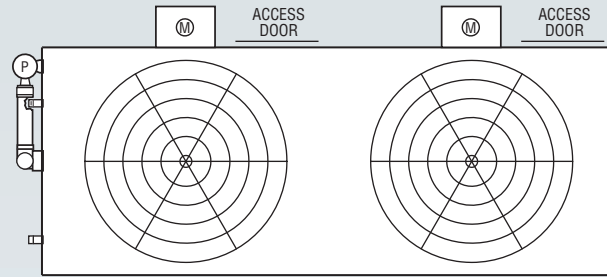
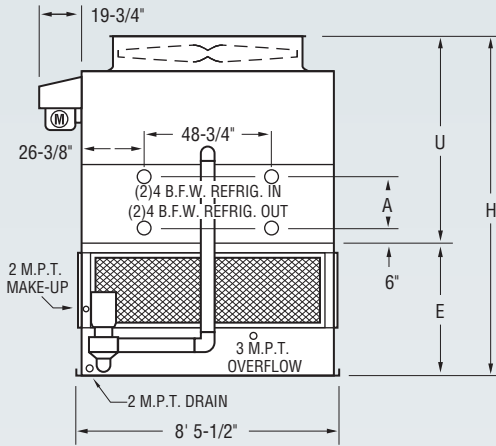


Table 7 Engineering Data

Model No.	R-717 Tons*	Fans		Weights†			Refrigerant Operating Charge lbs.***	Coil Volume ft ³	Spray Pump		Remote Pump			Dimensions				
		HP	CFM	Shipping	Operating	Heaviest Section†			HP	GPM	Gallons Req'd**	Conn. Size	Operating Weight	Height H	Upper U	Lower E	Coil A	Length L
eco-ATC-451A-1g	320	(2) 10	93,500	16,990	23,990	13,890	247	34	7-1/2	1050	590	12"	21,020	11' 4-1/4"	6' 4"	5' 1/4"	12"	21' 0"
eco-ATC-492A-1g	349	(2) 15	107,000	17,240	24,240	14,140	247	34	7-1/2	1050	590	12"	21,270	11' 4-1/4"	6' 4"	5' 1/4"	12"	21' 0"
eco-ATC-518A-1g	368	(2) 7.5	87,900	20,520	27,740	17,420	363	50	7-1/2	1050	590	12"	24,770	11' 11-3/4"	6' 11-1/2"	5' 1/4"	19-1/2"	21' 0"
eco-ATC-551A-1g	391	(2) 10	96,700	20,550	27,770	17,450	363	50	7-1/2	1050	590	12"	24,800	11' 11-3/4"	6' 11-1/2"	5' 1/4"	19-1/2"	21' 0"
eco-ATC-586A-1g	416	(2) 7.5	85,300	24,370	31,820	21,270	480	65	7-1/2	1050	590	12"	28,850	12' 7-1/4"	7' 7"	5' 1/4"	27"	21' 0"
eco-ATC-604A-1g	429	(2) 15	104,100	20,800	28,020	17,700	363	50	7-1/2	1050	590	12"	25,050	11' 11-3/4"	6' 11-1/2"	5' 1/4"	19-1/2"	21' 0"
eco-ATC-624A-1g	443	(2) 10	93,800	24,400	31,850	21,300	480	65	7-1/2	1050	590	12"	28,880	12' 7-1/4"	7' 7"	5' 1/4"	27"	21' 0"
eco-ATC-658A-1g	467	(2) 10	91,100	28,150	35,820	25,050	596	81	7-1/2	1050	590	12"	32,850	13' 2-3/4"	8' 2-1/2"	5' 1/4"	34-1/2"	21' 0"
eco-ATC-669A-1g	475	(2) 10	88,200	32,060	39,950	28,960	713	97	7-1/2	1050	590	12"	36,980	13' 10-1/4"	8' 10"	5' 1/4"	42"	21' 0"
eco-ATC-684A-1g	486	(2) 15	101,200	24,650	32,100	21,550	480	65	7-1/2	1050	590	12"	29,130	12' 7-1/4"	7' 7"	5' 1/4"	27"	21' 0"
eco-ATC-720A-1g	511	(2) 15	98,200	28,400	36,070	25,300	596	81	7-1/2	1050	590	12"	33,100	13' 2-3/4"	8' 2-1/2"	5' 1/4"	34-1/2"	21' 0"
eco-ATC-732A-1g	520	(2) 15	95,100	32,310	40,200	29,210	713	97	7-1/2	1050	590	12"	37,230	13' 10-1/4"	8' 10"	5' 1/4"	42"	21' 0"
eco-ATC-758A-1g	538	(2) 20	103,400	28,520	36,190	25,420	596	81	7-1/2	1050	590	12"	33,220	13' 2-3/4"	8' 2-1/2"	5' 1/4"	34-1/2"	21' 0"
eco-ATC-772A-1g	548	(2) 20	100,100	32,430	40,320	29,330	713	97	7-1/2	1050	590	12"	37,350	13' 10-1/4"	8' 10"	5' 1/4"	42"	21' 0"
eco-ATC-804A-1g	571	(2) 25	108,600	32,490	40,380	29,390	713	97	7-1/2	1050	590	12"	37,410	13' 10-1/4"	8' 10"	5' 1/4"	42"	21' 0"

* Tons at standard conditions: 96.3°F condensing, 20°F suction and 78°F W.B.

** Gallons shown is water in suspension in unit and piping. Allow for additional water in bottom of remote sump to cover pump suction and strainer during operation. (12" would normally be sufficient.)

† Heaviest section is the coil section. **Weights shown are for 1g seismic design.**

*** Refrigerant charge is shown for R-717. Multiply by 1.93 for R-22 and 1.98 for R-134a.

Dimensions are subject to change. Do not use for pre-fabrication. Quantity of coil connections subject to change based on refrigerant and design conditions.

eco-Saver Option: (Low Energy)

Engineering Dimensions & Data

eco-ATC-444A-1g to eco-ATC-862A-1g

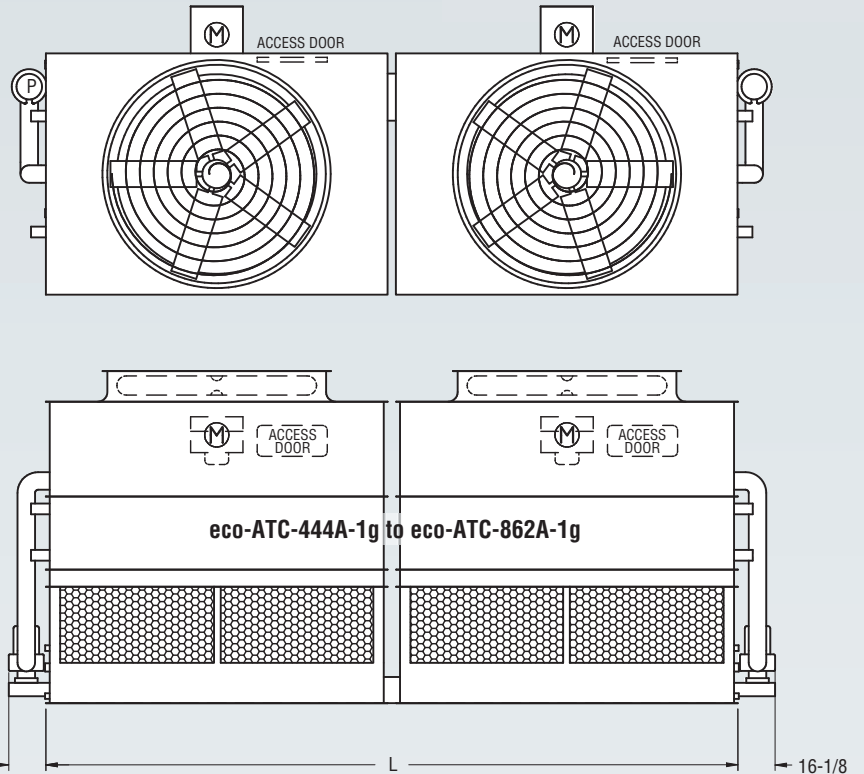
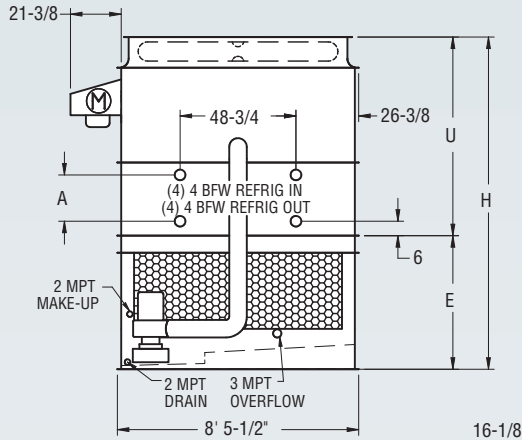


Table 8 Engineering Data

Model No.	R-717 Tons*	Fans		Weights†			Refrigerant Charge lbs.***	Coil Volume ft ³	Spray Pump		Remote Pump			Dimensions				
		HP	CFM	Shipping	Operating	Heaviest Section†			HP	GPM	Gallons Req'd**	Conn. Size	Operating Weight	Height H	Upper U	Lower E	Coil A	Length L
eco-ATC-444A-1g	315	(2) 7.5	96,400	19,420	27,260	7,840	292	40	(2) 5	1140	660	(2) 10"	23,700	11' 4-1/4"	6' 4"	5' 1/4"	12"	24' 2"
eco-ATC-474A-1g	337	(2) 10	106,100	19,440	27,280	7,850	292	40	(2) 5	1140	660	(2) 10"	23,720	11' 4-1/4"	6' 4"	5' 1/4"	12"	24' 2"
eco-ATC-523A-1g	371	(2) 15	121,500	19,700	27,540	7,980	292	40	(2) 5	1140	660	(2) 10"	23,980	11' 4-1/4"	6' 4"	5' 1/4"	12"	24' 2"
eco-ATC-545A-1g	387	(2) 7.5	95,400	23,760	31,840	10,010	424	58	(2) 5	1140	660	(2) 10"	28,280	11' 11-3/4"	6' 11-1/2"	5' 1/4"	19-1/2"	24' 2"
eco-ATC-552A-1g	392	(2) 20	133,700	19,820	27,660	8,040	292	40	(2) 5	1140	660	(2) 10"	24,100	11' 4-1/4"	6' 4"	5' 1/4"	12"	24' 2"
eco-ATC-581A-1g	413	(2) 10	105,000	23,780	31,860	10,020	424	58	(2) 5	1140	660	(2) 10"	28,300	11' 11-3/4"	6' 11-1/2"	5' 1/4"	19-1/2"	24' 2"
eco-ATC-641A-1g	455	(2) 15	120,000	24,040	32,120	10,150	424	58	(2) 5	1140	660	(2) 10"	28,560	11' 11-3/4"	6' 11-1/2"	5' 1/4"	19-1/2"	24' 2"
eco-ATC-654A-1g	464	(2) 10	102,000	28,160	36,500	12,210	556	76	(2) 5	1140	660	(2) 10"	32,940	12' 7-1/4"	7' 7"	5' 1/4"	27"	24' 2"
eco-ATC-664A-1g	471	(2) 7.5	87,100	36,960	45,800	16,610	819	112	(2) 5	1140	660	(2) 10"	42,240	13' 10-1/4"	8' 10"	5' 1/4"	42"	24' 2"
eco-ATC-677A-1g	481	(2) 20	130,000	24,160	32,240	10,210	424	58	(2) 5	1140	660	(2) 10"	28,680	11' 11-3/4"	6' 11-1/2"	5' 1/4"	19-1/2"	24' 2"
eco-ATC-698A-1g	496	(2) 10	98,900	32,500	41,100	14,380	688	94	(2) 5	1140	660	(2) 10"	37,540	13' 2-3/4"	8' 2-1/2"	5' 1/4"	34-1/2"	24' 2"
eco-ATC-768A-1g	545	(2) 15	113,000	32,760	41,360	14,510	688	94	(2) 5	1140	660	(2) 10"	37,800	13' 2-3/4"	8' 2-1/2"	5' 1/4"	34-1/2"	24' 2"
eco-ATC-782A-1g	555	(2) 15	109,500	37,240	46,080	16,750	819	112	(2) 5	1140	660	(2) 10"	42,520	13' 10-1/4"	8' 10"	5' 1/4"	42"	24' 2"
eco-ATC-812A-1g	576	(2) 20	122,400	32,880	41,480	14,570	688	94	(2) 5	1140	660	(2) 10"	37,920	13' 2-3/4"	8' 2-1/2"	5' 1/4"	34-1/2"	24' 2"
eco-ATC-827A-1g	587	(2) 20	118,800	37,360	46,200	16,810	819	112	(2) 5	1140	660	(2) 10"	42,640	13' 10-1/4"	8' 10"	5' 1/4"	42"	24' 2"
eco-ATC-846A-1g	600	(2) 25	130,400	32,940	41,540	14,600	688	94	(2) 5	1140	660	(2) 10"	37,980	13' 2-3/4"	8' 2-1/2"	5' 1/4"	34-1/2"	24' 2"
eco-ATC-862A-1g	612	(2) 25	126,300	37,420	46,260	16,840	819	112	(2) 5	1140	660	(2) 10"	42,700	13' 10-1/4"	8' 10"	5' 1/4"	42"	24' 2"

* Tons at standard conditions: 96.3°F condensing, 20°F suction and 78°F W.B.

** Gallons shown is water in suspension in unit and piping. Allow for additional water in bottom of remote sump to cover pump suction and strainer during operation. (12" would normally be sufficient.)

† Heaviest section is the coil section. **Weights shown are for 1g seismic design.**

*** Refrigerant charge is shown for R-717. Multiply by 1.93 for R-22 and 1.98 for R-134a.

Dimensions are subject to change. Do not use for pre-fabrication. Quantity of coil connections subject to change based on refrigerant and design conditions.

eco-Saver Option: (Low Energy)



Engineering Dimensions & Data

eco-ATC-590A-1g to eco-ATC-1013A-1g

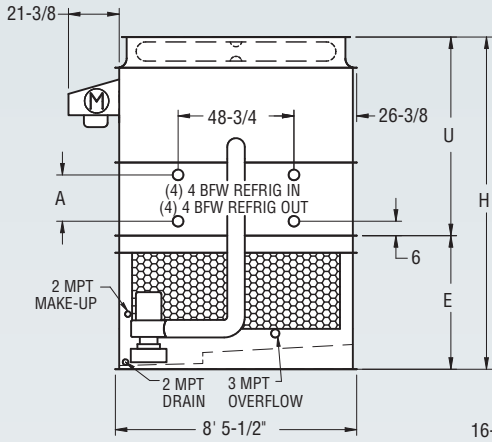
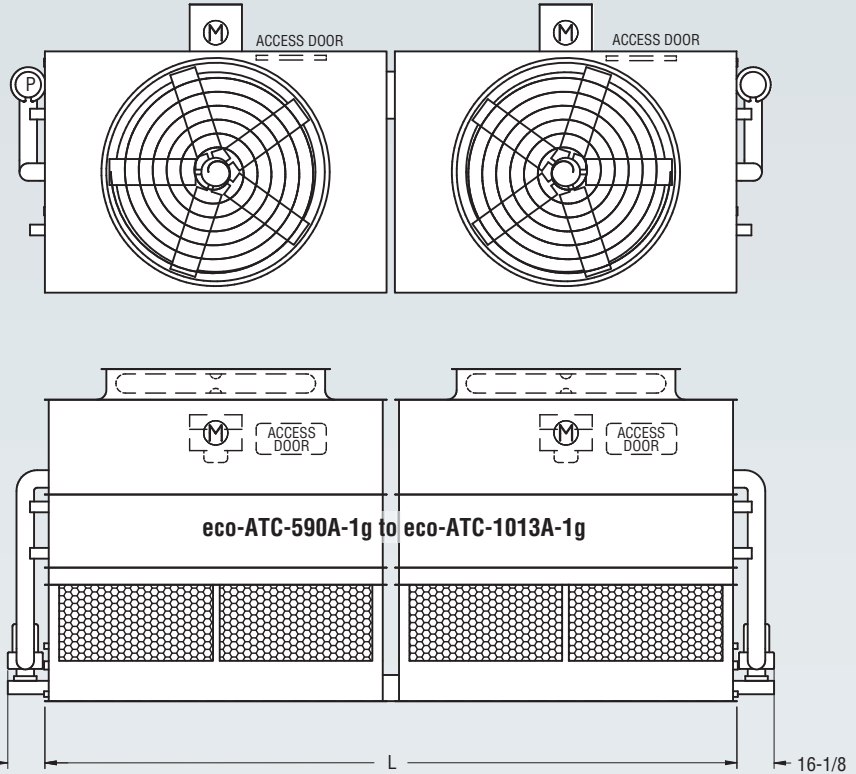


Table 9 Engineering Data

Model No.	R-717 Tons*	Fans		Weights†			Refrigerant Operating Charge lbs.***	Coil Volume ft ³	Spray Pump		Remote Pump		Dimensions					
		HP	CFM	Shipping	Operating	Heaviest Section†			HP	GPM	Gallons Req'd**	Conn. Size	Operating Weight	Height H	Upper U	Lower E	Coil A	Length L
eco-ATC-590A-1g	419	(2) 15	137,700	22,200	31,300	9,020	337	46	(2) 5	1300	760	(2) 10"	27,240	11' 10-1/4"	6' 4"	5' 6-1/4"	12"	28' 2"
eco-ATC-663A-1g	471	(2) 10	118,200	27,000	36,400	11,420	491	67	(2) 5	1300	760	(2) 10"	32,340	12' 5-3/4"	6' 11-1/2"	5' 6-1/4"	19-1/2"	28' 2"
eco-ATC-723A-1g	513	(2) 15	135,400	27,260	36,660	11,550	491	67	(2) 5	1300	760	(2) 10"	32,600	12' 5-3/4"	6' 11-1/2"	5' 6-1/4"	19-1/2"	28' 2"
eco-ATC-749A-1g	532	(2) 10	114,600	32,060	41,740	13,950	645	88	(2) 5	1300	760	(2) 10"	37,680	13' 1-1/4"	7' 7"	5' 6-1/4"	27"	28' 2"
eco-ATC-769A-1g	546	(2) 20	147,500	27,380	36,780	11,610	491	67	(2) 5	1300	760	(2) 10"	32,720	12' 5-3/4"	6' 11-1/2"	5' 6-1/4"	19-1/2"	28' 2"
eco-ATC-793A-1g	563	(2) 10	111,300	37,140	47,120	16,490	800	109	(2) 5	1300	760	(2) 10"	43,060	13' 8-3/4"	8' 2-1/2"	5' 6-1/4"	34-1/2"	28' 2"
eco-ATC-807A-1g	573	(2) 10	107,900	42,340	52,620	19,090	954	130	(2) 5	1300	760	(2) 10"	48,560	14' 4-1/4"	8' 10"	5' 6-1/4"	42"	28' 2"
eco-ATC-817A-1g	580	(2) 15	131,200	32,320	42,000	14,080	645	88	(2) 5	1300	760	(2) 10"	37,940	13' 1-1/4"	7' 7"	5' 6-1/4"	27"	28' 2"
eco-ATC-868A-1g	616	(2) 20	143,400	32,440	42,120	14,140	645	88	(2) 5	1300	760	(2) 10"	38,060	13' 1-1/4"	7' 7"	5' 6-1/4"	27"	28' 2"
eco-ATC-882A-1g	626	(2) 15	123,500	42,600	52,880	19,220	954	130	(2) 5	1300	760	(2) 10"	48,820	14' 4-1/4"	8' 10"	5' 6-1/4"	42"	28' 2"
eco-ATC-907A-1g	644	(2) 25	152,600	32,500	42,180	14,170	645	88	(2) 5	1300	760	(2) 10"	38,120	13' 1-1/4"	7' 7"	5' 6-1/4"	27"	28' 2"
eco-ATC-921A-1g	654	(2) 20	139,000	37,520	47,500	16,680	800	109	(2) 5	1300	760	(2) 10"	43,440	13' 8-3/4"	8' 2-1/2"	5' 6-1/4"	34-1/2"	28' 2"
eco-ATC-938A-1g	666	(2) 20	134,600	42,720	53,000	19,280	954	130	(2) 5	1300	760	(2) 10"	48,940	14' 4-1/4"	8' 10"	5' 6-1/4"	42"	28' 2"
eco-ATC-960A-1g	681	(2) 25	148,000	37,580	47,560	16,710	800	109	(2) 5	1300	760	(2) 10"	43,500	13' 8-3/4"	8' 2-1/2"	5' 6-1/4"	34-1/2"	28' 2"
eco-ATC-978A-1g	694	(2) 25	143,400	42,780	53,060	19,310	954	130	(2) 5	1300	760	(2) 10"	49,000	14' 4-1/4"	8' 10"	5' 6-1/4"	42"	28' 2"
eco-ATC-1013A-1g	719	(2) 30	150,900	42,880	53,160	19,360	954	130	(2) 5	1300	760	(2) 10"	49,100	14' 4-1/4"	8' 10"	5' 6-1/4"	42"	28' 2"

* Tons at standard conditions: 96.3°F condensing, 20°F suction and 78°F W.B.
 ** Gallons shown is water in suspension in unit and piping. Allow for additional water in bottom of remote sump to cover pump suction and strainer during operation. (12" would normally be sufficient.)
 † Heaviest section is the coil section. **Weights shown are for 1g seismic design.**
 *** Refrigerant charge is shown for R-717. Multiply by 1.93 for R-22 and 1.98 for R-134a.
 Dimensions are subject to change. Do not use for pre-fabrication. Quantity of coil connections subject to change based on refrigerant and design conditions.

eco-Saver Option: (Low Energy)

Engineering Dimensions & Data

eco-ATC-441A-1g to eco-ATC-857A-1g

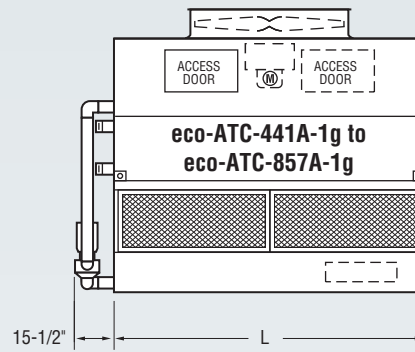
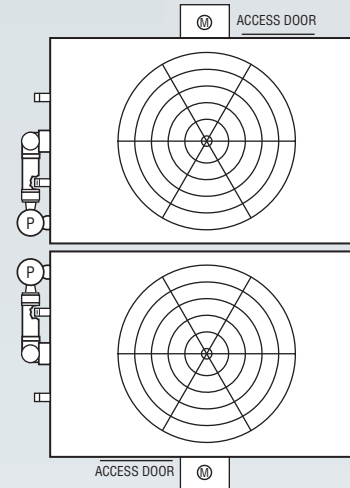
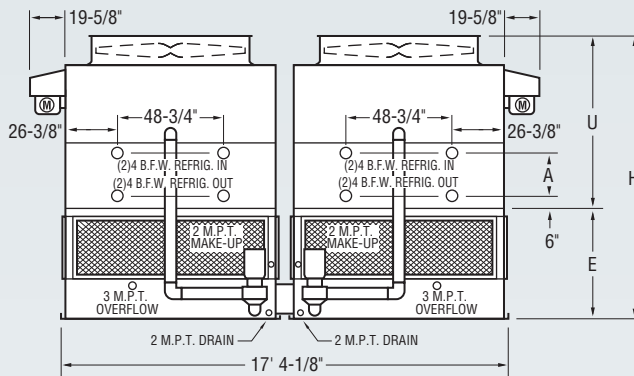


Table 10 Engineering Data

Model No.	R-717 Tons*	Fans		Weights†			Refrigerant Operating Charge lbs.***	Coil Volume ft ³	Spray Pump		Remote Pump			Dimensions				
		HP	CFM	Shipping	Operating	Heaviest Section†			HP	GPM	Gallons Req'd**	Conn. Size	Operating Weight	Height H	Upper U	Lower E	Coil A	Length L
eco-ATC-441A-1g	313	(2) 7.5	95,900	19,420	27,260	7,840	292	40	(2) 5	1140	660	(2) 10"	23,700	11' 4-1/4"	6' 4"	5' 1/4"	12"	11' 11-3/4"
eco-ATC-473A-1g	336	(2) 10	105,600	19,440	27,280	7,850	292	40	(2) 5	1140	660	(2) 10"	23,720	11' 4-1/4"	6' 4"	5' 1/4"	12"	11' 11-3/4"
eco-ATC-542A-1g	385	(2) 7.5	95,000	23,760	31,840	10,010	424	58	(2) 5	1140	660	(2) 10"	28,280	11' 11-3/4"	6' 11-1/2"	5' 1/4"	19-1/2"	11' 11-3/4"
eco-ATC-550A-1g	391	(2) 20	133,000	19,820	27,660	8,040	292	40	(2) 5	1140	660	(2) 10"	24,100	11' 4-1/4"	6' 4"	5' 1/4"	12"	11' 11-3/4"
eco-ATC-580A-1g	412	(2) 10	104,500	23,780	31,860	10,020	424	58	(2) 5	1140	660	(2) 10"	28,300	11' 11-3/4"	6' 11-1/2"	5' 1/4"	19-1/2"	11' 11-3/4"
eco-ATC-608A-1g	432	(2) 7.5	92,200	28,140	36,480	12,200	556	76	(2) 5	1140	660	(2) 10"	32,920	12' 7-1/4"	7' 7"	5' 1/4"	27"	11' 11-3/4"
eco-ATC-638A-1g	453	(2) 15	119,400	24,040	32,120	10,150	424	58	(2) 5	1140	660	(2) 10"	28,560	11' 11-3/4"	6' 11-1/2"	5' 1/4"	19-1/2"	11' 11-3/4"
eco-ATC-649A-1g	461	(2) 7.5	89,400	32,480	41,080	14,370	688	94	(2) 5	1140	660	(2) 10"	37,520	13' 2-3/4"	8' 2-1/2"	5' 1/4"	34-1/2"	11' 11-3/4"
eco-ATC-653A-1g	464	(2) 10	101,500	28,160	36,500	12,210	556	76	(2) 5	1140	660	(2) 10"	32,940	12' 7-1/4"	7' 7"	5' 1/4"	27"	11' 11-3/4"
eco-ATC-673A-1g	478	(2) 20	129,400	24,160	32,240	10,210	424	58	(2) 5	1140	660	(2) 10"	28,680	11' 11-3/4"	6' 11-1/2"	5' 1/4"	19-1/2"	11' 11-3/4"
eco-ATC-693A-1g	492	(2) 10	98,400	32,500	41,100	14,380	688	94	(2) 5	1140	660	(2) 10"	37,540	13' 2-3/4"	8' 2-1/2"	5' 1/4"	34-1/2"	11' 11-3/4"
eco-ATC-718A-1g	510	(2) 15	115,900	28,420	36,760	12,340	556	76	(2) 5	1140	660	(2) 10"	33,200	12' 7-1/4"	7' 7"	5' 1/4"	27"	11' 11-3/4"
eco-ATC-756A-1g	537	(2) 20	125,700	28,540	36,880	12,400	556	76	(2) 5	1140	660	(2) 10"	33,320	12' 7-1/4"	7' 7"	5' 1/4"	27"	11' 11-3/4"
eco-ATC-778A-1g	552	(2) 15	109,000	37,240	46,080	16,750	819	112	(2) 5	1140	660	(2) 10"	42,520	13' 10-1/4"	8' 10"	5' 1/4"	42"	11' 11-3/4"
eco-ATC-808A-1g	574	(2) 20	121,800	32,880	41,480	14,570	688	94	(2) 5	1140	660	(2) 10"	37,920	13' 2-3/4"	8' 2-1/2"	5' 1/4"	34-1/2"	11' 11-3/4"
eco-ATC-842A-1g	598	(2) 25	129,800	32,940	41,540	14,600	688	94	(2) 5	1140	660	(2) 10"	37,980	13' 2-3/4"	8' 2-1/2"	5' 1/4"	34-1/2"	11' 11-3/4"
eco-ATC-857A-1g	608	(2) 25	125,700	37,420	46,260	16,840	819	112	(2) 5	1140	660	(2) 10"	42,700	13' 10-1/4"	8' 10"	5' 1/4"	42"	11' 11-3/4"

* Tons at standard conditions: 96.3°F condensing, 20°F suction and 78°F W.B.
 ** Gallons shown is water in suspension in unit and piping. Allow for additional water in bottom of remote pump suction and strainer during operation. (12" would normally be sufficient.)
 † Heaviest section is the coil section. **Weights shown are for 1g seismic design.**
 *** Refrigerant charge is shown for R-717. Multiply by 1.93 for R-22 and 1.98 for R-134a.
 Dimensions are subject to change. Do not use for pre-fabrication. Quantity of coil connections subject to change based on refrigerant and design conditions.

eco-Saver Option: (Low Energy)



Engineering Dimensions & Data

eco-ATC-528A-1g to eco-ATC-988A-1g

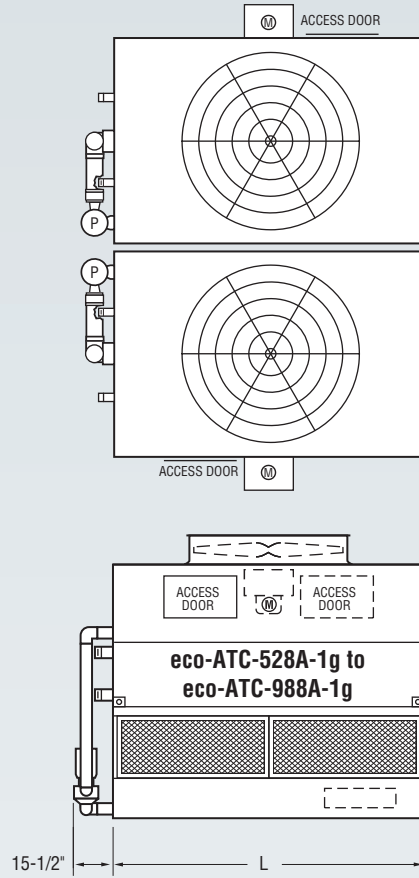
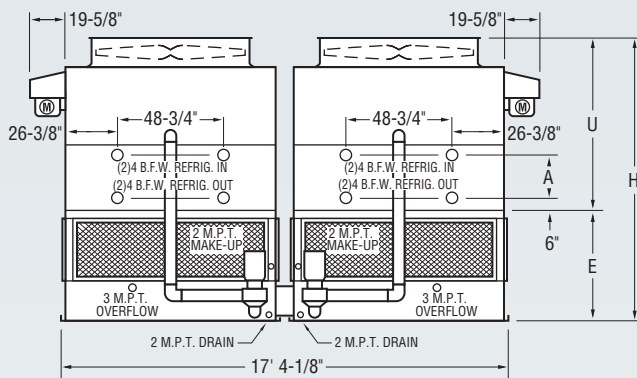


Table 11 Engineering Data

Model No.	R-717 Tons*	Fans		Weights†			Refrigerant Operating Charge lbs.***	Coil Volume ft ³	Spray Pump		Remote Pump			Dimensions				
		HP	CFM	Shipping	Operating	Heaviest Section†			HP	GPM	Gallons Req'd**	Conn. Size	Operating Weight	Height H	Upper U	Lower E	Coil A	Length L
eco-ATC-528A-1g	375	(2) 10	118,000	21,940	31,040	8,890	337	46	(2) 5	1300	760	(2) 10"	26,980	11' 10-1/4"	6' 4"	5' 6-1/4"	12"	13' 11-3/4"
eco-ATC-577A-1g	410	(2) 15	135,000	22,200	31,300	9,020	337	46	(2) 5	1300	760	(2) 10"	27,240	11' 10-1/4"	6' 4"	5' 6-1/4"	12"	13' 11-3/4"
eco-ATC-613A-1g	435	(2) 20	148,600	22,320	31,420	9,080	337	46	(2) 5	1300	760	(2) 10"	27,360	11' 10-1/4"	6' 4"	5' 6-1/4"	12"	13' 11-3/4"
eco-ATC-705A-1g	500	(2) 15	132,700	27,260	36,660	11,550	491	67	(2) 5	1300	760	(2) 10"	32,600	12' 5-3/4"	6' 11-1/2"	5' 6-1/4"	19-1/2"	13' 11-3/4"
eco-ATC-730A-1g	518	(2) 10	112,400	32,060	41,740	13,950	645	88	(2) 5	1300	760	(2) 10"	37,680	13' 1-1/4"	7' 7"	5' 6-1/4"	27"	13' 11-3/4"
eco-ATC-751A-1g	533	(2) 20	144,600	27,380	36,780	11,610	491	67	(2) 5	1300	760	(2) 10"	32,720	12' 5-3/4"	6' 11-1/2"	5' 6-1/4"	19-1/2"	13' 11-3/4"
eco-ATC-773A-1g	549	(2) 10	109,100	37,140	47,120	16,490	800	109	(2) 5	1300	760	(2) 10"	43,060	13' 8-3/4"	8' 2-1/2"	5' 6-1/4"	34-1/2"	13' 11-3/4"
eco-ATC-797A-1g	566	(2) 15	128,600	32,320	42,000	14,080	645	88	(2) 5	1300	760	(2) 10"	37,940	13' 1-1/4"	7' 7"	5' 6-1/4"	27"	13' 11-3/4"
eco-ATC-848A-1g	602	(2) 20	140,500	32,440	42,120	14,140	645	88	(2) 5	1300	760	(2) 10"	38,060	13' 1-1/4"	7' 7"	5' 6-1/4"	27"	13' 11-3/4"
eco-ATC-860A-1g	610	(2) 15	121,000	42,600	52,880	19,220	954	130	(2) 5	1300	760	(2) 10"	48,820	14' 4-1/4"	8' 10"	5' 6-1/4"	42"	13' 11-3/4"
eco-ATC-883A-1g	627	(2) 25	149,600	32,500	42,180	14,170	645	88	(2) 5	1300	760	(2) 10"	38,120	13' 1-1/4"	7' 7"	5' 6-1/4"	27"	13' 11-3/4"
eco-ATC-898A-1g	637	(2) 20	136,200	37,520	47,500	16,680	800	109	(2) 5	1300	760	(2) 10"	43,440	13' 8-3/4"	8' 2-1/2"	5' 6-1/4"	34-1/2"	13' 11-3/4"
eco-ATC-915A-1g	649	(2) 20	132,000	42,720	53,000	19,280	954	130	(2) 5	1300	760	(2) 10"	48,940	14' 4-1/4"	8' 10"	5' 6-1/4"	42"	13' 11-3/4"
eco-ATC-935A-1g	664	(2) 25	145,000	37,580	47,560	16,710	800	109	(2) 5	1300	760	(2) 10"	43,500	13' 8-3/4"	8' 2-1/2"	5' 6-1/4"	34-1/2"	13' 11-3/4"
eco-ATC-954A-1g	677	(2) 25	140,500	42,780	53,060	19,310	954	130	(2) 5	1300	760	(2) 10"	49,000	14' 4-1/4"	8' 10"	5' 6-1/4"	42"	13' 11-3/4"
eco-ATC-988A-1g	701	(2) 30	147,900	42,880	53,160	19,360	954	130	(2) 5	1300	760	(2) 10"	49,100	14' 4-1/4"	8' 10"	5' 6-1/4"	42"	13' 11-3/4"

* Tons at standard conditions: 96.3°F condensing, 20°F suction and 78°F W.B.

** Gallons shown is water in suspension in unit and piping. Allow for additional water in bottom of remote sump to cover pump suction and strainer during operation. (12" would normally be sufficient.)

† Heaviest section is the coil section. **Weights shown are for 1g seismic design.**

*** Refrigerant charge is shown for R-717. Multiply by 1.93 for R-22 and 1.98 for R-134a.

Dimensions are subject to change. Do not use for pre-fabrication. Quantity of coil connections subject to change based on refrigerant and design conditions.

eco-Saver Option: (Low Energy)

Engineering Dimensions & Data

eco-ATC-300A-1g to eco-ATC-501A-1g

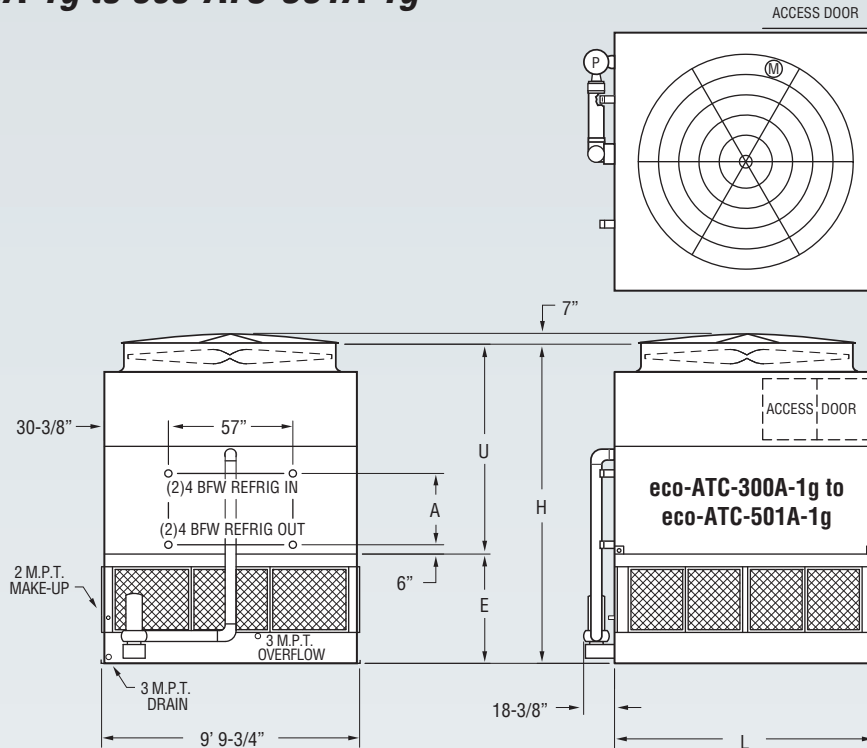


Table 12 Engineering Data

Model No.	R-717 Tons*	Fans		Weights†			Refrigerant Operating Charge lbs.***	Coil Volume ft ³	Spray Pump		Remote Pump			Dimensions				
		HP	CFM	Shipping	Operating	Heaviest Section†			HP	GPM	Gallons Req'd**	Conn. Size	Operating Weight	Height H	Upper U	Lower E	Coil A	Length L
eco-ATC-300A-1g	213	7.5	51,200	12,200	17,920	9,650	171	23	5	685	420	12"	14,350	12' 9-3/8"	7' 7-1/8"	5' 2-1/4"	13 3/4"	11' 11-3/4"
eco-ATC-322A-1g	229	10	56,300	12,210	17,930	9,660	171	23	5	685	420	12"	14,360	12' 9-3/8"	7' 7-1/8"	5' 2-1/4"	13 3/4"	11' 11-3/4"
eco-ATC-353A-1g	251	15	64,500	12,340	18,060	9,790	171	23	5	685	420	12"	14,490	12' 9-3/8"	7' 7-1/8"	5' 2-1/4"	13 3/4"	11' 11-3/4"
eco-ATC-373A-1g	265	20	71,000	12,400	18,120	9,850	171	23	5	685	420	12"	14,550	12' 9-3/8"	7' 7-1/8"	5' 2-1/4"	13 3/4"	11' 11-3/4"
eco-ATC-389A-1g	276	25	76,500	12,430	18,150	9,880	171	23	5	685	420	12"	14,580	12' 9-3/8"	7' 7-1/8"	5' 2-1/4"	13 3/4"	11' 11-3/4"
eco-ATC-398A-1g	283	15	63,600	14,720	20,590	12,170	249	34	5	685	420	12"	17,020	13' 5-7/8"	8' 3-5/8"	5' 2-1/4"	22 1/4"	11' 11-3/4"
eco-ATC-419A-1g	298	20	70,000	14,780	20,650	12,230	249	34	5	685	420	12"	17,080	13' 5-7/8"	8' 3-5/8"	5' 2-1/4"	22 1/4"	11' 11-3/4"
eco-ATC-425A-1g	302	15	61,700	19,790	25,960	17,240	404	55	5	685	420	12"	22,390	14' 10-7/8"	9' 8-5/8"	5' 2-1/4"	39 1/4"	11' 11-3/4"
eco-ATC-436A-1g	310	25	75,400	14,810	20,680	12,260	249	34	5	685	420	12"	17,110	13' 5-7/8"	8' 3-5/8"	5' 2-1/4"	22 1/4"	11' 11-3/4"
eco-ATC-442A-1g	314	20	68,900	17,370	23,390	14,820	326	44	5	685	420	12"	19,820	14' 2-3/8"	9' 1/8"	5' 2-1/4"	30 3/4"	11' 11-3/4"
eco-ATC-452A-1g	321	20	67,900	19,850	26,020	17,300	404	55	5	685	420	12"	22,450	14' 10-7/8"	9' 8-5/8"	5' 2-1/4"	39 1/4"	11' 11-3/4"
eco-ATC-459A-1g	326	25	74,200	17,400	23,420	14,850	326	44	5	685	420	12"	19,850	14' 2-3/8"	9' 1/8"	5' 2-1/4"	30 3/4"	11' 11-3/4"
eco-ATC-469A-1g	333	25	73,100	19,880	26,050	17,330	404	55	5	685	420	12"	22,480	14' 10-7/8"	9' 8-5/8"	5' 2-1/4"	39 1/4"	11' 11-3/4"
eco-ATC-487A-1g	346	30	77,700	19,930	26,100	17,380	404	55	5	685	420	12"	22,530	14' 10-7/8"	9' 8-5/8"	5' 2-1/4"	39 1/4"	11' 11-3/4"
eco-ATC-501A-1g	356	30	76,600	22,560	28,880	20,010	481	66	5	685	420	12"	25,310	15' 7-3/8"	10' 5-1/8"	5' 2-1/4"	47 3/4"	11' 11-3/4"

* Tons at standard conditions: 96.3°F condensing, 20°F suction and 78°F W.B.

** Gallons shown is water in suspension in unit and piping. Allow for additional water in bottom of remote sump to cover pump suction and strainer during operation. (12" would normally be sufficient.)

† Heaviest section is the coil section. **Weights shown are for 1g seismic design.**

*** Refrigerant charge is shown for R-717. Multiply by 1.93 for R-22 and 1.98 for R-134a.

Dimensions are subject to change. Do not use for pre-fabrication. Quantity of coil connections subject to change based on refrigerant and design conditions.



Engineering Dimensions & Data

eco-ATC-391A-1g to eco-ATC-694A-1g

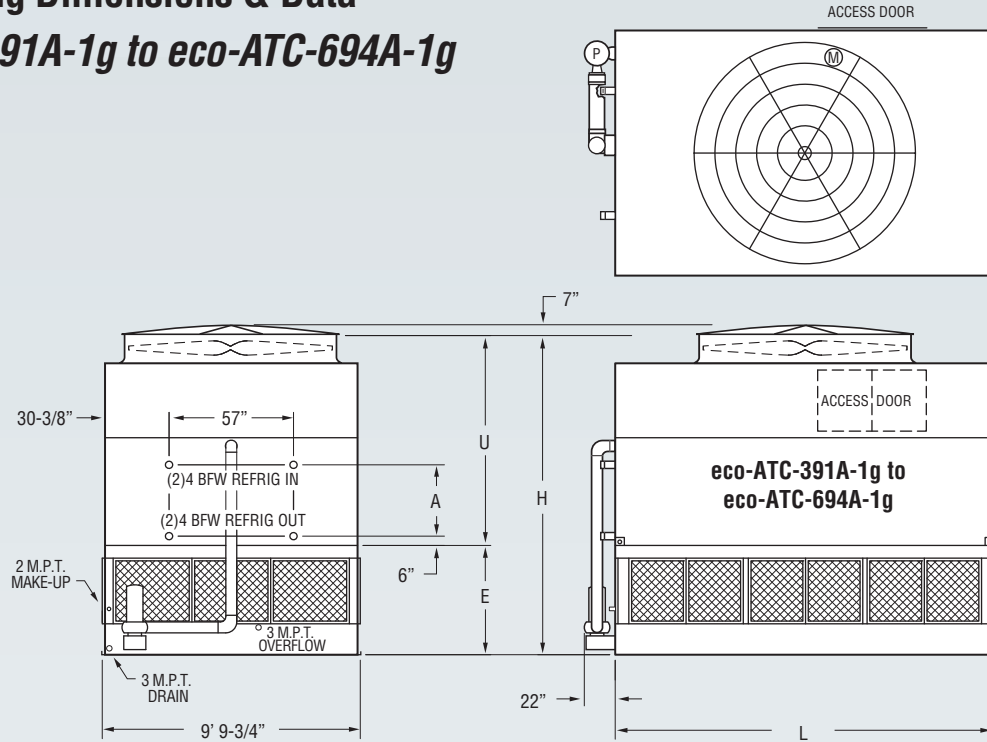


Table 13 Engineering Data

Model No.	R-717 Tons*	Fans		Weights†			Refrigerant Operating Charge lbs.***	Coil Volume ft ³	Spray Pump		Remote Pump			Dimensions				
		HP	CFM	Shipping	Operating	Heaviest Section†			HP	GPM	Gallons Req'd**	Conn. Size	Operating Weight	Height H	Upper U	Lower E	Coil A	Length L
eco-ATC-391A-1g	278	7.5	68,600	17,290	25,930	13,640	250	34	7-1/2	1030	630	12"	20,680	12' 9-3/8"	7' 7-1/8"	5' 2-1/4"	13-3/4"	18' 0"
eco-ATC-439A-1g	312	7.5	67,600	20,910	29,770	17,260	367	50	7-1/2	1030	630	12"	24,520	13' 5-7/8"	8' 3-5/8"	5' 2-1/4"	22-1/4"	18' 0"
eco-ATC-455A-1g	323	7.5	66,600	24,780	33,870	21,130	484	66	7-1/2	1030	630	12"	28,620	14' 2-3/8"	9' 1/8"	5' 2-1/4"	30-3/4"	18' 0"
eco-ATC-468A-1g	332	7.5	65,600	28,550	37,860	24,900	601	82	7-1/2	1030	630	12"	32,610	14' 10-7/8"	9' 8-5/8"	5' 2-1/4"	39-1/4"	18' 0"
eco-ATC-482A-1g	342	7.5	64,600	32,480	42,010	28,830	718	98	7-1/2	1030	630	12"	36,760	15' 7-3/8"	10' 5-1/8"	5' 2-1/4"	47-3/4"	18' 0"
eco-ATC-493A-1g	350	20	95,100	17,490	26,130	13,840	250	34	7-1/2	1030	630	12"	20,880	12' 9-3/8"	7' 7-1/8"	5' 2-1/4"	13-3/4"	18' 0"
eco-ATC-498A-1g	354	10	72,200	28,560	37,870	24,910	601	82	7-1/2	1030	630	12"	32,620	14' 10-7/8"	9' 8-5/8"	5' 2-1/4"	39-1/4"	18' 0"
eco-ATC-520A-1g	369	25	102,400	17,520	26,160	13,870	250	34	7-1/2	1030	630	12"	20,910	12' 9-3/8"	7' 7-1/8"	5' 2-1/4"	13-3/4"	18' 0"
eco-ATC-540A-1g	383	30	108,800	17,570	26,210	13,920	250	34	7-1/2	1030	630	12"	20,960	12' 9-3/8"	7' 7-1/8"	5' 2-1/4"	13-3/4"	18' 0"
eco-ATC-553A-1g	393	20	93,700	21,110	29,970	17,460	367	50	7-1/2	1030	630	12"	24,720	13' 5-7/8"	8' 3-5/8"	5' 2-1/4"	22-1/4"	18' 0"
eco-ATC-578A-1g	410	20	92,300	24,980	34,070	21,330	484	66	7-1/2	1030	630	12"	28,820	14' 2-3/8"	9' 1/8"	5' 2-1/4"	30-3/4"	18' 0"
eco-ATC-584A-1g	415	25	100,900	21,140	30,000	17,490	367	50	7-1/2	1030	630	12"	24,750	13' 5-7/8"	8' 3-5/8"	5' 2-1/4"	22-1/4"	18' 0"
eco-ATC-599A-1g	425	20	89,600	32,680	42,210	29,030	718	98	7-1/2	1030	630	12"	36,960	15' 7-3/8"	10' 5-1/8"	5' 2-1/4"	47-3/4"	18' 0"
eco-ATC-606A-1g	430	30	107,200	21,190	30,050	17,540	367	50	7-1/2	1030	630	12"	24,800	13' 5-7/8"	8' 3-5/8"	5' 2-1/4"	22-1/4"	18' 0"
eco-ATC-611A-1g	434	25	98,000	28,780	38,090	25,130	601	82	7-1/2	1030	630	12"	32,840	14' 10-7/8"	9' 8-5/8"	5' 2-1/4"	39-1/4"	18' 0"
eco-ATC-630A-1g	447	30	105,700	25,060	34,150	21,410	484	66	7-1/2	1030	630	12"	28,900	14' 2-3/8"	9' 1/8"	5' 2-1/4"	30-3/4"	18' 0"
eco-ATC-655A-1g	465	30	102,600	32,760	42,290	29,110	718	98	7-1/2	1030	630	12"	37,040	15' 7-3/8"	10' 5-1/8"	5' 2-1/4"	47-3/4"	18' 0"
eco-ATC-667A-1g	474	40	116,300	25,220	34,310	21,570	484	66	7-1/2	1030	630	12"	29,060	14' 2-3/8"	9' 1/8"	5' 2-1/4"	30-3/4"	18' 0"
eco-ATC-694A-1g	493	40	112,900	32,920	42,450	29,270	718	98	7-1/2	1030	630	12"	37,200	15' 7-3/8"	10' 5-1/8"	5' 2-1/4"	47-3/4"	18' 0"

* Tons at standard conditions: 96.3°F condensing, 20°F suction and 78°F W.B.

** Gallons shown is water in suspension in unit and piping. Allow for additional water in bottom of remote sump to cover pump suction and strainer during operation. (12" would normally be sufficient.)

† Heaviest section is the coil section. **Weights shown are for 1g seismic design.**

*** Refrigerant charge is shown for R-717. Multiply by 1.93 for R-22 and 1.98 for R-134a.

Dimensions are subject to change. Do not use for pre-fabrication. Quantity of coil connections subject to change based on refrigerant and design conditions.

eco-Saver Option: (Low Energy)

Engineering Dimensions & Data

eco-ATC-642A-1g to eco-ATC-1002A-1g

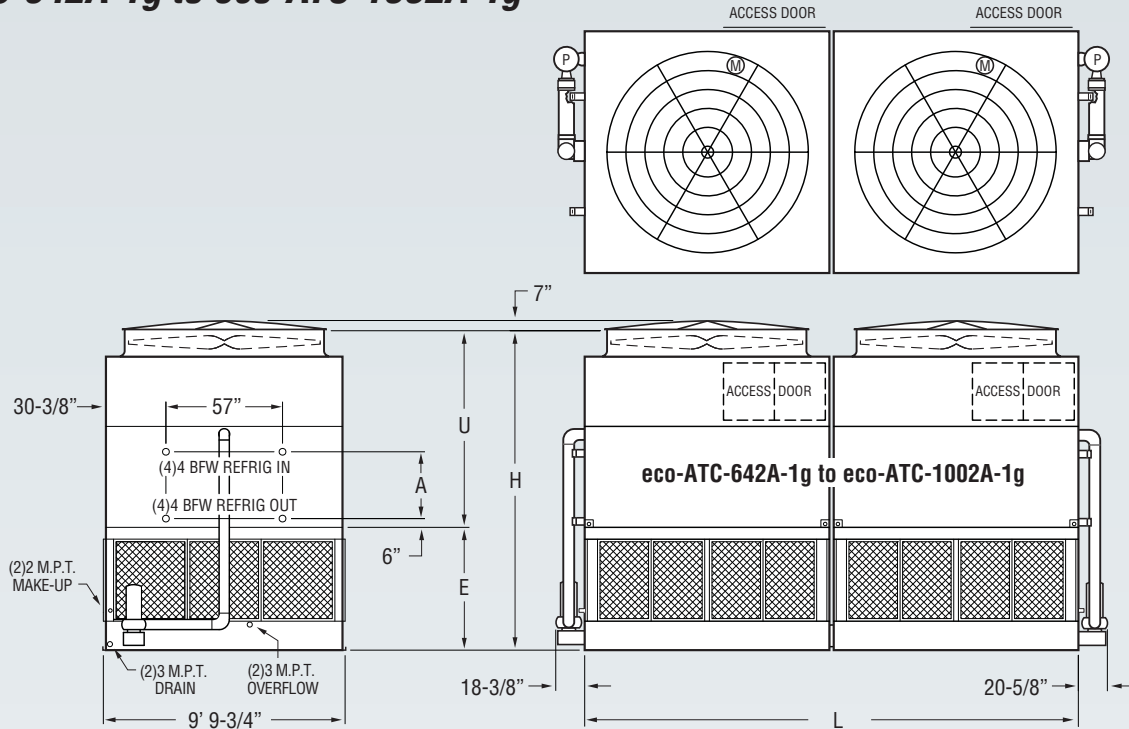


Table 14 Engineering Data

Model No.	R-717 Tons*	Fans		Weights†			Refrigerant Charge lbs.***	Coil Volume ft ³	Spray Pump		Remote Pump			Dimensions				
		HP	CFM	Shipping	Operating	Heaviest Section†			HP	GPM	Gallons Req'd**	Conn. Size	Operating Weight	Height H	Upper U	Lower E	Coil A	Length L
eco-ATC-642A-1g	456	(2) 10	112,700	24,420	35,860	9,660	342	47	(2) 5	1370	840	(2) 12"	28,720	13' 9-3/8"	7' 7-1/8"	6' 2-1/4"	13-3/4"	24' 2"
eco-ATC-675A-1g	479	(2) 7.5	100,900	29,160	40,900	12,030	497	68	(2) 5	1370	840	(2) 12"	33,760	14' 5-7/8"	8' 3-5/8"	6' 2-1/4"	22-1/4"	24' 2"
eco-ATC-706A-1g	501	(2) 15	129,000	24,680	36,120	9,790	342	47	(2) 5	1370	840	(2) 12"	28,980	13' 9-3/8"	7' 7-1/8"	6' 2-1/4"	13-3/4"	24' 2"
eco-ATC-722A-1g	513	(2) 10	111,000	29,180	40,920	12,040	497	68	(2) 5	1370	840	(2) 12"	33,780	14' 5-7/8"	8' 3-5/8"	6' 2-1/4"	22-1/4"	24' 2"
eco-ATC-734A-1g	521	(2) 7.5	97,900	39,300	51,640	17,100	807	110	(2) 5	1370	840	(2) 12"	44,500	15' 10-7/8"	9' 8-5/8"	6' 2-1/4"	39-1/4"	24' 2"
eco-ATC-747A-1g	530	(2) 20	142,000	24,800	36,240	9,850	342	47	(2) 5	1370	840	(2) 12"	29,100	13' 9-3/8"	7' 7-1/8"	6' 2-1/4"	13-3/4"	24' 2"
eco-ATC-759A-1g	539	(2) 10	109,400	34,360	46,400	14,630	652	89	(2) 5	1370	840	(2) 12"	39,260	15' 2-3/8"	9' 1/8"	6' 2-1/4"	30-3/4"	24' 2"
eco-ATC-777A-1g	552	(2) 25	152,900	24,860	36,300	9,880	342	47	(2) 5	1370	840	(2) 12"	29,160	13' 9-3/8"	7' 7-1/8"	6' 2-1/4"	13-3/4"	24' 2"
eco-ATC-781A-1g	554	(2) 10	107,800	39,320	51,660	17,110	807	110	(2) 5	1370	840	(2) 12"	44,520	15' 10-7/8"	9' 8-5/8"	6' 2-1/4"	39-1/4"	24' 2"
eco-ATC-792A-1g	562	(2) 15	127,100	29,440	41,180	12,170	497	68	(2) 5	1370	840	(2) 12"	34,040	14' 5-7/8"	8' 3-5/8"	6' 2-1/4"	22-1/4"	24' 2"
eco-ATC-803A-1g	570	(2) 10	106,200	44,580	57,220	19,740	962	131	(2) 5	1370	840	(2) 12"	50,080	16' 7-3/8"	10' 5-1/8"	6' 2-1/4"	47-3/4"	24' 2"
eco-ATC-839A-1g	596	(2) 20	139,900	29,560	41,300	12,230	497	68	(2) 5	1370	840	(2) 12"	34,160	14' 5-7/8"	8' 3-5/8"	6' 2-1/4"	22-1/4"	24' 2"
eco-ATC-851A-1g	604	(2) 15	123,400	39,580	51,920	17,240	807	110	(2) 5	1370	840	(2) 12"	44,780	15' 10-7/8"	9' 8-5/8"	6' 2-1/4"	39-1/4"	24' 2"
eco-ATC-873A-1g	620	(2) 25	150,700	29,620	41,360	12,260	497	68	(2) 5	1370	840	(2) 12"	34,220	14' 5-7/8"	8' 3-5/8"	6' 2-1/4"	22-1/4"	24' 2"
eco-ATC-885A-1g	628	(2) 20	137,800	34,740	46,780	14,820	652	89	(2) 5	1370	840	(2) 12"	39,640	15' 2-3/8"	9' 1/8"	6' 2-1/4"	30-3/4"	24' 2"
eco-ATC-901A-1g	640	(2) 20	135,800	39,700	52,040	17,300	807	110	(2) 5	1370	840	(2) 12"	44,900	15' 10-7/8"	9' 8-5/8"	6' 2-1/4"	39-1/4"	24' 2"
eco-ATC-918A-1g	652	(2) 25	148,500	34,800	46,840	14,850	652	89	(2) 5	1370	840	(2) 12"	39,700	15' 2-3/8"	9' 1/8"	6' 2-1/4"	30-3/4"	24' 2"
eco-ATC-928A-1g	659	(2) 20	133,800	44,960	57,600	19,930	962	131	(2) 5	1370	840	(2) 12"	50,460	16' 7-3/8"	10' 5-1/8"	6' 2-1/4"	47-3/4"	24' 2"
eco-ATC-941A-1g	668	(2) 25	146,300	39,760	52,100	17,330	807	110	(2) 5	1370	840	(2) 12"	44,960	15' 10-7/8"	9' 8-5/8"	6' 2-1/4"	39-1/4"	24' 2"
eco-ATC-969A-1g	688	(2) 25	144,100	45,020	57,660	19,960	962	131	(2) 5	1370	840	(2) 12"	50,520	16' 7-3/8"	10' 5-1/8"	6' 2-1/4"	47-3/4"	24' 2"
eco-ATC-973A-1g	691	(2) 30	155,500	39,860	52,200	17,380	807	110	(2) 5	1370	840	(2) 12"	45,060	15' 10-7/8"	9' 8-5/8"	6' 2-1/4"	39-1/4"	24' 2"
eco-ATC-1002A-1g	711	(2) 30	153,200	45,120	57,760	20,010	962	131	(2) 5	1370	840	(2) 12"	50,620	16' 7-3/8"	10' 5-1/8"	6' 2-1/4"	47-3/4"	24' 2"

* Tons at standard conditions: 96.3°F condensing, 20°F suction and 78°F W.B.
 ** Gallons shown is water in suspension in unit and piping. Allow for additional water in bottom of remote sump to cover pump suction and strainer during operation. (12" would normally be sufficient.)
 † Heaviest section is the coil section. **Weights shown are for 1g seismic design.**
 *** Refrigerant charge is shown for R-717. Multiply by 1.93 for R-22 and 1.98 for R-134a.
 Dimensions are subject to change. Do not use for pre-fabrication. Quantity of coil connections subject to change based on refrigerant and design conditions.



Engineering Dimensions & Data

eco-ATC-879A-1g to eco-ATC-1388A-1g

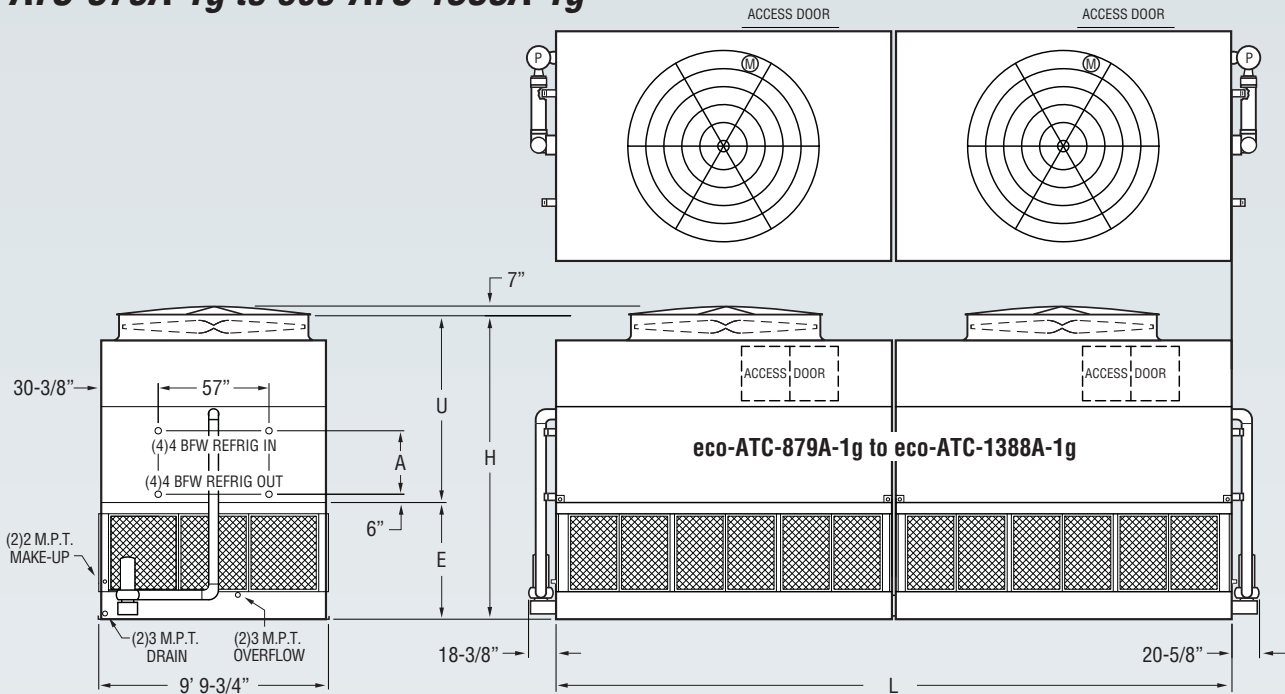


Table 15 Engineering Data

Model No.	R-717 Tons*	Fans		Weights†			Refrigerant Operating Charge lbs.***	Coil Volume ft ³	Spray Pump		Remote Pump			Dimensions				
		HP	CFM	Shipping	Operating	Heaviest Section†			HP	GPM	Gallons Req'd**	Conn. Size	Operating Weight	Height H	Upper U	Lower E	Coil A	Length L
eco-ATC-879A-1g	624	(2) 7.5	135,100	41,820	59,540	17,260	734	100	(2) 7.5	2060	1260	(2) 12"	49,040	14' 5-7/8"	8' 3-5/8"	6' 2-1/4"	22-1/4"	36' 2-1/2"
eco-ATC-919A-1g	652	(2) 15	172,800	34,860	52,140	13,780	500	68	(2) 7.5	2060	1260	(2) 12"	41,640	13' 9-3/8"	7' 7-1/8"	6' 2-1/4"	13-3/4"	36' 2-1/2"
eco-ATC-964A-1g	684	(2) 7.5	129,200	64,960	84,020	28,830	1437	196	(2) 7.5	2060	1260	(2) 12"	73,520	16' 7-3/8"	10' 5-1/8"	6' 2-1/4"	47-3/4"	36' 2-1/2"
eco-ATC-975A-1g	692	(2) 10	146,500	49,580	67,760	21,140	969	132	(2) 7.5	2060	1260	(2) 12"	57,260	15' 2-3/8"	9' 1/8"	6' 2-1/4"	30-3/4"	36' 2-1/2"
eco-ATC-986A-1g	700	(2) 20	190,200	34,980	52,260	13,840	500	68	(2) 7.5	2060	1260	(2) 12"	41,760	13' 9-3/8"	7' 7-1/8"	6' 2-1/4"	13-3/4"	36' 2-1/2"
eco-ATC-995A-1g	706	(2) 10	144,400	57,120	75,740	24,910	1203	164	(2) 7.5	2060	1260	(2) 12"	65,240	15' 10-7/8"	9' 8-5/8"	6' 2-1/4"	39-1/4"	36' 2-1/2"
eco-ATC-1025A-1g	727	(2) 10	142,200	64,980	84,040	28,840	1437	196	(2) 7.5	2060	1260	(2) 12"	73,540	16' 7-3/8"	10' 5-1/8"	6' 2-1/4"	47-3/4"	36' 2-1/2"
eco-ATC-1032A-1g	732	(2) 15	170,200	42,100	59,820	17,400	734	100	(2) 7.5	2060	1260	(2) 12"	49,320	14' 5-7/8"	8' 3-5/8"	6' 2-1/4"	22-1/4"	36' 2-1/2"
eco-ATC-1041A-1g	739	(2) 25	204,800	35,040	52,320	13,870	500	68	(2) 7.5	2060	1260	(2) 12"	41,820	13' 9-3/8"	7' 7-1/8"	6' 2-1/4"	13-3/4"	36' 2-1/2"
eco-ATC-1081A-1g	767	(2) 30	217,700	35,140	52,420	13,920	500	68	(2) 7.5	2060	1260	(2) 12"	41,920	13' 9-3/8"	7' 7-1/8"	6' 2-1/4"	13-3/4"	36' 2-1/2"
eco-ATC-1085A-1g	770	(2) 15	165,300	57,380	76,000	25,040	1203	164	(2) 7.5	2060	1260	(2) 12"	65,500	15' 10-7/8"	9' 8-5/8"	6' 2-1/4"	39-1/4"	36' 2-1/2"
eco-ATC-1108A-1g	786	(2) 20	187,400	42,220	59,940	17,460	734	100	(2) 7.5	2060	1260	(2) 12"	49,440	14' 5-7/8"	8' 3-5/8"	6' 2-1/4"	22-1/4"	36' 2-1/2"
eco-ATC-1118A-1g	793	(2) 15	162,800	65,240	84,300	28,970	1437	196	(2) 7.5	2060	1260	(2) 12"	73,800	16' 7-3/8"	10' 5-1/8"	6' 2-1/4"	47-3/4"	36' 2-1/2"
eco-ATC-1153A-1g	818	(2) 20	184,600	49,960	68,140	21,330	969	132	(2) 7.5	2060	1260	(2) 12"	57,640	15' 2-3/8"	9' 1/8"	6' 2-1/4"	30-3/4"	36' 2-1/2"
eco-ATC-1168A-1g	829	(2) 25	201,800	42,280	60,000	17,490	734	100	(2) 7.5	2060	1260	(2) 12"	49,500	14' 5-7/8"	8' 3-5/8"	6' 2-1/4"	22-1/4"	36' 2-1/2"
eco-ATC-1198A-1g	850	(2) 20	179,200	65,360	84,420	29,030	1437	196	(2) 7.5	2060	1260	(2) 12"	73,920	16' 7-3/8"	10' 5-1/8"	6' 2-1/4"	47-3/4"	36' 2-1/2"
eco-ATC-1212A-1g	860	(2) 30	214,500	42,380	60,100	17,540	734	100	(2) 7.5	2060	1260	(2) 12"	49,600	14' 5-7/8"	8' 3-5/8"	6' 2-1/4"	22-1/4"	36' 2-1/2"
eco-ATC-1258A-1g	893	(2) 30	211,300	50,120	68,300	21,410	969	132	(2) 7.5	2060	1260	(2) 12"	57,800	15' 2-3/8"	9' 1/8"	6' 2-1/4"	30-3/4"	36' 2-1/2"
eco-ATC-1272A-1g	903	(2) 30	208,200	57,660	76,280	25,180	1203	164	(2) 7.5	2060	1260	(2) 12"	65,780	15' 10-7/8"	9' 8-5/8"	6' 2-1/4"	39-1/4"	36' 2-1/2"
eco-ATC-1310A-1g	930	(2) 30	205,100	65,520	84,580	29,110	1437	196	(2) 7.5	2060	1260	(2) 12"	74,080	16' 7-3/8"	10' 5-1/8"	6' 2-1/4"	47-3/4"	36' 2-1/2"
eco-ATC-1334A-1g	947	(2) 40	232,600	50,440	68,620	21,570	969	132	(2) 7.5	2060	1260	(2) 12"	58,120	15' 2-3/8"	9' 1/8"	6' 2-1/4"	30-3/4"	36' 2-1/2"
eco-ATC-1348A-1g	957	(2) 40	229,200	57,980	76,600	25,340	1203	164	(2) 7.5	2060	1260	(2) 12"	66,100	15' 10-7/8"	9' 8-5/8"	6' 2-1/4"	39-1/4"	36' 2-1/2"
eco-ATC-1388A-1g	985	(2) 40	225,800	65,840	84,900	29,270	1437	196	(2) 7.5	2060	1260	(2) 12"	74,400	16' 7-3/8"	10' 5-1/8"	6' 2-1/4"	47-3/4"	36' 2-1/2"

* Tons at standard conditions: 96.3°F condensing, 20°F suction and 78°F W.B.

** Gallons shown is water in suspension in unit and piping. Allow for additional water in bottom of remote sump to cover pump suction and strainer during operation. (12" would normally be sufficient.)

† Heaviest section is the coil section. **Weights shown are for 1g seismic design.**

*** Refrigerant charge is shown for R-717. Multiply by 1.93 for R-22 and 1.98 for R-134a.

Dimensions are subject to change. Do not use for pre-fabrication. Quantity of coil connections subject to change based on refrigerant and design conditions.

eco-Saver Option: (Low Energy)

Engineering Dimensions & Data

eco-ATC-325A-1g to eco-ATC-632A-1g

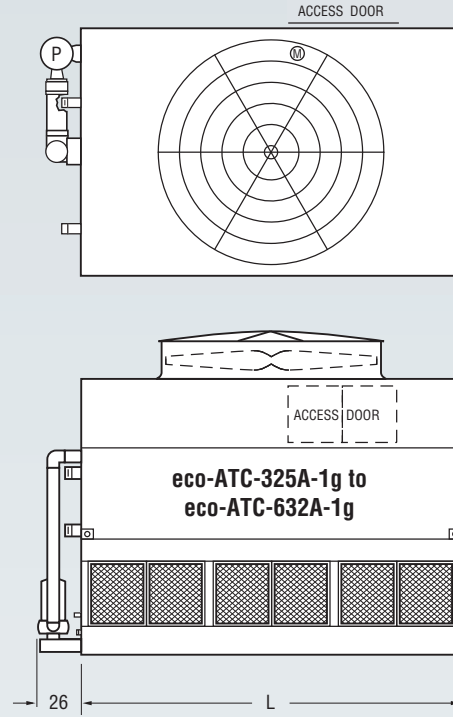
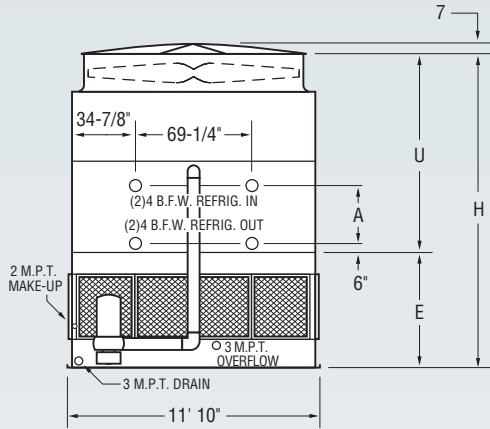


Table 16 Engineering Data

Model No.	R-717 Tons*	Fans		Weights†			Refrigerant Operating Charge lbs.***	Coil Volume ft ³	Spray Pump		Remote Pump			Dimensions				
		HP	CFM	Shipping	Operating	Heaviest Section†			HP	GPM	Gallons Req'd**	Conn. Size	Operating Weight	Height H	Upper U	Lower E	Coil A	Length L
eco-ATC-325A-1g	231	10	67,700	13,760	20,190	11,050	210	29	5	800	490	12"	16,240	12' 9-3/8"	7' 7-1/8"	5' 2-1/4"	13-3/4"	11' 11-3/4"
eco-ATC-355A-1g	252	15	77,500	13,890	20,320	11,180	210	29	5	800	490	12"	16,370	12' 9-3/8"	7' 7-1/8"	5' 2-1/4"	13-3/4"	11' 11-3/4"
eco-ATC-378A-1g	269	20	85,300	13,950	20,380	11,240	210	29	5	800	490	12"	16,430	12' 9-3/8"	7' 7-1/8"	5' 2-1/4"	13-3/4"	11' 11-3/4"
eco-ATC-393A-1g	279	25	91,800	13,980	20,410	11,270	210	29	5	800	490	12"	16,460	12' 9-3/8"	7' 7-1/8"	5' 2-1/4"	13-3/4"	11' 11-3/4"
eco-ATC-399A-1g	283	10	66,400	16,820	23,430	14,110	306	42	5	800	490	12"	19,480	13' 5-7/8"	8' 3-5/8"	5' 2-1/4"	22-1/4"	11' 11-3/4"
eco-ATC-435A-1g	309	15	76,000	16,950	23,560	14,240	306	42	5	800	490	12"	19,610	13' 5-7/8"	8' 3-5/8"	5' 2-1/4"	22-1/4"	11' 11-3/4"
eco-ATC-448A-1g	318	10	64,500	20,010	26,810	17,300	401	55	5	800	490	12"	22,860	14' 2-3/8"	9' 1/8"	5' 2-1/4"	30-3/4"	11' 11-3/4"
eco-ATC-463A-1g	329	20	83,700	17,010	23,620	14,300	306	42	5	800	490	12"	19,670	13' 5-7/8"	8' 3-5/8"	5' 2-1/4"	22-1/4"	11' 11-3/4"
eco-ATC-475A-1g	337	10	62,600	23,040	30,020	20,330	497	68	5	800	490	12"	26,070	14' 10-7/8"	9' 8-5/8"	5' 2-1/4"	39-1/4"	11' 11-3/4"
eco-ATC-481A-1g	342	25	89,200	17,040	23,650	14,330	306	42	5	800	490	12"	19,700	13' 5-7/8"	8' 3-5/8"	5' 2-1/4"	22-1/4"	11' 11-3/4"
eco-ATC-490A-1g	348	15	73,800	20,140	26,940	17,430	401	55	5	800	490	12"	22,990	14' 2-3/8"	9' 1/8"	5' 2-1/4"	30-3/4"	11' 11-3/4"
eco-ATC-522A-1g	371	20	81,200	20,200	27,000	17,490	401	55	5	800	490	12"	23,050	14' 2-3/8"	9' 1/8"	5' 2-1/4"	30-3/4"	11' 11-3/4"
eco-ATC-531A-1g	377	15	69,500	26,380	33,540	23,670	593	81	5	800	490	12"	29,590	15' 7-3/8"	10' 5-1/8"	5' 2-1/4"	47-3/4"	11' 11-3/4"
eco-ATC-543A-1g	386	25	86,600	20,230	27,030	17,520	401	55	5	800	490	12"	23,080	14' 2-3/8"	9' 1/8"	5' 2-1/4"	30-3/4"	11' 11-3/4"
eco-ATC-558A-1g	396	30	91,100	20,280	27,080	17,570	401	55	5	800	490	12"	23,130	14' 2-3/8"	9' 1/8"	5' 2-1/4"	30-3/4"	11' 11-3/4"
eco-ATC-565A-1g	401	20	76,400	26,440	33,600	23,730	593	81	5	800	490	12"	29,650	15' 7-3/8"	10' 5-1/8"	5' 2-1/4"	47-3/4"	11' 11-3/4"
eco-ATC-573A-1g	407	25	84,000	23,260	30,240	20,550	497	68	5	800	490	12"	26,290	14' 10-7/8"	9' 8-5/8"	5' 2-1/4"	39-1/4"	11' 11-3/4"
eco-ATC-588A-1g	418	25	81,400	26,470	33,630	23,760	593	81	5	800	490	12"	29,680	15' 7-3/8"	10' 5-1/8"	5' 2-1/4"	47-3/4"	11' 11-3/4"
eco-ATC-593A-1g	421	30	88,500	23,310	30,290	20,600	497	68	5	800	490	12"	26,340	14' 10-7/8"	9' 8-5/8"	5' 2-1/4"	39-1/4"	11' 11-3/4"
eco-ATC-605A-1g	430	30	85,700	26,520	33,680	23,810	593	81	5	800	490	12"	29,730	15' 7-3/8"	10' 5-1/8"	5' 2-1/4"	47-3/4"	11' 11-3/4"
eco-ATC-632A-1g	449	40	92,900	26,680	33,840	23,970	593	81	5	800	490	12"	29,890	15' 7-3/8"	10' 5-1/8"	5' 2-1/4"	47-3/4"	11' 11-3/4"

* Tons at standard conditions: 96.3°F condensing, 20°F suction and 78°F W.B.

** Gallons shown is water in suspension in unit and piping. Allow for additional water in bottom of remote sump to cover pump suction and strainer during operation. (12" would normally be sufficient.)

† Heaviest section is the coil section. **Weights shown are for 1g seismic design.**

*** Refrigerant charge is shown for R-717. Multiply by 1.93 for R-22 and 1.98 for R-134a.

Dimensions are subject to change. Do not use for pre-fabrication. Quantity of coil connections subject to change based on refrigerant and design conditions.



Engineering Dimensions & Data

eco-ATC-408A-1g to eco-ATC-685A-1g

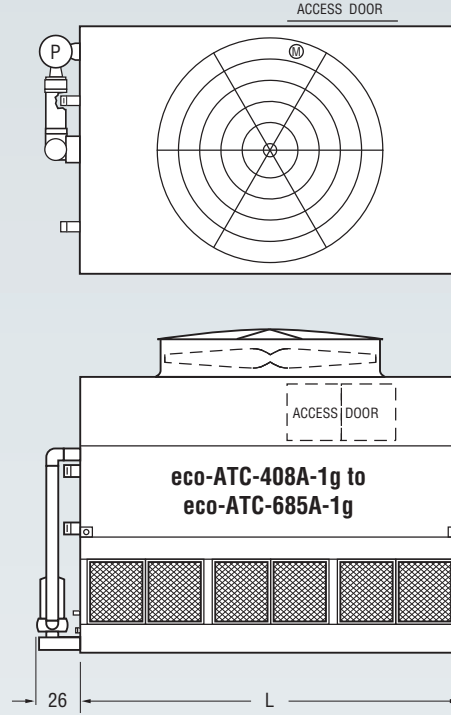
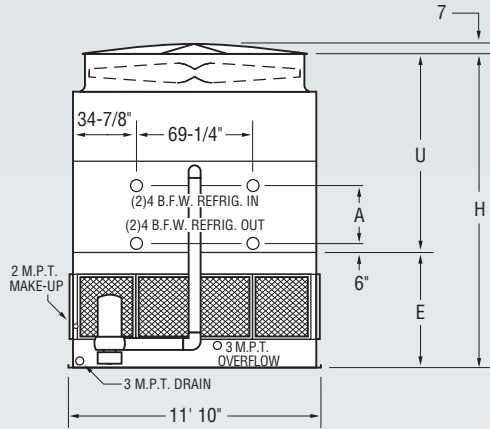


Table 16 Engineering Data

Model No.	R-717 Tons*	Fans		Weights†			Refrigerant Operating Charge lbs.***	Coil Volume ft ³	Spray Pump		Remote Pump			Dimensions				
		HP	CFM	Shipping	Operating	Heaviest Section†			HP	GPM	Gallons Req'd**	Conn. Size	Operating Weight	Height H	Upper U	Lower E	Coil A	Length L
eco-ATC-408A-1g	290	20	94,400	15,660	23,230	12,600	243	33	5	900	570	12"	18,660	13' 3-3/8"	7' 7-1/8"	5' 8-1/4"	13-3/4"	13' 11-3/4"
eco-ATC-427A-1g	303	25	101,700	15,690	23,260	12,630	243	33	5	900	570	12"	18,690	13' 3-3/8"	7' 7-1/8"	5' 8-1/4"	13-3/4"	13' 11-3/4"
eco-ATC-440A-1g	313	30	108,000	15,740	23,310	12,680	243	33	5	900	570	12"	18,740	13' 3-3/8"	7' 7-1/8"	5' 8-1/4"	13-3/4"	13' 11-3/4"
eco-ATC-471A-1g	335	15	84,300	19,260	27,050	16,200	355	48	5	900	570	12"	22,480	13' 11-7/8"	8' 3-5/8"	5' 8-1/4"	22-1/4"	13' 11-3/4"
eco-ATC-500A-1g	355	20	92,800	19,320	27,110	16,260	355	48	5	900	570	12"	22,540	13' 11-7/8"	8' 3-5/8"	5' 8-1/4"	22-1/4"	13' 11-3/4"
eco-ATC-533A-1g	379	15	81,800	22,980	30,980	19,920	466	64	5	900	570	12"	26,410	14' 8-3/8"	9' 1/8"	5' 8-1/4"	30-3/4"	13' 11-3/4"
eco-ATC-539A-1g	383	30	105,000	19,400	27,190	16,340	355	48	5	900	570	12"	22,620	13' 11-7/8"	8' 3-5/8"	5' 8-1/4"	22-1/4"	13' 11-3/4"
eco-ATC-566A-1g	402	20	90,000	23,040	31,040	19,980	466	64	5	900	570	12"	26,470	14' 8-3/8"	9' 1/8"	5' 8-1/4"	30-3/4"	13' 11-3/4"
eco-ATC-591A-1g	420	25	96,800	23,070	31,070	20,010	466	64	5	900	570	12"	26,500	14' 8-3/8"	9' 1/8"	5' 8-1/4"	30-3/4"	13' 11-3/4"
eco-ATC-609A-1g	432	30	101,900	23,120	31,120	20,060	466	64	5	900	570	12"	26,550	14' 8-3/8"	9' 1/8"	5' 8-1/4"	30-3/4"	13' 11-3/4"
eco-ATC-610A-1g	433	20	84,600	30,570	39,000	27,510	690	94	5	900	570	12"	34,430	16' 1-3/8"	10' 5-1/8"	5' 8-1/4"	47-3/4"	13' 11-3/4"
eco-ATC-627A-1g	445	25	94,000	26,560	34,780	23,500	578	79	5	900	570	12"	30,210	15' 4-7/8"	9' 8-5/8"	5' 8-1/4"	39-1/4"	13' 11-3/4"
eco-ATC-637A-1g	452	25	91,100	30,600	39,030	27,540	690	94	5	900	570	12"	34,460	16' 1-3/8"	10' 5-1/8"	5' 8-1/4"	47-3/4"	13' 11-3/4"
eco-ATC-644A-1g	457	30	98,900	26,610	34,830	23,550	578	79	5	900	570	12"	30,260	15' 4-7/8"	9' 8-5/8"	5' 8-1/4"	39-1/4"	13' 11-3/4"
eco-ATC-657A-1g	466	30	95,800	30,650	39,080	27,590	690	94	5	900	570	12"	34,510	16' 1-3/8"	10' 5-1/8"	5' 8-1/4"	47-3/4"	13' 11-3/4"
eco-ATC-672A-1g	477	40	107,200	26,770	34,990	23,710	578	79	5	900	570	12"	30,420	15' 4-7/8"	9' 8-5/8"	5' 8-1/4"	39-1/4"	13' 11-3/4"
eco-ATC-685A-1g	486	40	103,800	30,810	39,240	27,750	690	94	5	900	570	12"	34,670	16' 1-3/8"	10' 5-1/8"	5' 8-1/4"	47-3/4"	13' 11-3/4"

* Tons at standard conditions: 96.3°F condensing, 20°F suction and 78°F W.B.

** Gallons shown is water in suspension in unit and piping. Allow for additional water in bottom of remote sump to cover pump suction and strainer during operation. (12" would normally be sufficient.)

† Heaviest section is the coil section. **Weights shown are for 1g seismic design.**

*** Refrigerant charge is shown for R-717. Multiply by 1.93 for R-22 and 1.98 for R-134a.

Dimensions are subject to change. Do not use for pre-fabrication. Quantity of coil connections subject to change based on refrigerant and design conditions.

Engineering Dimensions & Data

eco-ATC-432A-1g to eco-ATC-923A-1g

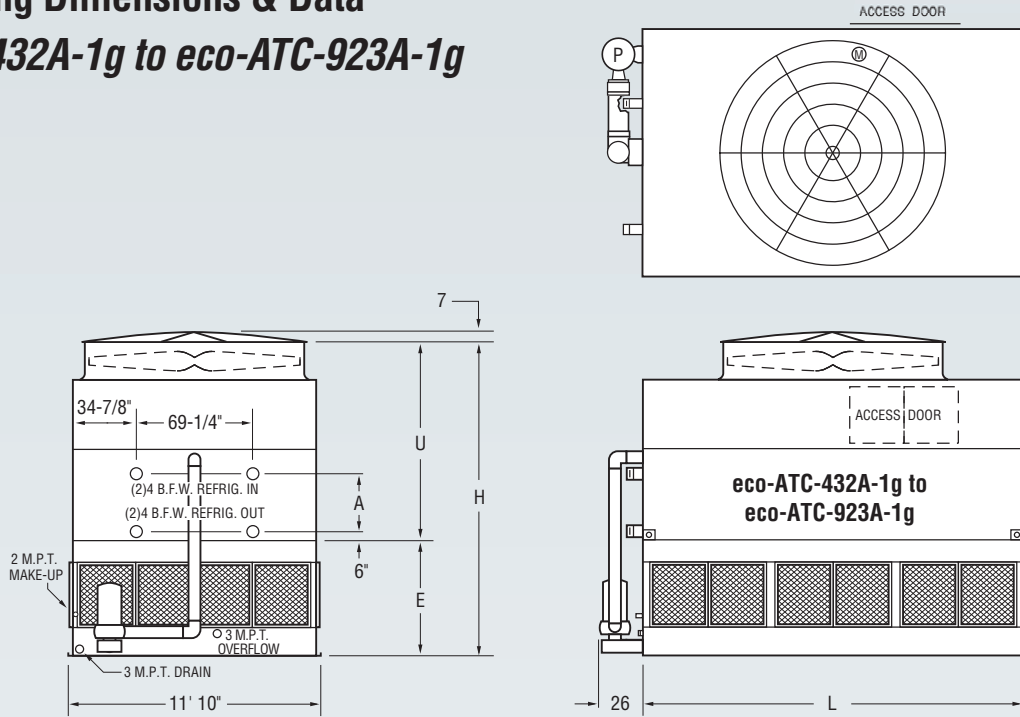


Table 17 Engineering Data

Model No.	R-717 Tons*	Fans		Weights†			Refrigerant Operating Charge lbs.***	Coil Volume ft ³	Spray Pump		Remote Pump			Dimensions				
		HP	CFM	Shipping	Operating	Heaviest Section†			HP	GPM	Gallons Req'd**	Conn. Size	Operating Weight	Height H	Upper U	Lower E	Coil A	Length L
eco-ATC-432A-1g	307	10	92,500	19,530	29,220	15,610	308	42	7-1/2	1200	720	12"	23,350	13' 9-3/8"	7' 7-1/8"	6' 2-1/4"	13-3/4"	18' 0"
eco-ATC-510A-1g	362	20	116,600	19,720	29,410	15,800	308	42	7-1/2	1200	720	12"	23,540	13' 9-3/8"	7' 7-1/8"	6' 2-1/4"	13-3/4"	18' 0"
eco-ATC-530A-1g	376	10	89,900	24,110	34,070	20,190	452	62	7-1/2	1200	720	12"	28,200	14' 5-7/8"	8' 3-5/8"	6' 2-1/4"	22-1/4"	18' 0"
eco-ATC-562A-1g	399	30	133,400	19,800	29,490	15,880	308	42	7-1/2	1200	720	12"	23,620	13' 9-3/8"	7' 7-1/8"	6' 2-1/4"	13-3/4"	18' 0"
eco-ATC-579A-1g	411	10	87,200	28,870	39,110	24,950	597	81	7-1/2	1200	720	12"	33,240	15' 2-3/8"	9' 1/8"	6' 2-1/4"	30-3/4"	18' 0"
eco-ATC-625A-1g	444	20	113,300	24,300	34,260	20,380	452	62	7-1/2	1200	720	12"	28,390	14' 5-7/8"	8' 3-5/8"	6' 2-1/4"	22-1/4"	18' 0"
eco-ATC-633A-1g	449	10	84,600	33,470	43,990	29,550	741	101	7-1/2	1200	720	12"	38,120	15' 10-7/8"	9' 8-5/8"	6' 2-1/4"	39-1/4"	18' 0"
eco-ATC-659A-1g	468	25	122,100	24,330	34,290	20,410	452	62	7-1/2	1200	720	12"	28,420	14' 5-7/8"	8' 3-5/8"	6' 2-1/4"	22-1/4"	18' 0"
eco-ATC-688A-1g	488	30	129,700	24,380	34,340	20,460	452	62	7-1/2	1200	720	12"	28,470	14' 5-7/8"	8' 3-5/8"	6' 2-1/4"	22-1/4"	18' 0"
eco-ATC-700A-1g	497	20	109,900	29,060	39,300	25,140	597	81	7-1/2	1200	720	12"	33,430	15' 2-3/8"	9' 1/8"	6' 2-1/4"	30-3/4"	18' 0"
eco-ATC-708A-1g	503	15	94,000	38,250	49,050	34,330	885	121	7-1/2	1200	720	12"	43,180	16' 7-3/8"	10' 5-1/8"	6' 2-1/4"	47-3/4"	18' 0"
eco-ATC-744A-1g	528	25	118,400	29,090	39,330	25,170	597	81	7-1/2	1200	720	12"	33,460	15' 2-3/8"	9' 1/8"	6' 2-1/4"	30-3/4"	18' 0"
eco-ATC-757A-1g	537	20	103,400	38,310	49,110	34,390	885	121	7-1/2	1200	720	12"	43,240	16' 7-3/8"	10' 5-1/8"	6' 2-1/4"	47-3/4"	18' 0"
eco-ATC-779A-1g	553	30	126,000	29,140	39,380	25,220	597	81	7-1/2	1200	720	12"	33,510	15' 2-3/8"	9' 1/8"	6' 2-1/4"	30-3/4"	18' 0"
eco-ATC-785A-1g	557	25	114,900	33,690	44,210	29,770	741	101	7-1/2	1200	720	12"	38,340	15' 10-7/8"	9' 8-5/8"	6' 2-1/4"	39-1/4"	18' 0"
eco-ATC-799A-1g	567	25	111,400	38,340	49,140	34,420	885	121	7-1/2	1200	720	12"	43,270	16' 7-3/8"	10' 5-1/8"	6' 2-1/4"	47-3/4"	18' 0"
eco-ATC-821A-1g	583	30	122,100	33,740	44,260	29,820	741	101	7-1/2	1200	720	12"	38,390	15' 10-7/8"	9' 8-5/8"	6' 2-1/4"	39-1/4"	18' 0"
eco-ATC-835A-1g	593	30	118,400	38,390	49,190	34,470	885	121	7-1/2	1200	720	12"	43,320	16' 7-3/8"	10' 5-1/8"	6' 2-1/4"	47-3/4"	18' 0"
eco-ATC-869A-1g	617	40	132,600	33,900	44,420	29,980	741	101	7-1/2	1200	720	12"	38,550	15' 10-7/8"	9' 8-5/8"	6' 2-1/4"	39-1/4"	18' 0"
eco-ATC-884A-1g	627	40	128,400	38,550	49,350	34,630	885	121	7-1/2	1200	720	12"	43,480	16' 7-3/8"	10' 5-1/8"	6' 2-1/4"	47-3/4"	18' 0"
eco-ATC-923A-1g	655	50	136,700	38,560	49,360	34,640	885	121	7-1/2	1200	720	12"	43,490	16' 7-3/8"	10' 5-1/8"	6' 2-1/4"	47-3/4"	18' 0"

* Tons at standard conditions: 96.3°F condensing, 20°F suction and 78°F W.B.
 ** Gallons shown is water in suspension in unit and piping. Allow for additional water in bottom of remote sump to cover pump suction and strainer during operation. (12" would normally be sufficient.)
 † Heaviest section is the coil section. **Weights shown are for 1g seismic design.**
 *** Refrigerant charge is shown for R-717. Multiply by 1.93 for R-22 and 1.98 for R-134a.
 Dimensions are subject to change. Do not use for pre-fabrication. Quantity of coil connections subject to change based on refrigerant and design conditions.

eco-Saver Option: (Low Energy)



Engineering Dimensions & Data

eco-ATC-585A-1g to eco-ATC-1001A-1g

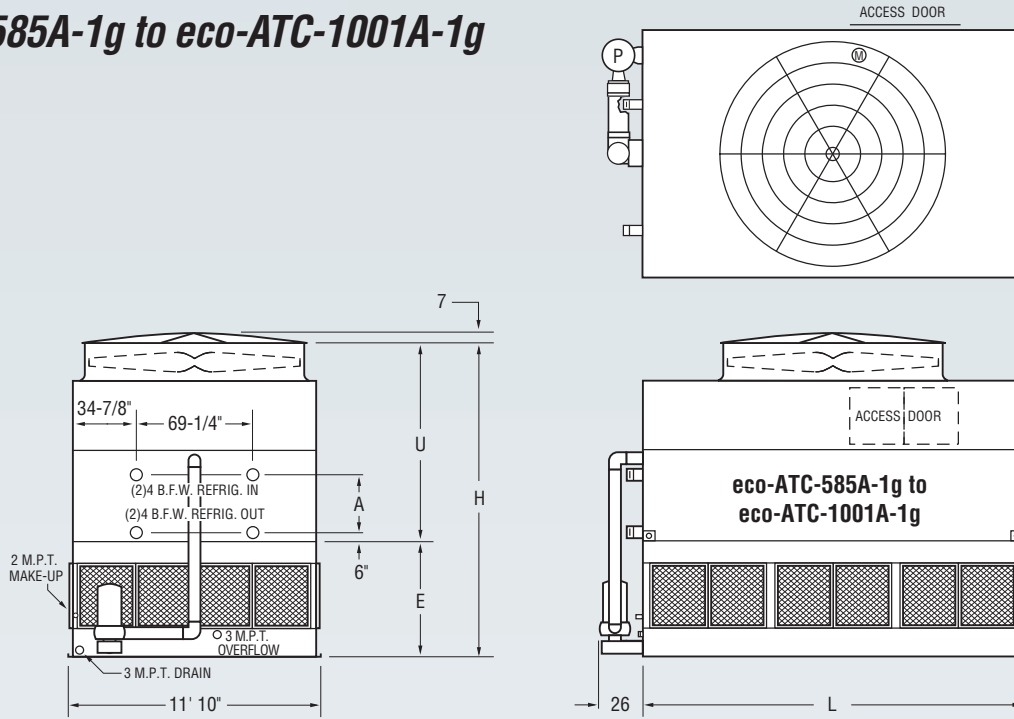


Table 18 Engineering Data

Model No.	R-717 Tons*	Fans		Weights†			Refrigerant Operating Charge lbs.***	Coil Volume ft ³	Spray Pump		Remote Pump			Dimensions				
		HP	CFM	Shipping	Operating	Heaviest Section†			HP	GPM	Gallons Req'd**	Conn. Size	Operating Weight	Height H	Upper U	Lower E	Coil A	Length L
eco-ATC-585A-1g	415	30	142,000	21,730	32,600	17,220	340	46	10	1400	800	14"	25,900	13' 9-3/8"	7' 7-1/8"	6' 2-1/4"	13-3/4"	20' 0"
eco-ATC-623A-1g	442	40	156,300	21,890	32,760	17,380	340	46	10	1400	800	14"	26,060	13' 9-3/8"	7' 7-1/8"	6' 2-1/4"	13-3/4"	20' 0"
eco-ATC-717A-1g	509	30	139,300	26,920	38,100	22,410	501	68	10	1400	800	14"	31,400	14' 5-7/8"	8' 3-5/8"	6' 2-1/4"	22-1/4"	20' 0"
eco-ATC-761A-1g	540	40	151,900	27,080	38,260	22,570	501	68	10	1400	800	14"	31,560	14' 5-7/8"	8' 3-5/8"	6' 2-1/4"	22-1/4"	20' 0"
eco-ATC-780A-1g	554	25	127,200	32,110	43,600	27,600	662	90	10	1400	800	14"	36,900	15' 2-3/8"	9' 1/8"	6' 2-1/4"	30-3/4"	20' 0"
eco-ATC-811A-1g	576	30	135,200	32,160	43,650	27,650	662	90	10	1400	800	14"	36,950	15' 2-3/8"	9' 1/8"	6' 2-1/4"	30-3/4"	20' 0"
eco-ATC-825A-1g	586	25	123,300	37,230	49,020	32,720	822	112	10	1400	800	14"	42,320	15' 10-7/8"	9' 8-5/8"	6' 2-1/4"	39-1/4"	20' 0"
eco-ATC-838A-1g	595	25	119,400	42,880	54,980	38,370	983	134	10	1400	800	14"	48,280	16' 7-3/8"	10' 5-1/8"	6' 2-1/4"	47-3/4"	20' 0"
eco-ATC-858A-1g	609	30	131,100	37,280	49,070	32,770	822	112	10	1400	800	14"	42,370	15' 10-7/8"	9' 8-5/8"	6' 2-1/4"	39-1/4"	20' 0"
eco-ATC-863A-1g	613	40	147,600	32,320	43,810	27,810	662	90	10	1400	800	14"	37,110	15' 2-3/8"	9' 1/8"	6' 2-1/4"	30-3/4"	20' 0"
eco-ATC-913A-1g	648	40	143,200	37,440	49,230	32,930	822	112	10	1400	800	14"	42,530	15' 10-7/8"	9' 8-5/8"	6' 2-1/4"	39-1/4"	20' 0"
eco-ATC-953A-1g	676	50	152,400	37,450	49,240	32,940	822	112	10	1400	800	14"	42,540	15' 10-7/8"	9' 8-5/8"	6' 2-1/4"	39-1/4"	20' 0"
eco-ATC-968A-1g	687	50	147,600	43,100	55,200	38,590	983	134	10	1400	800	14"	48,500	16' 7-3/8"	10' 5-1/8"	6' 2-1/4"	47-3/4"	20' 0"
eco-ATC-1001A-1g	710	60	155,300	43,300	55,400	38,790	983	134	10	1400	800	14"	48,700	16' 7-3/8"	10' 5-1/8"	6' 2-1/4"	47-3/4"	20' 0"

* Tons at standard conditions: 96.3°F condensing, 20°F suction and 78°F W.B.
 ** Gallons shown is water in suspension in unit and piping. Allow for additional water in bottom of remote sump to cover pump suction and strainer during operation. (12" would normally be sufficient.)
 † Heaviest section is the coil section. **Weights shown are for 1g seismic design.**
 *** Refrigerant charge is shown for R-717. Multiply by 1.93 for R-22 and 1.98 for R-134a.
 Dimensions are subject to change. Do not use for pre-fabrication. Quantity of coil connections subject to change based on refrigerant and design conditions.

Engineering Dimensions & Data

eco-ATC-650A-1g to eco-ATC-1263A-1g

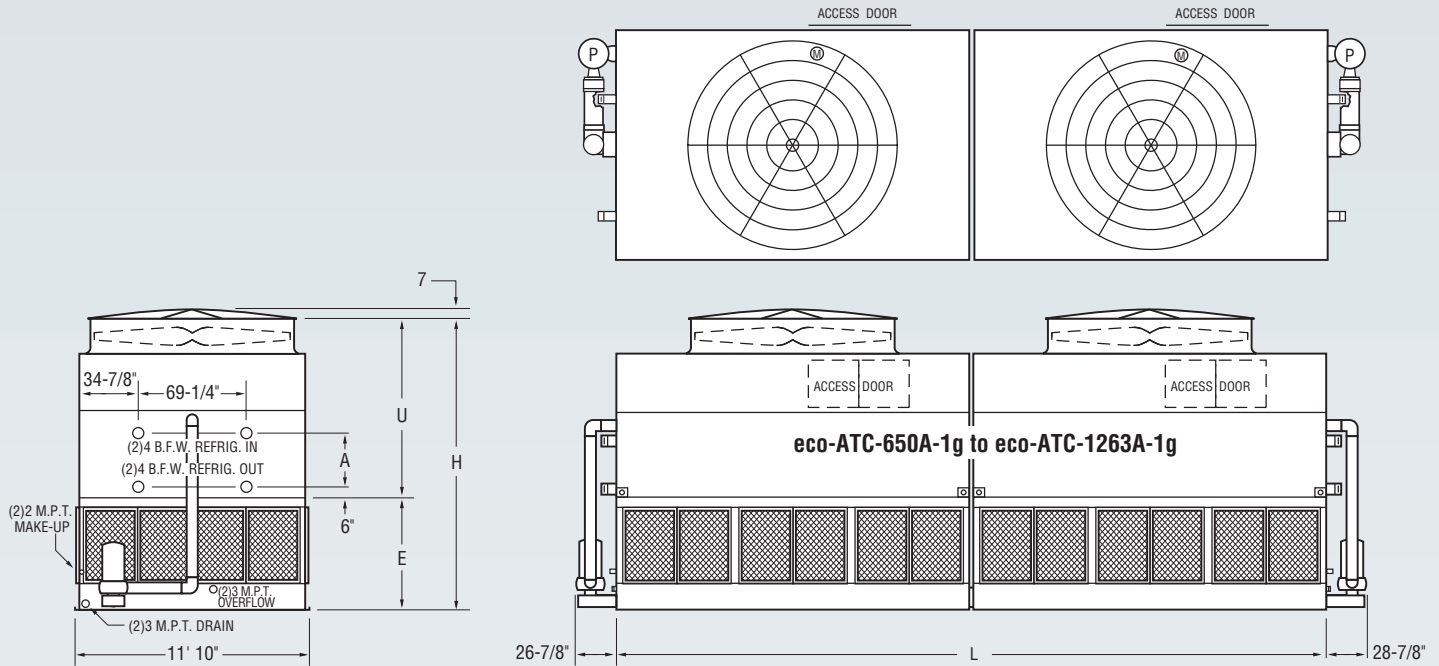


Table 19 Engineering Data

Model No.	R-717 Tons*	Fans		Weights†			Refrigerant Operating Charge lbs.***	Coil Volume ft ³	Spray Pump		Remote Pump			Dimensions				
		HP	CFM	Shipping	Operating	Heaviest Section†			HP	GPM	Gallons Req'd**	Conn. Size	Operating Weight	Height H	Upper U	Lower E	Coil A	Length L
eco-ATC-650A-1g	461	(2) 10	135,300	27,520	40,380	11,050	420	57	(2) 5	1600	980	(2) 12"	32,480	13' 9-3/8"	7' 7-1/8"	6' 2-1/4"	13-3/4"	24' 2"
eco-ATC-709A-1g	503	(2) 15	154,900	27,780	40,640	11,180	420	57	(2) 5	1600	980	(2) 12"	32,740	13' 9-3/8"	7' 7-1/8"	6' 2-1/4"	13-3/4"	24' 2"
eco-ATC-753A-1g	535	(2) 20	170,500	27,900	40,760	11,240	420	57	(2) 5	1600	980	(2) 12"	32,860	13' 9-3/8"	7' 7-1/8"	6' 2-1/4"	13-3/4"	24' 2"
eco-ATC-795A-1g	564	(2) 10	132,800	33,640	46,860	14,110	611	83	(2) 5	1600	980	(2) 12"	38,960	14' 5-7/8"	8' 3-5/8"	6' 2-1/4"	22-1/4"	24' 2"
eco-ATC-870A-1g	618	(2) 15	152,000	33,900	47,120	14,240	611	83	(2) 5	1600	980	(2) 12"	39,220	14' 5-7/8"	8' 3-5/8"	6' 2-1/4"	22-1/4"	24' 2"
eco-ATC-894A-1g	635	(2) 10	129,000	40,020	53,620	17,300	803	109	(2) 5	1600	980	(2) 12"	45,720	15' 2-3/8"	9' 1/8"	6' 2-1/4"	30-3/4"	24' 2"
eco-ATC-925A-1g	657	(2) 20	167,400	34,020	47,240	14,300	611	83	(2) 5	1600	980	(2) 12"	39,340	14' 5-7/8"	8' 3-5/8"	6' 2-1/4"	22-1/4"	24' 2"
eco-ATC-950A-1g	674	(2) 10	125,200	46,080	60,040	20,330	994	135	(2) 5	1600	980	(2) 12"	52,140	15' 10-7/8"	9' 8-5/8"	6' 2-1/4"	39-1/4"	24' 2"
eco-ATC-962A-1g	683	(2) 25	178,400	34,080	47,300	14,330	611	83	(2) 5	1600	980	(2) 12"	39,400	14' 5-7/8"	8' 3-5/8"	6' 2-1/4"	22-1/4"	24' 2"
eco-ATC-970A-1g	688	(2) 10	121,400	52,500	66,820	23,540	1185	161	(2) 5	1600	980	(2) 12"	58,920	16' 7-3/8"	10' 5-1/8"	6' 2-1/4"	47-3/4"	24' 2"
eco-ATC-979A-1g	695	(2) 15	147,600	40,280	53,880	17,430	803	109	(2) 5	1600	980	(2) 12"	45,980	15' 2-3/8"	9' 1/8"	6' 2-1/4"	30-3/4"	24' 2"
eco-ATC-1042A-1g	740	(2) 20	162,500	40,400	54,000	17,490	803	109	(2) 5	1600	980	(2) 12"	46,100	15' 2-3/8"	9' 1/8"	6' 2-1/4"	30-3/4"	24' 2"
eco-ATC-1061A-1g	753	(2) 15	138,900	52,760	67,080	23,670	1185	161	(2) 5	1600	980	(2) 12"	59,180	16' 7-3/8"	10' 5-1/8"	6' 2-1/4"	47-3/4"	24' 2"
eco-ATC-1083A-1g	769	(2) 25	173,200	40,460	54,060	17,520	803	109	(2) 5	1600	980	(2) 12"	46,160	15' 2-3/8"	9' 1/8"	6' 2-1/4"	30-3/4"	24' 2"
eco-ATC-1106A-1g	785	(2) 20	157,800	46,460	60,420	20,520	994	135	(2) 5	1600	980	(2) 12"	52,520	15' 10-7/8"	9' 8-5/8"	6' 2-1/4"	39-1/4"	24' 2"
eco-ATC-1115A-1g	791	(2) 30	182,200	40,560	54,160	17,570	803	109	(2) 5	1600	980	(2) 12"	46,260	15' 2-3/8"	9' 1/8"	6' 2-1/4"	30-3/4"	24' 2"
eco-ATC-1210A-1g	859	(2) 30	171,500	53,040	67,360	23,810	1185	161	(2) 5	1600	980	(2) 12"	59,460	16' 7-3/8"	10' 5-1/8"	6' 2-1/4"	47-3/4"	24' 2"
eco-ATC-1263A-1g	896	(2) 40	185,700	53,360	67,680	23,970	1185	161	(2) 5	1600	980	(2) 12"	59,780	16' 7-3/8"	10' 5-1/8"	6' 2-1/4"	47-3/4"	24' 2"

* Tons at standard conditions: 96.3°F condensing, 20°F suction and 78°F W.B.
 ** Gallons shown is water in suspension in unit and piping. Allow for additional water in bottom of remote sump to cover pump suction and strainer during operation. (12" would normally be sufficient.)
 † Heaviest section is the coil section. **Weights shown are for 1g seismic design.**
 *** Refrigerant charge is shown for R-717. Multiply by 1.93 for R-22 and 1.98 for R-134a.
 Dimensions are subject to change. Do not use for pre-fabrication. Quantity of coil connections subject to change based on refrigerant and design conditions.

eco-Saver Option: (Low Energy)



Engineering Dimensions & Data

eco-ATC-770A-1g to eco-ATC-1369A-1g

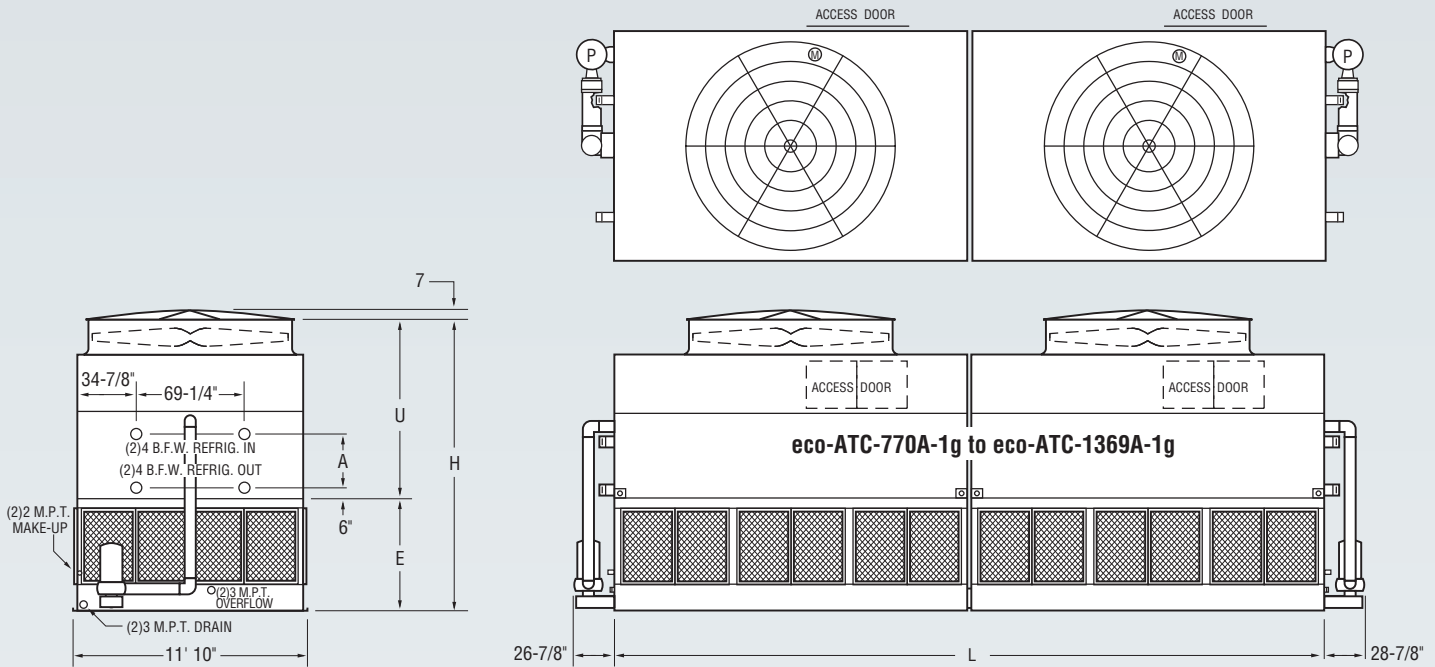


Table 20 Engineering Data

Model No.	R-717 Tons*	Fans		Weights†			Refrigerant Operating Charge lbs.***	Coil Volume ft ³	Spray Pump		Remote Pump			Dimensions				
		HP	CFM	Shipping	Operating	Heaviest Section†			HP	GPM	Gallons Req'd**	Conn. Size	Operating Weight	Height H	Upper U	Lower E	Coil A	Length L
eco-ATC-770A-1g	547	(2) 15	171,500	31,200	46,340	12,540	485	66	(2) 5	1800	1140	(2) 12"	37,200	14' 9-3/8"	7' 7-1/8"	7' 2-1/4"	13-3/4"	28' 2"
eco-ATC-815A-1g	579	(2) 20	188,700	31,320	46,460	12,600	485	66	(2) 5	1800	1140	(2) 12"	37,320	14' 9-3/8"	7' 7-1/8"	7' 2-1/4"	13-3/4"	28' 2"
eco-ATC-853A-1g	605	(2) 25	203,300	31,380	46,520	12,630	485	66	(2) 5	1800	1140	(2) 12"	37,380	14' 9-3/8"	7' 7-1/8"	7' 2-1/4"	13-3/4"	28' 2"
eco-ATC-881A-1g	625	(2) 30	216,100	31,480	46,620	12,680	485	66	(2) 5	1800	1140	(2) 12"	37,480	14' 9-3/8"	7' 7-1/8"	7' 2-1/4"	13-3/4"	28' 2"
eco-ATC-942A-1g	669	(2) 15	168,600	38,520	54,100	16,200	709	97	(2) 5	1800	1140	(2) 12"	44,960	15' 5-7/8"	8' 3-5/8"	7' 2-1/4"	22-1/4"	28' 2"
eco-ATC-998A-1g	708	(2) 20	185,500	38,640	54,220	16,260	709	97	(2) 5	1800	1140	(2) 12"	45,080	15' 5-7/8"	8' 3-5/8"	7' 2-1/4"	22-1/4"	28' 2"
eco-ATC-1045A-1g	742	(2) 25	199,400	38,700	54,280	16,290	709	97	(2) 5	1800	1140	(2) 12"	45,140	15' 5-7/8"	8' 3-5/8"	7' 2-1/4"	22-1/4"	28' 2"
eco-ATC-1064A-1g	755	(2) 15	163,600	45,960	61,960	19,920	933	127	(2) 5	1800	1140	(2) 12"	52,820	16' 2-3/8"	9' 1/8"	7' 2-1/4"	30-3/4"	28' 2"
eco-ATC-1077A-1g	764	(2) 30	209,900	38,800	54,380	16,340	709	97	(2) 5	1800	1140	(2) 12"	45,240	15' 5-7/8"	8' 3-5/8"	7' 2-1/4"	22-1/4"	28' 2"
eco-ATC-1127A-1g	800	(2) 15	158,700	52,940	69,380	23,410	1157	158	(2) 5	1800	1140	(2) 12"	60,240	16' 10-7/8"	9' 8-5/8"	7' 2-1/4"	39-1/4"	28' 2"
eco-ATC-1129A-1g	801	(2) 20	180,100	46,080	62,080	19,980	933	127	(2) 5	1800	1140	(2) 12"	52,940	16' 2-3/8"	9' 1/8"	7' 2-1/4"	30-3/4"	28' 2"
eco-ATC-1149A-1g	815	(2) 15	153,800	61,020	77,880	27,450	1380	188	(2) 5	1800	1140	(2) 12"	68,740	17' 7-3/8"	10' 5-1/8"	7' 2-1/4"	47-3/4"	28' 2"
eco-ATC-1195A-1g	848	(2) 20	174,700	53,060	69,500	23,470	1157	158	(2) 5	1800	1140	(2) 12"	60,360	16' 10-7/8"	9' 8-5/8"	7' 2-1/4"	39-1/4"	28' 2"
eco-ATC-1216A-1g	863	(2) 30	203,800	46,240	62,240	20,060	933	127	(2) 5	1800	1140	(2) 12"	53,100	16' 2-3/8"	9' 1/8"	7' 2-1/4"	30-3/4"	28' 2"
eco-ATC-1218A-1g	864	(2) 20	169,200	61,140	78,000	27,510	1380	188	(2) 5	1800	1140	(2) 12"	68,860	17' 7-3/8"	10' 5-1/8"	7' 2-1/4"	47-3/4"	28' 2"
eco-ATC-1274A-1g	904	(2) 25	182,100	61,200	78,060	27,540	1380	188	(2) 5	1800	1140	(2) 12"	68,920	17' 7-3/8"	10' 5-1/8"	7' 2-1/4"	47-3/4"	28' 2"
eco-ATC-1288A-1g	914	(2) 30	197,700	53,220	69,660	23,550	1157	158	(2) 5	1800	1140	(2) 12"	60,520	16' 10-7/8"	9' 8-5/8"	7' 2-1/4"	39-1/4"	28' 2"
eco-ATC-1312A-1g	931	(2) 30	191,600	61,300	78,160	27,590	1380	188	(2) 5	1800	1140	(2) 12"	69,020	17' 7-3/8"	10' 5-1/8"	7' 2-1/4"	47-3/4"	28' 2"
eco-ATC-1344A-1g	954	(2) 40	214,400	53,540	69,980	23,710	1157	158	(2) 5	1800	1140	(2) 12"	60,840	16' 10-7/8"	9' 8-5/8"	7' 2-1/4"	39-1/4"	28' 2"
eco-ATC-1369A-1g	971	(2) 40	207,600	61,620	78,480	27,750	1380	188	(2) 5	1800	1140	(2) 12"	69,340	17' 7-3/8"	10' 5-1/8"	7' 2-1/4"	47-3/4"	28' 2"

* Tons at standard conditions: 96.3°F condensing, 20°F suction and 78°F W.B.
 ** Gallons shown is water in suspension in unit and piping. Allow for additional water in bottom of remote sump to cover pump suction and strainer during operation. (12" would normally be sufficient.)
 † Heaviest section is the coil section. **Weights shown are for 1g seismic design.**
 *** Refrigerant charge is shown for R-717. Multiply by 1.93 for R-22 and 1.98 for R-134a.
 Dimensions are subject to change. Do not use for pre-fabrication. Quantity of coil connections subject to change based on refrigerant and design conditions.

eco-Saver Option: (Low Energy)

Engineering Dimensions & Data

eco-ATC-1020A-1g to eco-ATC-1897A-1g

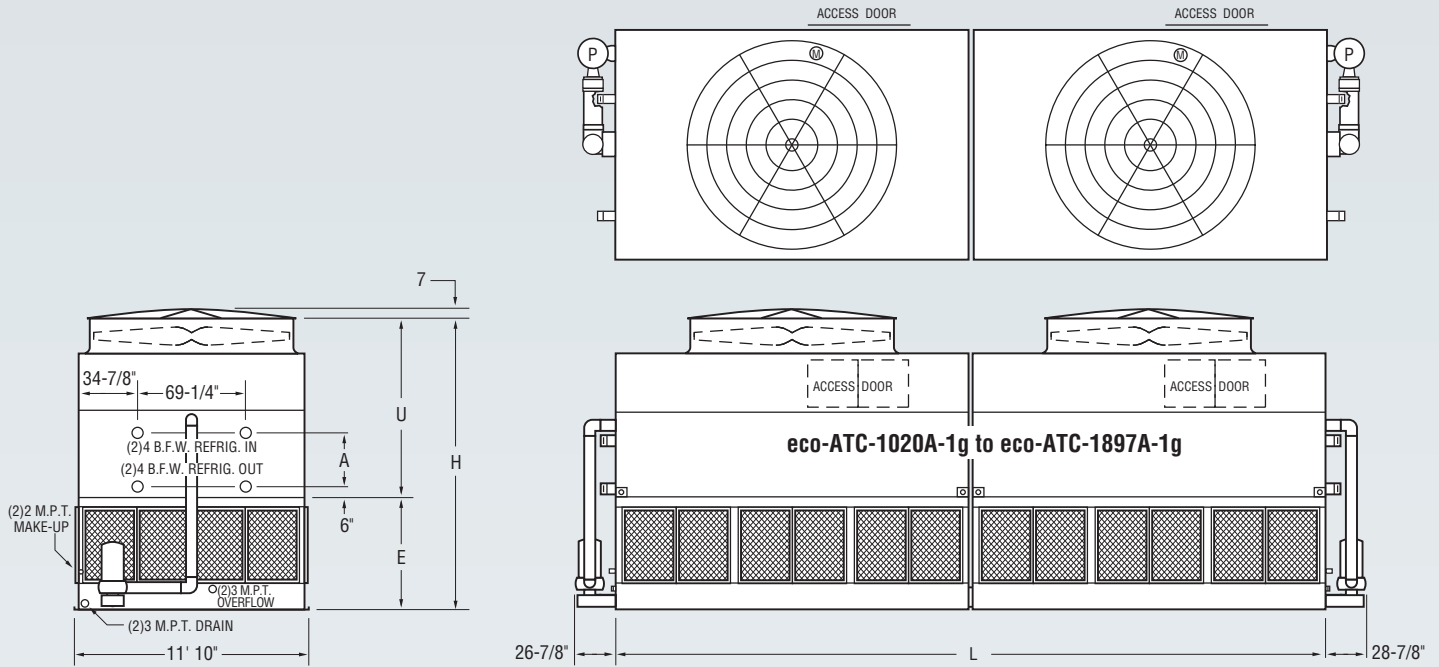


Table 21 Engineering Data

Model No.	R-717 Tons*	Fans		Weights†			Refrigerant Operating Charge lbs.***	Coil Volume ft ³	Spray Pump		Remote Pump			Dimensions				
		HP	CFM	Shipping	Operating	Heaviest Section†			HP	GPM	Gallons Req'd**	Conn. Size	Operating Weight	Height H	Upper U	Lower E	Coil A	Length L
eco-ATC-1020A-1g	724	(2) 20	233,100	39,440	58,820	15,800	616	84	(2) 7.5	2400	1440	(2) 12"	47,080	14' 9-3/8"	7' 7-1/8"	7' 2-1/4"	13-3/4"	36' 2-1/2"
eco-ATC-1076A-1g	764	(2) 25	251,100	39,500	58,880	15,830	616	84	(2) 7.5	2400	1440	(2) 12"	47,140	14' 9-3/8"	7' 7-1/8"	7' 2-1/4"	13-3/4"	36' 2-1/2"
eco-ATC-1125A-1g	798	(2) 30	266,900	39,600	58,980	15,880	616	84	(2) 7.5	2400	1440	(2) 12"	47,240	14' 9-3/8"	7' 7-1/8"	7' 2-1/4"	13-3/4"	36' 2-1/2"
eco-ATC-1249A-1g	886	(2) 20	226,700	48,600	68,520	20,380	904	123	(2) 7.5	2400	1440	(2) 12"	56,780	15' 5-7/8"	8' 3-5/8"	7' 2-1/4"	22-1/4"	36' 2-1/2"
eco-ATC-1294A-1g	918	(2) 15	200,000	58,000	78,480	25,080	1193	163	(2) 7.5	2400	1440	(2) 12"	66,740	16' 2-3/8"	9' 1/8"	7' 2-1/4"	30-3/4"	36' 2-1/2"
eco-ATC-1317A-1g	935	(2) 25	244,200	48,660	68,580	20,410	904	123	(2) 7.5	2400	1440	(2) 12"	56,840	15' 5-7/8"	8' 3-5/8"	7' 2-1/4"	22-1/4"	36' 2-1/2"
eco-ATC-1376A-1g	976	(2) 30	259,500	48,760	68,680	20,460	904	123	(2) 7.5	2400	1440	(2) 12"	56,940	15' 5-7/8"	8' 3-5/8"	7' 2-1/4"	22-1/4"	36' 2-1/2"
eco-ATC-1400A-1g	993	(2) 20	220,100	58,120	78,600	25,140	1193	163	(2) 7.5	2400	1440	(2) 12"	66,860	16' 2-3/8"	9' 1/8"	7' 2-1/4"	30-3/4"	36' 2-1/2"
eco-ATC-1416A-1g	1005	(2) 15	187,900	76,500	98,100	34,330	1771	241	(2) 7.5	2400	1440	(2) 12"	86,360	17' 7-3/8"	10' 5-1/8"	7' 2-1/4"	47-3/4"	36' 2-1/2"
eco-ATC-1488A-1g	1056	(2) 25	236,700	58,180	78,660	25,170	1193	163	(2) 7.5	2400	1440	(2) 12"	66,920	16' 2-3/8"	9' 1/8"	7' 2-1/4"	30-3/4"	36' 2-1/2"
eco-ATC-1514A-1g	1074	(2) 20	206,800	76,620	98,220	34,390	1771	241	(2) 7.5	2400	1440	(2) 12"	86,480	17' 7-3/8"	10' 5-1/8"	7' 2-1/4"	47-3/4"	36' 2-1/2"
eco-ATC-1554A-1g	1103	(2) 30	252,000	58,280	78,760	25,220	1193	163	(2) 7.5	2400	1440	(2) 12"	67,020	16' 2-3/8"	9' 1/8"	7' 2-1/4"	30-3/4"	36' 2-1/2"
eco-ATC-1570A-1g	1114	(2) 25	229,800	67,380	88,420	29,770	1482	202	(2) 7.5	2400	1440	(2) 12"	76,680	16' 10-7/8"	9' 8-5/8"	7' 2-1/4"	39-1/4"	36' 2-1/2"
eco-ATC-1598A-1g	1134	(2) 25	222,800	76,680	98,280	34,420	1771	241	(2) 7.5	2400	1440	(2) 12"	86,540	17' 7-3/8"	10' 5-1/8"	7' 2-1/4"	47-3/4"	36' 2-1/2"
eco-ATC-1641A-1g	1164	(2) 30	244,200	67,480	88,520	29,820	1482	202	(2) 7.5	2400	1440	(2) 12"	76,780	16' 10-7/8"	9' 8-5/8"	7' 2-1/4"	39-1/4"	36' 2-1/2"
eco-ATC-1669A-1g	1184	(2) 30	236,700	76,780	98,380	34,470	1771	241	(2) 7.5	2400	1440	(2) 12"	86,640	17' 7-3/8"	10' 5-1/8"	7' 2-1/4"	47-3/4"	36' 2-1/2"
eco-ATC-1738A-1g	1233	(2) 40	265,100	67,800	88,840	29,980	1482	202	(2) 7.5	2400	1440	(2) 12"	77,100	16' 10-7/8"	9' 8-5/8"	7' 2-1/4"	39-1/4"	36' 2-1/2"
eco-ATC-1770A-1g	1256	(2) 40	256,800	77,100	98,700	34,630	1771	241	(2) 7.5	2400	1440	(2) 12"	86,960	17' 7-3/8"	10' 5-1/8"	7' 2-1/4"	47-3/4"	36' 2-1/2"
eco-ATC-1847A-1g	1310	(2) 50	273,400	77,120	98,720	34,640	1771	241	(2) 7.5	2400	1440	(2) 12"	86,980	17' 7-3/8"	10' 5-1/8"	7' 2-1/4"	47-3/4"	36' 2-1/2"

* Tons at standard conditions: 96.3°F condensing, 20°F suction and 78°F W.B.
 ** Gallons shown is water in suspension in unit and piping. Allow for additional water in bottom of remote sump to cover pump suction and strainer during operation. (12" would normally be sufficient.)
 † Heaviest section is the coil section. **Weights shown are for 1g seismic design.**
 *** Refrigerant charge is shown for R-717. Multiply by 1.93 for R-22 and 1.98 for R-134a.
 Dimensions are subject to change. Do not use for pre-fabrication. Quantity of coil connections subject to change based on refrigerant and design conditions.

eco-Saver Option: (Low Energy)



Engineering Dimensions & Data

eco-ATC-1120A-1g to eco-ATC-1993A-1g

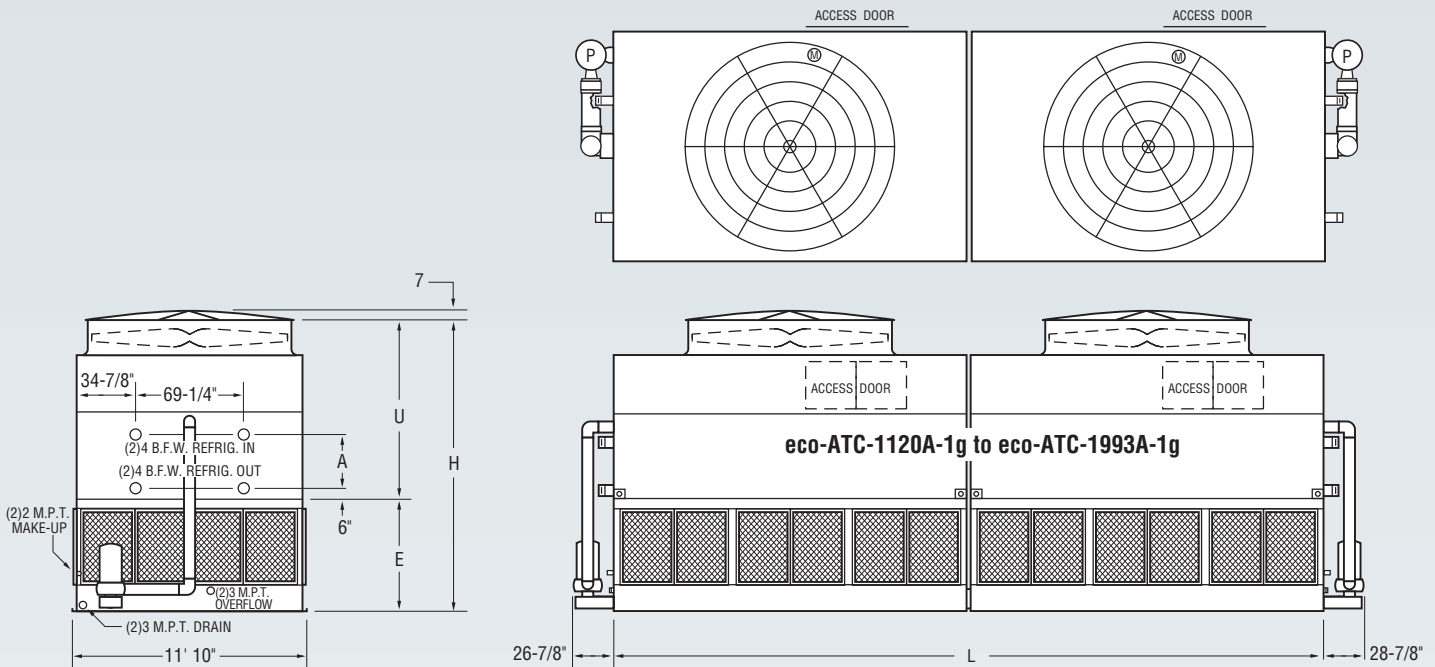


Table 21 Engineering Data

Model No.	R-717 Tons*	Fans		Weights†			Refrigerant Operating Charge lbs.***	Coil Volume ft ³	Spray Pump		Remote Pump			Dimensions				
		HP	CFM	Shipping	Operating	Heaviest Section†			HP	GPM	Gallons Req'd**	Conn. Size	Operating Weight	Height H	Upper U	Lower E	Coil A	Length L
eco-ATC-1120A-1g	795	(2) 25	267,300	43,360	65,100	17,170	681	93	(2) 10	2800	1600	(2) 14"	51,700	14' 9-3/8"	7' 7-1/8"	7' 2-1/4"	13-3/4"	40' 2-1/2"
eco-ATC-1165A-1g	827	(2) 30	284,000	43,460	65,200	17,220	681	93	(2) 10	2800	1600	(2) 14"	51,800	14' 9-3/8"	7' 7-1/8"	7' 2-1/4"	13-3/4"	40' 2-1/2"
eco-ATC-1239A-1g	879	(2) 40	312,600	43,780	65,520	17,380	681	93	(2) 10	2800	1600	(2) 14"	52,120	14' 9-3/8"	7' 7-1/8"	7' 2-1/4"	13-3/4"	40' 2-1/2"
eco-ATC-1371A-1g	973	(2) 25	262,200	53,740	76,100	22,360	1002	137	(2) 10	2800	1600	(2) 14"	62,700	15' 5-7/8"	8' 3-5/8"	7' 2-1/4"	22-1/4"	40' 2-1/2"
eco-ATC-1426A-1g	1012	(2) 30	278,600	53,840	76,200	22,410	1002	137	(2) 10	2800	1600	(2) 14"	62,800	15' 5-7/8"	8' 3-5/8"	7' 2-1/4"	22-1/4"	40' 2-1/2"
eco-ATC-1517A-1g	1076	(2) 40	303,800	54,160	76,520	22,570	1002	137	(2) 10	2800	1600	(2) 14"	63,120	15' 5-7/8"	8' 3-5/8"	7' 2-1/4"	22-1/4"	40' 2-1/2"
eco-ATC-1553A-1g	1102	(2) 25	254,400	64,220	87,200	27,600	1323	180	(2) 10	2800	1600	(2) 14"	73,800	16' 2-3/8"	9' 1/8"	7' 2-1/4"	30-3/4"	40' 2-1/2"
eco-ATC-1615A-1g	1146	(2) 30	270,400	64,320	87,300	27,650	1323	180	(2) 10	2800	1600	(2) 14"	73,900	16' 2-3/8"	9' 1/8"	7' 2-1/4"	30-3/4"	40' 2-1/2"
eco-ATC-1642A-1g	1165	(2) 25	246,600	74,460	98,040	32,720	1645	224	(2) 10	2800	1600	(2) 14"	84,640	16' 10-7/8"	9' 8-5/8"	7' 2-1/4"	39-1/4"	40' 2-1/2"
eco-ATC-1718A-1g	1219	(2) 40	295,100	64,640	87,620	27,810	1323	180	(2) 10	2800	1600	(2) 14"	74,220	16' 2-3/8"	9' 1/8"	7' 2-1/4"	30-3/4"	40' 2-1/2"
eco-ATC-1735A-1g	1231	(2) 30	253,900	85,860	110,060	38,420	1966	268	(2) 10	2800	1600	(2) 14"	96,660	17' 7-3/8"	10' 5-1/8"	7' 2-1/4"	47-3/4"	40' 2-1/2"
eco-ATC-1817A-1g	1289	(2) 40	286,400	74,880	98,460	32,930	1645	224	(2) 10	2800	1600	(2) 14"	85,060	16' 10-7/8"	9' 8-5/8"	7' 2-1/4"	39-1/4"	40' 2-1/2"
eco-ATC-1846A-1g	1310	(2) 40	277,100	86,180	110,380	38,580	1966	268	(2) 10	2800	1600	(2) 14"	96,980	17' 7-3/8"	10' 5-1/8"	7' 2-1/4"	47-3/4"	40' 2-1/2"
eco-ATC-1897A-1g	1346	(2) 50	304,800	74,900	98,480	32,940	1645	224	(2) 10	2800	1600	(2) 14"	85,080	16' 10-7/8"	9' 8-5/8"	7' 2-1/4"	39-1/4"	40' 2-1/2"
eco-ATC-1927A-1g	1367	(2) 50	295,100	86,200	110,400	38,590	1966	268	(2) 10	2800	1600	(2) 14"	97,000	17' 7-3/8"	10' 5-1/8"	7' 2-1/4"	47-3/4"	40' 2-1/2"
eco-ATC-1993A-1g	1414	(2) 60	310,600	86,600	110,800	38,790	1966	268	(2) 10	2800	1600	(2) 14"	97,400	17' 7-3/8"	10' 5-1/8"	7' 2-1/4"	47-3/4"	40' 2-1/2"

* Tons at standard conditions: 96.3°F condensing, 20°F suction and 78°F W.B.
 ** Gallons shown is water in suspension in unit and piping. Allow for additional water in bottom of remote sump to cover pump suction and strainer during operation. (12" would normally be sufficient.)
 † Heaviest section is the coil section. **Weights shown are for 1g seismic design.**
 *** Refrigerant charge is shown for R-717. Multiply by 1.93 for R-22 and 1.98 for R-134a.
 Dimensions are subject to change. Do not use for pre-fabrication. Quantity of coil connections subject to change based on refrigerant and design conditions.

Engineering Dimensions & Data

eco-ATC-710A-1g to eco-ATC-1264A-1g

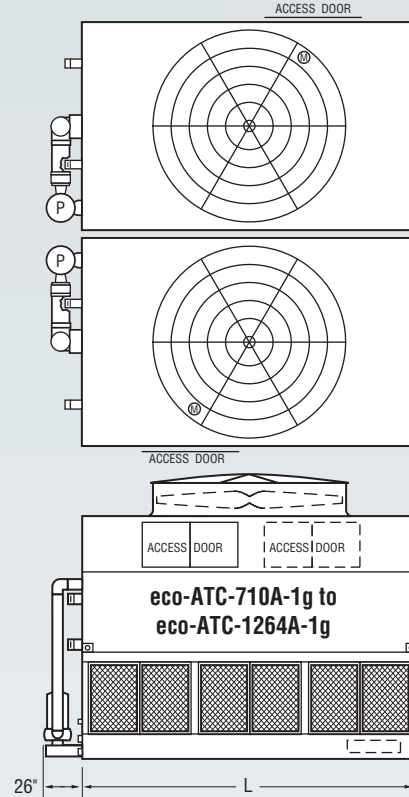
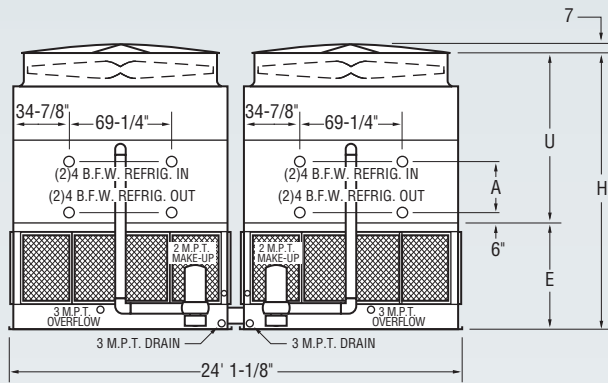


Table 22 Engineering Data

Model No.	R-717 Tons*	Fans		Weights†			Refrigerant Operating Charge lbs.***	Coil Volume ft ³	Spray Pump		Remote Pump			Dimensions				
		HP	CFM	Shipping	Operating	Heaviest Section†			HP	GPM	Gallons Req'd**	Conn. Size	Operating Weight	Height H	Upper U	Lower E	Coil A	Length L
eco-ATC-710A-1g	504	(2) 15	154,900	27,780	40,640	11,180	420	57	(2) 5	1600	980	(2) 12"	32,740	13' 9-3/8"	7' 7-1/8"	6' 2-1/4"	13-3/4"	11' 11-3/4"
eco-ATC-787A-1g	559	(2) 25	183,700	27,960	40,820	11,270	420	57	(2) 5	1600	980	(2) 12"	32,920	13' 9-3/8"	7' 7-1/8"	6' 2-1/4"	13-3/4"	11' 11-3/4"
eco-ATC-796A-1g	565	(2) 10	132,800	33,640	46,860	14,110	611	83	(2) 5	1600	980	(2) 12"	38,960	14' 5-7/8"	8' 3-5/8"	6' 2-1/4"	22-1/4"	11' 11-3/4"
eco-ATC-871A-1g	618	(2) 15	152,000	33,900	47,120	14,240	611	83	(2) 5	1600	980	(2) 12"	39,220	14' 5-7/8"	8' 3-5/8"	6' 2-1/4"	22-1/4"	11' 11-3/4"
eco-ATC-926A-1g	657	(2) 20	167,400	34,020	47,240	14,300	611	83	(2) 5	1600	980	(2) 12"	39,340	14' 5-7/8"	8' 3-5/8"	6' 2-1/4"	22-1/4"	11' 11-3/4"
eco-ATC-951A-1g	675	(2) 10	125,200	46,080	60,040	20,330	994	135	(2) 5	1600	980	(2) 12"	52,140	15' 10-7/8"	9' 8-5/8"	6' 2-1/4"	39-1/4"	11' 11-3/4"
eco-ATC-963A-1g	683	(2) 25	178,400	34,080	47,300	14,330	611	83	(2) 5	1600	980	(2) 12"	39,400	14' 5-7/8"	8' 3-5/8"	6' 2-1/4"	22-1/4"	11' 11-3/4"
eco-ATC-971A-1g	689	(2) 10	121,400	52,500	66,820	23,540	1185	161	(2) 5	1600	980	(2) 12"	58,920	16' 7-3/8"	10' 5-1/8"	6' 2-1/4"	47-3/4"	11' 11-3/4"
eco-ATC-980A-1g	696	(2) 15	147,600	40,280	53,880	17,430	803	109	(2) 5	1600	980	(2) 12"	45,980	15' 2-3/8"	9' 1/8"	6' 2-1/4"	30-3/4"	11' 11-3/4"
eco-ATC-1039A-1g	737	(2) 15	143,300	46,340	60,300	20,460	994	135	(2) 5	1600	980	(2) 12"	52,400	15' 10-7/8"	9' 8-5/8"	6' 2-1/4"	39-1/4"	11' 11-3/4"
eco-ATC-1043A-1g	740	(2) 20	162,500	40,400	54,000	17,490	803	109	(2) 5	1600	980	(2) 12"	46,100	15' 2-3/8"	9' 1/8"	6' 2-1/4"	30-3/4"	11' 11-3/4"
eco-ATC-1062A-1g	754	(2) 15	138,900	52,760	67,080	23,670	1185	161	(2) 5	1600	980	(2) 12"	59,180	16' 7-3/8"	10' 5-1/8"	6' 2-1/4"	47-3/4"	11' 11-3/4"
eco-ATC-1084A-1g	769	(2) 25	173,200	40,460	54,060	17,520	803	109	(2) 5	1600	980	(2) 12"	46,160	15' 2-3/8"	9' 1/8"	6' 2-1/4"	30-3/4"	11' 11-3/4"
eco-ATC-1116A-1g	792	(2) 30	182,200	40,560	54,160	17,570	803	109	(2) 5	1600	980	(2) 12"	46,260	15' 2-3/8"	9' 1/8"	6' 2-1/4"	30-3/4"	11' 11-3/4"
eco-ATC-1132A-1g	803	(2) 20	152,900	52,880	67,200	23,730	1185	161	(2) 5	1600	980	(2) 12"	59,300	16' 7-3/8"	10' 5-1/8"	6' 2-1/4"	47-3/4"	11' 11-3/4"
eco-ATC-1152A-1g	818	(2) 25	168,000	46,520	60,480	20,550	994	135	(2) 5	1600	980	(2) 12"	52,580	15' 10-7/8"	9' 8-5/8"	6' 2-1/4"	39-1/4"	11' 11-3/4"
eco-ATC-1176A-1g	835	(2) 25	162,700	52,940	67,260	23,760	1185	161	(2) 5	1600	980	(2) 12"	59,360	16' 7-3/8"	10' 5-1/8"	6' 2-1/4"	47-3/4"	11' 11-3/4"
eco-ATC-1186A-1g	842	(2) 30	177,000	46,620	60,580	20,600	994	135	(2) 5	1600	980	(2) 12"	52,680	15' 10-7/8"	9' 8-5/8"	6' 2-1/4"	39-1/4"	11' 11-3/4"
eco-ATC-1211A-1g	859	(2) 30	171,500	53,040	67,360	23,810	1185	161	(2) 5	1600	980	(2) 12"	59,460	16' 7-3/8"	10' 5-1/8"	6' 2-1/4"	47-3/4"	11' 11-3/4"
eco-ATC-1264A-1g	897	(2) 40	185,700	53,360	67,680	23,970	1185	161	(2) 5	1600	980	(2) 12"	59,780	16' 7-3/8"	10' 5-1/8"	6' 2-1/4"	47-3/4"	11' 11-3/4"

* Tons at standard conditions: 96.3°F condensing, 20°F suction and 78°F W.B.

** Gallons shown is water in suspension in unit and piping. Allow for additional water in bottom of remote sump to cover pump suction and strainer during operation. (12" would normally be sufficient.)

† Heaviest section is the coil section. **Weights shown are for 1g seismic design.**

*** Refrigerant charge is shown for R-717. Multiply by 1.93 for R-22 and 1.98 for R-134a.

Dimensions are subject to change. Do not use for pre-fabrication. Quantity of coil connections subject to change based on refrigerant and design conditions.

eco-Saver Option: (Low Energy)



Engineering Dimensions & Data

eco-ATC-816A-1g to eco-ATC-1370A-1g

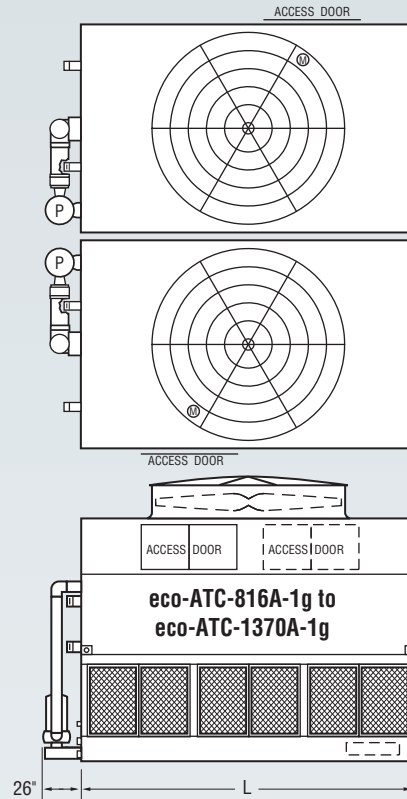
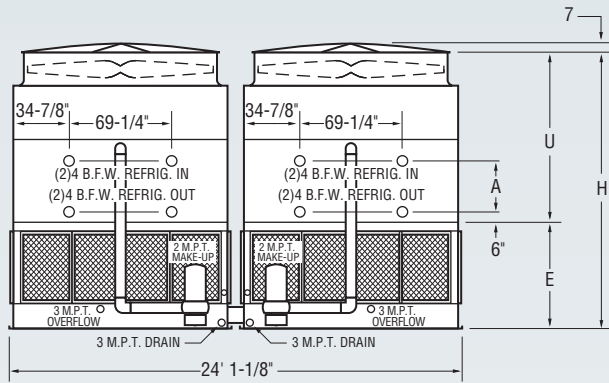


Table 23 Engineering Data

Model No.	R-717 Tons*	Fans		Weights†			Refrigerant Operating Charge lbs.***	Coil Volume ft ³	Spray Pump		Remote Pump			Dimensions				
		HP	CFM	Shipping	Operating	Heaviest Section†			HP	GPM	Gallons Req'd**	Conn. Size	Operating Weight	Height H	Upper U	Lower E	Coil A	Length L
eco-ATC-816A-1g	579	(2) 20	188,700	31,320	46,460	12,600	485	66	(2) 5	1800	1140	(2) 12"	37,320	14' 9-3/8"	7' 7-1/8"	7' 2-1/4"	13-3/4"	13' 11-3/4"
eco-ATC-854A-1g	606	(2) 25	203,300	31,380	46,520	12,630	485	66	(2) 5	1800	1140	(2) 12"	37,380	14' 9-3/8"	7' 7-1/8"	7' 2-1/4"	13-3/4"	13' 11-3/4"
eco-ATC-880A-1g	625	(2) 30	216,100	31,480	46,620	12,680	485	66	(2) 5	1800	1140	(2) 12"	37,480	14' 9-3/8"	7' 7-1/8"	7' 2-1/4"	13-3/4"	13' 11-3/4"
eco-ATC-943A-1g	669	(2) 15	168,600	38,520	54,100	16,200	709	97	(2) 5	1800	1140	(2) 12"	44,960	15' 5-7/8"	8' 3-5/8"	7' 2-1/4"	22-1/4"	13' 11-3/4"
eco-ATC-999A-1g	709	(2) 20	185,500	38,640	54,220	16,260	709	97	(2) 5	1800	1140	(2) 12"	45,080	15' 5-7/8"	8' 3-5/8"	7' 2-1/4"	22-1/4"	13' 11-3/4"
eco-ATC-1046A-1g	742	(2) 25	199,400	38,700	54,280	16,290	709	97	(2) 5	1800	1140	(2) 12"	45,140	15' 5-7/8"	8' 3-5/8"	7' 2-1/4"	22-1/4"	13' 11-3/4"
eco-ATC-1078A-1g	765	(2) 30	209,900	38,800	54,380	16,340	709	97	(2) 5	1800	1140	(2) 12"	45,240	15' 5-7/8"	8' 3-5/8"	7' 2-1/4"	22-1/4"	13' 11-3/4"
eco-ATC-1130A-1g	802	(2) 20	180,100	46,080	62,080	19,980	933	127	(2) 5	1800	1140	(2) 12"	52,940	16' 2-3/8"	9' 1/8"	7' 2-1/4"	30-3/4"	13' 11-3/4"
eco-ATC-1196A-1g	849	(2) 20	174,700	53,060	69,500	23,470	1157	158	(2) 5	1800	1140	(2) 12"	60,360	16' 10-7/8"	9' 8-5/8"	7' 2-1/4"	39-1/4"	13' 11-3/4"
eco-ATC-1217A-1g	864	(2) 30	203,800	46,240	62,240	20,060	933	127	(2) 5	1800	1140	(2) 12"	53,100	16' 2-3/8"	9' 1/8"	7' 2-1/4"	30-3/4"	13' 11-3/4"
eco-ATC-1219A-1g	865	(2) 20	169,200	61,140	78,000	27,510	1380	188	(2) 5	1800	1140	(2) 12"	68,860	17' 7-3/8"	10' 5-1/8"	7' 2-1/4"	47-3/4"	13' 11-3/4"
eco-ATC-1251A-1g	888	(2) 25	187,900	53,120	69,560	23,500	1157	158	(2) 5	1800	1140	(2) 12"	60,420	16' 10-7/8"	9' 8-5/8"	7' 2-1/4"	39-1/4"	13' 11-3/4"
eco-ATC-1275A-1g	905	(2) 25	182,100	61,200	78,060	27,540	1380	188	(2) 5	1800	1140	(2) 12"	68,920	17' 7-3/8"	10' 5-1/8"	7' 2-1/4"	47-3/4"	13' 11-3/4"
eco-ATC-1289A-1g	915	(2) 30	197,700	53,220	69,660	23,550	1157	158	(2) 5	1800	1140	(2) 12"	60,520	16' 10-7/8"	9' 8-5/8"	7' 2-1/4"	39-1/4"	13' 11-3/4"
eco-ATC-1345A-1g	954	(2) 40	214,400	53,540	69,980	23,710	1157	158	(2) 5	1800	1140	(2) 12"	60,840	16' 10-7/8"	9' 8-5/8"	7' 2-1/4"	39-1/4"	13' 11-3/4"
eco-ATC-1370A-1g	972	(2) 40	207,600	61,620	78,480	27,750	1380	188	(2) 5	1800	1140	(2) 12"	69,340	17' 7-3/8"	10' 5-1/8"	7' 2-1/4"	47-3/4"	13' 11-3/4"

* Tons at standard conditions: 96.3°F condensing, 20°F suction and 78°F W.B.
 ** Gallons shown is water in suspension in unit and piping. Allow for additional water in bottom of remote sump to cover pump suction and strainer during operation. (12" would normally be sufficient.)
 † Heaviest section is the coil section. **Weights shown are for 1g seismic design.**
 *** Refrigerant charge is shown for R-717. Multiply by 1.93 for R-22 and 1.98 for R-134a.
 Dimensions are subject to change. Do not use for pre-fabrication. Quantity of coil connections subject to change based on refrigerant and design conditions.

eco-Saver Option: (Low Energy)

Engineering Dimensions & Data

eco-ATC-1021A-1g to eco-ATC-1848A-1g

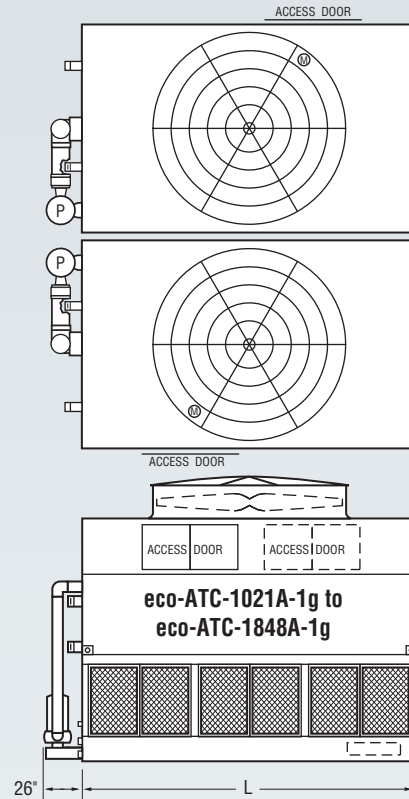
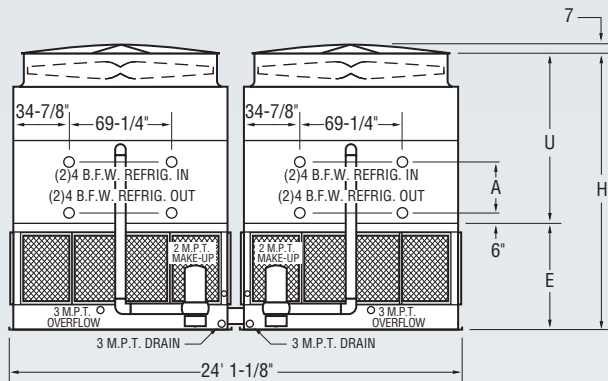


Table 24 Engineering Data

Model No.	R-717 Tons*	Fans		Weights†			Refrigerant Operating Charge lbs.***	Coil Volume ft ³	Spray Pump		Remote Pump			Dimensions				
		HP	CFM	Shipping	Operating	Heaviest Section†			HP	GPM	Gallons Req'd**	Conn. Size	Operating Weight	Height H	Upper U	Lower E	Coil A	Length L
eco-ATC-1021A-1g	725	(2) 20	233,100	39,440	58,820	15,800	616	84	(2) 7.5	2400	1440	(2) 12"	47,080	15' 9-3/8"	7' 7-1/8"	8' 2-1/4"	13-3/4"	18' 0"
eco-ATC-1079A-1g	766	(2) 25	251,100	39,500	58,880	15,830	616	84	(2) 7.5	2400	1440	(2) 12"	47,140	15' 9-3/8"	7' 7-1/8"	8' 2-1/4"	13-3/4"	18' 0"
eco-ATC-1126A-1g	799	(2) 30	266,900	39,600	58,980	15,880	616	84	(2) 7.5	2400	1440	(2) 12"	47,240	15' 9-3/8"	7' 7-1/8"	8' 2-1/4"	13-3/4"	18' 0"
eco-ATC-1250A-1g	887	(2) 20	226,700	48,600	68,520	20,380	904	123	(2) 7.5	2400	1440	(2) 12"	56,780	16' 5-7/8"	8' 3-5/8"	8' 2-1/4"	22-1/4"	18' 0"
eco-ATC-1295A-1g	919	(2) 15	200,000	58,000	78,480	25,080	1193	163	(2) 7.5	2400	1440	(2) 12"	66,740	17' 2-3/8"	9' 1/8"	8' 2-1/4"	30-3/4"	18' 0"
eco-ATC-1377A-1g	977	(2) 30	259,500	48,760	68,680	20,460	904	123	(2) 7.5	2400	1440	(2) 12"	56,940	16' 5-7/8"	8' 3-5/8"	8' 2-1/4"	22-1/4"	18' 0"
eco-ATC-1391A-1g	987	(2) 15	193,800	67,200	88,240	29,680	1482	202	(2) 7.5	2400	1440	(2) 12"	76,500	17' 10-7/8"	9' 8-5/8"	8' 2-1/4"	39-1/4"	18' 0"
eco-ATC-1401A-1g	994	(2) 20	220,100	58,120	78,600	25,140	1193	163	(2) 7.5	2400	1440	(2) 12"	66,860	17' 2-3/8"	9' 1/8"	8' 2-1/4"	30-3/4"	18' 0"
eco-ATC-1415A-1g	1004	(2) 15	187,900	76,500	98,100	34,330	1771	241	(2) 7.5	2400	1440	(2) 12"	86,360	18' 7-3/8"	10' 5-1/8"	8' 2-1/4"	47-3/4"	18' 0"
eco-ATC-1491A-1g	1058	(2) 20	213,300	67,320	88,360	29,740	1482	202	(2) 7.5	2400	1440	(2) 12"	76,620	17' 10-7/8"	9' 8-5/8"	8' 2-1/4"	39-1/4"	18' 0"
eco-ATC-1515A-1g	1075	(2) 20	206,800	76,620	98,220	34,390	1771	241	(2) 7.5	2400	1440	(2) 12"	86,480	18' 7-3/8"	10' 5-1/8"	8' 2-1/4"	47-3/4"	18' 0"
eco-ATC-1555A-1g	1103	(2) 30	252,000	58,280	78,760	25,220	1193	163	(2) 7.5	2400	1440	(2) 12"	67,020	17' 2-3/8"	9' 1/8"	8' 2-1/4"	30-3/4"	18' 0"
eco-ATC-1571A-1g	1115	(2) 25	229,800	67,380	88,420	29,770	1482	202	(2) 7.5	2400	1440	(2) 12"	76,680	17' 10-7/8"	9' 8-5/8"	8' 2-1/4"	39-1/4"	18' 0"
eco-ATC-1643A-1g	1166	(2) 30	244,200	67,480	88,520	29,820	1482	202	(2) 7.5	2400	1440	(2) 12"	76,780	17' 10-7/8"	9' 8-5/8"	8' 2-1/4"	39-1/4"	18' 0"
eco-ATC-1670A-1g	1185	(2) 30	236,700	76,780	98,380	34,470	1771	241	(2) 7.5	2400	1440	(2) 12"	86,640	18' 7-3/8"	10' 5-1/8"	8' 2-1/4"	47-3/4"	18' 0"
eco-ATC-1739A-1g	1234	(2) 40	265,100	67,800	88,840	29,980	1482	202	(2) 7.5	2400	1440	(2) 12"	77,100	17' 10-7/8"	9' 8-5/8"	8' 2-1/4"	39-1/4"	18' 0"
eco-ATC-1769A-1g	1255	(2) 40	256,800	77,100	98,700	34,630	1771	241	(2) 7.5	2400	1440	(2) 12"	86,960	18' 7-3/8"	10' 5-1/8"	8' 2-1/4"	47-3/4"	18' 0"
eco-ATC-1848A-1g	1311	(2) 50	273,400	77,120	98,720	34,640	1771	241	(2) 7.5	2400	1440	(2) 12"	86,980	18' 7-3/8"	10' 5-1/8"	8' 2-1/4"	47-3/4"	18' 0"

* Tons at standard conditions: 96.3°F condensing, 20°F suction and 78°F W.B.
 ** Gallons shown is water in suspension in unit and piping. Allow for additional water in bottom of remote sump to cover pump suction and strainer during operation. (12" would normally be sufficient.)
 † Heaviest section is the coil section. **Weights shown are for 1g seismic design.**
 *** Refrigerant charge is shown for R-717. Multiply by 1.93 for R-22 and 1.98 for R-134a.
 Dimensions are subject to change. Do not use for pre-fabrication. Quantity of coil connections subject to change based on refrigerant and design conditions.

eco-Saver Option: (Low Energy)



Engineering Dimensions & Data

eco-ATC-1159A-1g to eco-ATC-1983A-1g

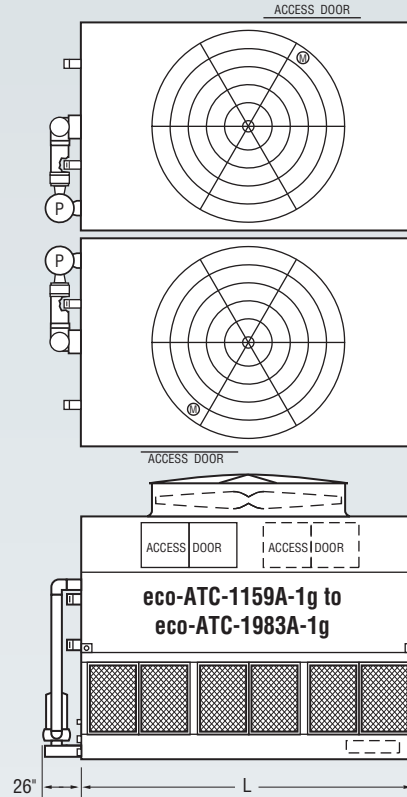
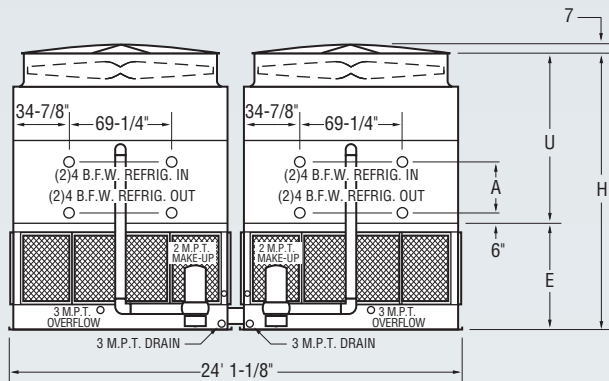


Table 25 Engineering Data

Model No.	R-717 Tons*	Fans		Weights†			Refrigerant Operating Charge lbs.***	Coil Volume ft ³	Spray Pump		Remote Pump			Dimensions				
		HP	CFM	Shipping	Operating	Heaviest Section†			HP	GPM	Gallons Req'd**	Conn. Size	Operating Weight	Height H	Upper U	Lower E	Coil A	Length L
eco-ATC-1159A-1g	822	(2) 30	282,600	43,460	65,200	17,220	681	93	(2) 10	2800	1600	(2) 14"	51,800	15' 9-3/8"	7' 7-1/8"	8' 2-1/4"	13-3/4"	20' 0"
eco-ATC-1233A-1g	875	(2) 40	311,000	43,780	65,520	17,380	681	93	(2) 10	2800	1600	(2) 14"	52,120	15' 9-3/8"	7' 7-1/8"	8' 2-1/4"	13-3/4"	20' 0"
eco-ATC-1364A-1g	968	(2) 25	260,900	53,740	76,100	22,360	1002	137	(2) 10	2800	1600	(2) 14"	62,700	16' 5-7/8"	8' 3-5/8"	8' 2-1/4"	22-1/4"	20' 0"
eco-ATC-1419A-1g	1007	(2) 30	277,200	53,840	76,200	22,410	1002	137	(2) 10	2800	1600	(2) 14"	62,800	16' 5-7/8"	8' 3-5/8"	8' 2-1/4"	22-1/4"	20' 0"
eco-ATC-1510A-1g	1071	(2) 40	302,300	54,160	76,520	22,570	1002	137	(2) 10	2800	1600	(2) 14"	63,120	16' 5-7/8"	8' 3-5/8"	8' 2-1/4"	22-1/4"	20' 0"
eco-ATC-1607A-1g	1140	(2) 30	269,000	64,320	87,300	27,650	1323	180	(2) 10	2800	1600	(2) 14"	73,900	17' 2-3/8"	9' 1/8"	8' 2-1/4"	30-3/4"	20' 0"
eco-ATC-1671A-1g	1186	(2) 30	260,800	74,560	98,140	32,770	1645	224	(2) 10	2800	1600	(2) 14"	84,740	17' 10-7/8"	9' 8-5/8"	8' 2-1/4"	39-1/4"	20' 0"
eco-ATC-1709A-1g	1213	(2) 40	293,600	64,640	87,620	27,810	1323	180	(2) 10	2800	1600	(2) 14"	74,220	17' 2-3/8"	9' 1/8"	8' 2-1/4"	30-3/4"	20' 0"
eco-ATC-1726A-1g	1225	(2) 30	252,600	85,860	110,060	38,420	1966	268	(2) 10	2800	1600	(2) 14"	96,660	18' 7-3/8"	10' 5-1/8"	8' 2-1/4"	47-3/4"	20' 0"
eco-ATC-1837A-1g	1303	(2) 40	275,800	86,180	110,380	38,580	1966	268	(2) 10	2800	1600	(2) 14"	96,980	18' 7-3/8"	10' 5-1/8"	8' 2-1/4"	47-3/4"	20' 0"
eco-ATC-1888A-1g	1340	(2) 50	303,300	74,900	98,480	32,940	1645	224	(2) 10	2800	1600	(2) 14"	85,080	17' 10-7/8"	9' 8-5/8"	8' 2-1/4"	39-1/4"	20' 0"
eco-ATC-1917A-1g	1360	(2) 50	293,600	86,200	110,400	38,590	1966	268	(2) 10	2800	1600	(2) 14"	97,000	18' 7-3/8"	10' 5-1/8"	8' 2-1/4"	47-3/4"	20' 0"
eco-ATC-1983A-1g	1407	(2) 60	309,100	86,600	110,800	38,790	1966	268	(2) 10	2800	1600	(2) 14"	97,400	18' 7-3/8"	10' 5-1/8"	8' 2-1/4"	47-3/4"	20' 0"

* Tons at standard conditions: 96.3°F condensing, 20°F suction and 78°F W.B.

** Gallons shown is water in suspension in unit and piping. Allow for additional water in bottom of remote sump to cover pump suction and strainer during operation. (12" would normally be sufficient.)

† Heaviest section is the coil section. **Weights shown are for 1g seismic design.**

*** Refrigerant charge is shown for R-717. Multiply by 1.93 for R-22 and 1.98 for R-134a.

Dimensions are subject to change. Do not use for pre-fabrication. Quantity of coil connections subject to change based on refrigerant and design conditions.

Engineering Dimensions & Data

eco-ATC-1293A-1g to eco-ATC-2515A-1g

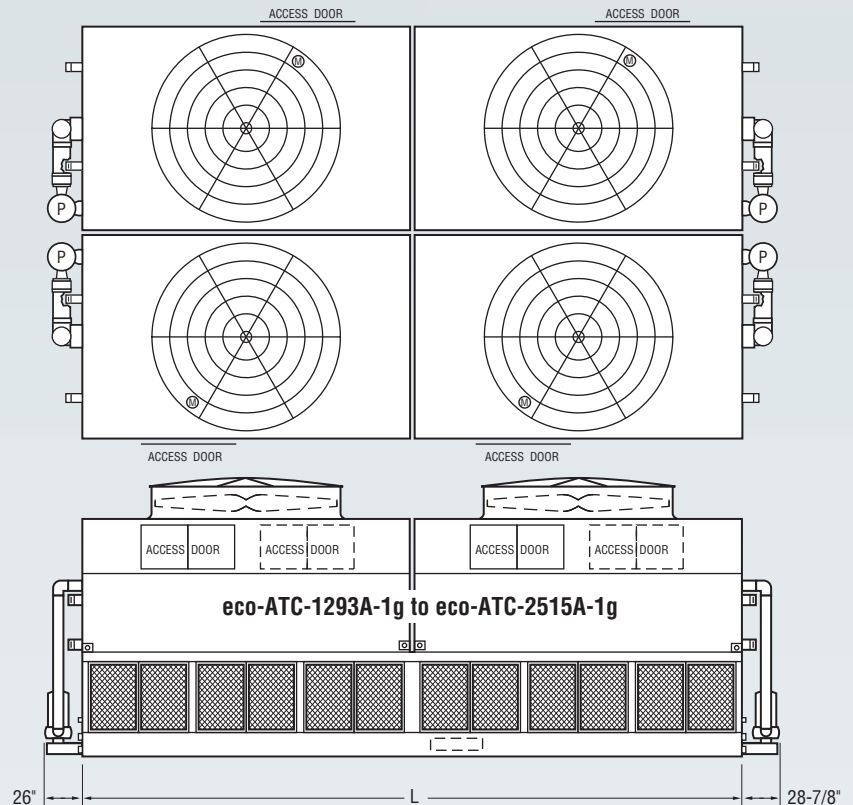
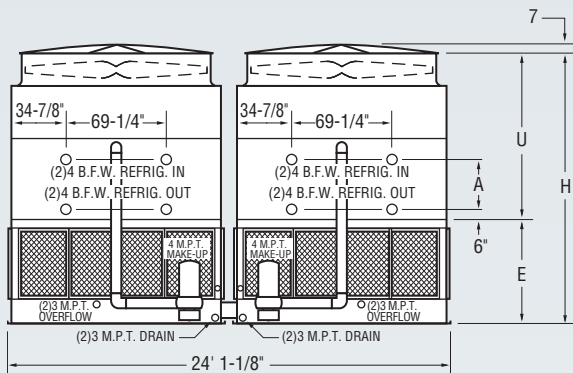


Table 26 Engineering Data

Model No.	R-717 Tons*	Fans		Weights†			Refrigerant Operating Charge lbs.***	Coil Volume ft ³	Spray Pump		Remote Pump			Dimensions				
		HP	CFM	Shipping	Operating	Heaviest Section†			HP	GPM	Gallons Req'd**	Conn. Size	Operating Weight	Height H	Upper U	Lower E	Coil A	Length L
eco-ATC-1293A-1g	918	(4) 10	270,700	55,380	81,120	11,050	841	115	(4) 5	3200	1960	(4) 12"	65,060	15' 9-3/8"	7' 7-1/8"	8' 2-1/4"	13-3/4"	24' 2"
eco-ATC-1413A-1g	1003	(4) 15	309,800	55,900	81,640	11,180	841	115	(4) 5	3200	1960	(4) 12"	65,580	15' 9-3/8"	7' 7-1/8"	8' 2-1/4"	13-3/4"	24' 2"
eco-ATC-1565A-1g	1110	(4) 25	367,300	56,260	82,000	11,270	841	115	(4) 5	3200	1960	(4) 12"	65,940	15' 9-3/8"	7' 7-1/8"	8' 2-1/4"	13-3/4"	24' 2"
eco-ATC-1730A-1g	1227	(4) 15	304,000	68,140	94,600	14,240	1223	167	(4) 5	3200	1960	(4) 12"	78,540	16' 5-7/8"	8' 3-5/8"	8' 2-1/4"	22-1/4"	24' 2"
eco-ATC-1782A-1g	1264	(4) 10	257,900	80,380	107,600	17,300	1605	219	(4) 5	3200	1960	(4) 12"	91,540	17' 2-3/8"	9' 1/8"	8' 2-1/4"	30-3/4"	24' 2"
eco-ATC-1843A-1g	1308	(4) 20	334,800	68,380	94,840	14,300	1223	167	(4) 5	3200	1960	(4) 12"	78,780	16' 5-7/8"	8' 3-5/8"	8' 2-1/4"	22-1/4"	24' 2"
eco-ATC-1892A-1g	1342	(4) 10	250,300	92,500	120,440	20,330	1988	271	(4) 5	3200	1960	(4) 12"	104,380	17' 10-7/8"	9' 8-5/8"	8' 2-1/4"	39-1/4"	24' 2"
eco-ATC-1916A-1g	1359	(4) 25	356,900	68,500	94,960	14,330	1223	167	(4) 5	3200	1960	(4) 12"	78,900	16' 5-7/8"	8' 3-5/8"	8' 2-1/4"	22-1/4"	24' 2"
eco-ATC-1933A-1g	1371	(4) 10	242,700	105,340	134,000	23,540	2370	323	(4) 5	3200	1960	(4) 12"	117,940	18' 7-3/8"	10' 5-1/8"	8' 2-1/4"	47-3/4"	24' 2"
eco-ATC-1948A-1g	1382	(4) 15	295,300	80,900	108,120	17,430	1605	219	(4) 5	3200	1960	(4) 12"	92,060	17' 2-3/8"	9' 1/8"	8' 2-1/4"	30-3/4"	24' 2"
eco-ATC-2068A-1g	1467	(4) 15	286,600	93,020	120,960	20,460	1988	271	(4) 5	3200	1960	(4) 12"	104,900	17' 10-7/8"	9' 8-5/8"	8' 2-1/4"	39-1/4"	24' 2"
eco-ATC-2112A-1g	1498	(4) 15	277,800	105,860	134,520	23,670	2370	323	(4) 5	3200	1960	(4) 12"	118,460	18' 7-3/8"	10' 5-1/8"	8' 2-1/4"	47-3/4"	24' 2"
eco-ATC-2157A-1g	1530	(4) 25	346,400	81,260	108,480	17,520	1605	219	(4) 5	3200	1960	(4) 12"	92,420	17' 2-3/8"	9' 1/8"	8' 2-1/4"	30-3/4"	24' 2"
eco-ATC-2222A-1g	1576	(4) 30	364,400	81,460	108,680	17,570	1605	219	(4) 5	3200	1960	(4) 12"	92,620	17' 2-3/8"	9' 1/8"	8' 2-1/4"	30-3/4"	24' 2"
eco-ATC-2291A-1g	1625	(4) 25	336,000	93,380	121,320	20,550	1988	271	(4) 5	3200	1960	(4) 12"	105,260	17' 10-7/8"	9' 8-5/8"	8' 2-1/4"	39-1/4"	24' 2"
eco-ATC-2359A-1g	1674	(4) 30	354,000	93,580	121,520	20,600	1988	271	(4) 5	3200	1960	(4) 12"	105,460	17' 10-7/8"	9' 8-5/8"	8' 2-1/4"	39-1/4"	24' 2"
eco-ATC-2410A-1g	1710	(4) 30	342,900	106,420	135,080	23,810	2370	323	(4) 5	3200	1960	(4) 12"	119,020	18' 7-3/8"	10' 5-1/8"	8' 2-1/4"	47-3/4"	24' 2"
eco-ATC-2515A-1g	1784	(4) 40	371,400	107,060	135,720	23,970	2370	323	(4) 5	3200	1960	(4) 12"	119,660	18' 7-3/8"	10' 5-1/8"	8' 2-1/4"	47-3/4"	24' 2"

* Tons at standard conditions: 96.3°F condensing, 20°F suction and 78°F W.B.

** Gallons shown is water in suspension in unit and piping. Allow for additional water in bottom of remote sump to cover pump suction and strainer during operation. (12" would normally be sufficient.)

† Heaviest section is the coil section. **Weights shown are for 1g seismic design.**

*** Refrigerant charge is shown for R-717. Multiply by 1.93 for R-22 and 1.98 for R-134a.

Dimensions are subject to change. Do not use for pre-fabrication. Quantity of coil connections subject to change based on refrigerant and design conditions.

eco-Saver Option: (Low Energy)



Engineering Dimensions & Data

eco-ATC-1493A-1g to eco-ATC-2659A-1g

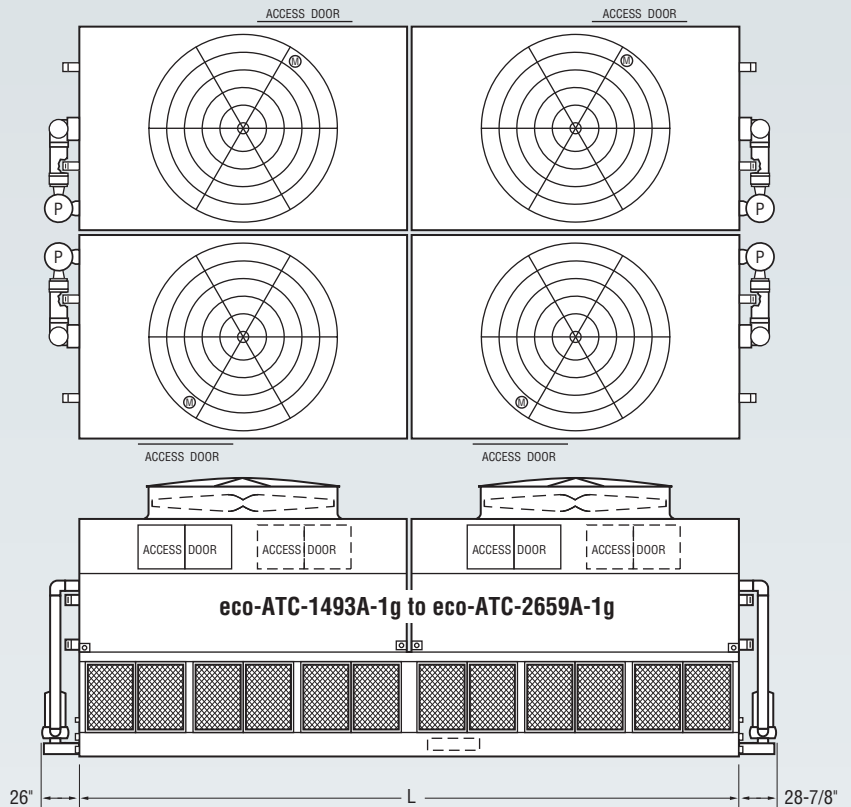
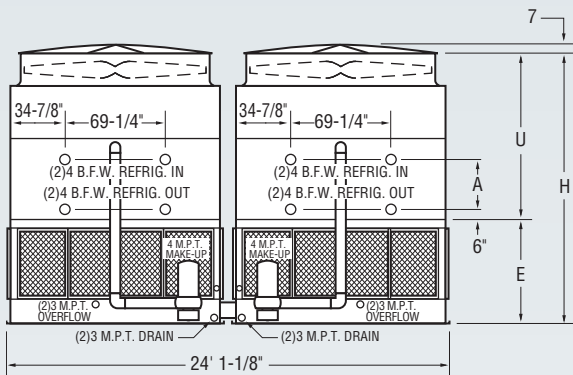


Table 27 Engineering Data

Model No.	R-717 Tons*	Fans		Weights†			Refrigerant Operating Charge lbs.***	Coil Volume ft ³	Spray Pump		Remote Pump			Dimensions				
		HP	CFM	Shipping	Operating	Heaviest Section†			HP	GPM	Gallons Req'd**	Conn. Size	Operating Weight	Height H	Upper U	Lower E	Coil A	Length L
eco-ATC-1493A-1g	1059	(4) 15	337,800	62,600	93,020	12,540	971	132	(4) 5	3600	2280	(4) 12"	74,460	15' 9-3/8"	7' 7-1/8"	8' 2-1/4"	13-3/4"	28' 2"
eco-ATC-1583A-1g	1123	(4) 20	371,800	62,840	93,260	12,600	971	132	(4) 5	3600	2280	(4) 12"	74,700	15' 9-3/8"	7' 7-1/8"	8' 2-1/4"	13-3/4"	28' 2"
eco-ATC-1657A-1g	1176	(4) 25	400,500	62,960	93,380	12,630	971	132	(4) 5	3600	2280	(4) 12"	74,820	15' 9-3/8"	7' 7-1/8"	8' 2-1/4"	13-3/4"	28' 2"
eco-ATC-1707A-1g	1211	(4) 30	425,600	63,160	93,580	12,680	971	132	(4) 5	3600	2280	(4) 12"	75,020	15' 9-3/8"	7' 7-1/8"	8' 2-1/4"	13-3/4"	28' 2"
eco-ATC-1828A-1g	1297	(4) 15	332,100	77,240	108,540	16,200	1418	193	(4) 5	3600	2280	(4) 12"	89,980	16' 5-7/8"	8' 3-5/8"	8' 2-1/4"	22-1/4"	28' 2"
eco-ATC-1939A-1g	1376	(4) 20	365,500	77,480	108,780	16,260	1418	193	(4) 5	3600	2280	(4) 12"	90,220	16' 5-7/8"	8' 3-5/8"	8' 2-1/4"	22-1/4"	28' 2"
eco-ATC-2029A-1g	1440	(4) 25	392,900	77,600	108,900	16,290	1418	193	(4) 5	3600	2280	(4) 12"	90,340	16' 5-7/8"	8' 3-5/8"	8' 2-1/4"	22-1/4"	28' 2"
eco-ATC-2090A-1g	1483	(4) 30	413,600	77,800	109,100	16,340	1418	193	(4) 5	3600	2280	(4) 12"	90,540	16' 5-7/8"	8' 3-5/8"	8' 2-1/4"	22-1/4"	28' 2"
eco-ATC-2191A-1g	1554	(4) 20	354,800	92,360	124,500	19,980	1866	254	(4) 5	3600	2280	(4) 12"	105,940	17' 2-3/8"	9' 1/8"	8' 2-1/4"	30-3/4"	28' 2"
eco-ATC-2292A-1g	1626	(4) 25	381,500	92,480	124,620	20,010	1866	254	(4) 5	3600	2280	(4) 12"	106,060	17' 2-3/8"	9' 1/8"	8' 2-1/4"	30-3/4"	28' 2"
eco-ATC-2361A-1g	1675	(4) 30	401,600	92,680	124,820	20,060	1866	254	(4) 5	3600	2280	(4) 12"	106,260	17' 2-3/8"	9' 1/8"	8' 2-1/4"	30-3/4"	28' 2"
eco-ATC-2427A-1g	1722	(4) 25	370,200	106,440	139,460	23,500	2313	315	(4) 5	3600	2280	(4) 12"	120,900	17' 10-7/8"	9' 8-5/8"	8' 2-1/4"	39-1/4"	28' 2"
eco-ATC-2473A-1g	1754	(4) 25	358,800	122,600	156,460	27,540	2761	376	(4) 5	3600	2280	(4) 12"	137,900	18' 7-3/8"	10' 5-1/8"	8' 2-1/4"	47-3/4"	28' 2"
eco-ATC-2500A-1g	1774	(4) 30	389,500	106,640	139,660	23,550	2313	315	(4) 5	3600	2280	(4) 12"	121,100	17' 10-7/8"	9' 8-5/8"	8' 2-1/4"	39-1/4"	28' 2"
eco-ATC-2548A-1g	1808	(4) 30	377,500	122,800	156,660	27,590	2761	376	(4) 5	3600	2280	(4) 12"	138,100	18' 7-3/8"	10' 5-1/8"	8' 2-1/4"	47-3/4"	28' 2"
eco-ATC-2609A-1g	1851	(4) 40	422,300	107,280	140,300	23,710	2313	315	(4) 5	3600	2280	(4) 12"	121,740	17' 10-7/8"	9' 8-5/8"	8' 2-1/4"	39-1/4"	28' 2"
eco-ATC-2659A-1g	1886	(4) 40	408,900	123,440	157,300	27,750	2761	376	(4) 5	3600	2280	(4) 12"	138,740	18' 7-3/8"	10' 5-1/8"	8' 2-1/4"	47-3/4"	28' 2"

* Tons at standard conditions: 96.3°F condensing, 20°F suction and 78°F W.B.

** Gallons shown is water in suspension in unit and piping. Allow for additional water in bottom of remote sump to cover pump suction and strainer during operation. (12" would normally be sufficient.)

† Heaviest section is the coil section. **Weights shown are for 1g seismic design.**

*** Refrigerant charge is shown for R-717. Multiply by 1.93 for R-22 and 1.98 for R-134a.

Dimensions are subject to change. Do not use for pre-fabrication. Quantity of coil connections subject to change based on refrigerant and design conditions.

eco-Saver Option: (Low Energy)

Engineering Dimensions & Data

eco-ATC-2182A-1g to eco-ATC-3583A-1g

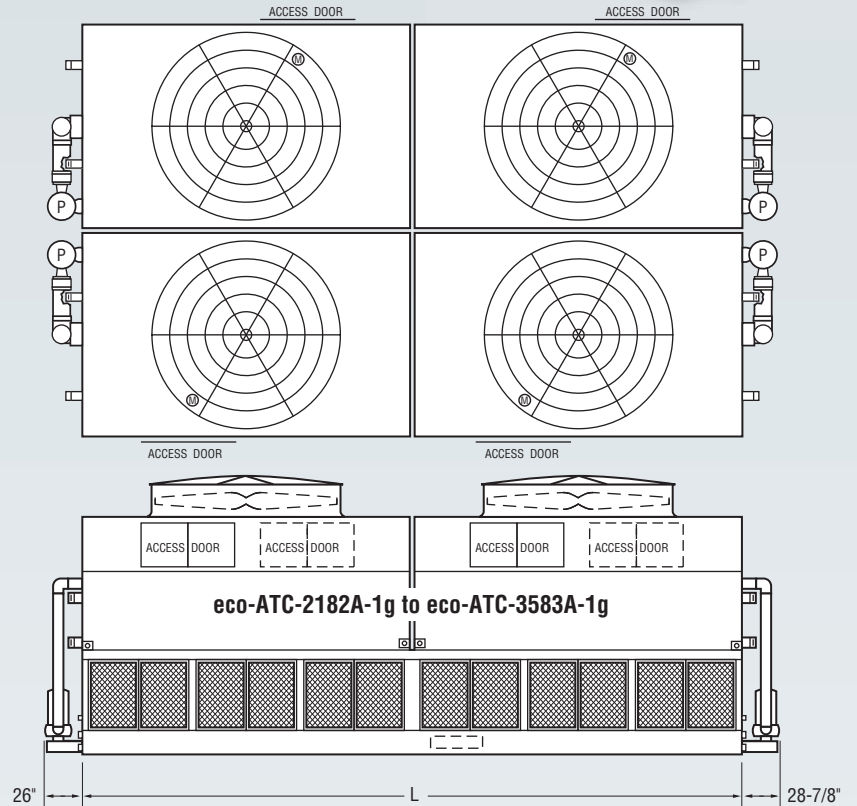
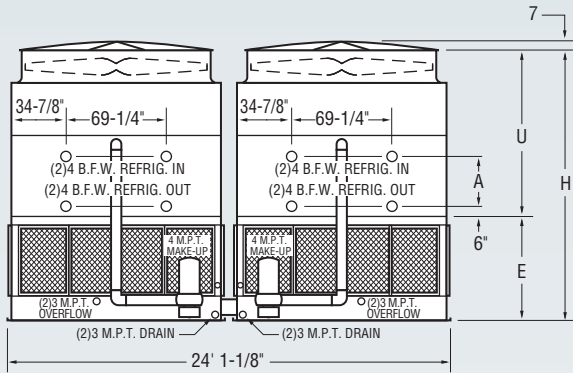


Table 28 Engineering Data

Model No.	R-717 Tons*	Fans		Weights†			Refrigerant Operating Charge lbs.***	Coil Volume ft³	Spray Pump		Remote Pump			Dimensions				
		HP	CFM	Shipping	Operating	Heaviest Section†			HP	GPM	Gallons Req'd**	Conn. Size	Operating Weight	Height H	Upper U	Lower E	Coil A	Length L
eco-ATC-2182A-1g	1548	(4) 30	525,800	79,320	118,280	15,880	1231	168	(4) 7.5	4800	2880	(4) 12"	94,500	15' 93/8"	7' 7-1/8"	8' 2-1/4"	13-3/4"	36' 2-1/2"
eco-ATC-2423A-1g	1719	(4) 20	446,500	97,320	137,360	20,380	1809	246	(4) 7.5	4800	2880	(4) 12"	113,580	16' 5-7/8"	8' 3-5/8"	8' 2-1/4"	22-1/4"	36' 2-1/2"
eco-ATC-2510A-1g	1781	(4) 15	394,100	116,120	157,280	25,080	2386	325	(4) 7.5	4800	2880	(4) 12"	133,500	17' 2-3/8"	9' 1/8"	8' 2-1/4"	30-3/4"	36' 2-1/2"
eco-ATC-2557A-1g	1814	(4) 25	481,000	97,440	137,480	20,410	1809	246	(4) 7.5	4800	2880	(4) 12"	113,700	16' 5-7/8"	8' 3-5/8"	8' 2-1/4"	22-1/4"	36' 2-1/2"
eco-ATC-2671A-1g	1895	(4) 30	511,100	97,640	137,680	20,460	1809	246	(4) 7.5	4800	2880	(4) 12"	113,900	16' 5-7/8"	8' 3-5/8"	8' 2-1/4"	22-1/4"	36' 2-1/2"
eco-ATC-2696A-1g	1913	(4) 15	381,800	134,520	176,800	29,680	2964	404	(4) 7.5	4800	2880	(4) 12"	153,020	17' 10-7/8"	9' 8-5/8"	8' 2-1/4"	39-1/4"	36' 2-1/2"
eco-ATC-2717A-1g	1927	(4) 20	433,700	116,360	157,520	25,140	2386	325	(4) 7.5	4800	2880	(4) 12"	133,740	17' 2-3/8"	9' 1/8"	8' 2-1/4"	30-3/4"	36' 2-1/2"
eco-ATC-2747A-1g	1949	(4) 15	370,200	153,120	196,520	34,330	3542	483	(4) 7.5	4800	2880	(4) 12"	172,740	18' 7-3/8"	10' 5-1/8"	8' 2-1/4"	47-3/4"	36' 2-1/2"
eco-ATC-2888A-1g	2049	(4) 25	466,400	116,480	157,640	25,170	2386	325	(4) 7.5	4800	2880	(4) 12"	133,860	17' 2-3/8"	9' 1/8"	8' 2-1/4"	30-3/4"	36' 2-1/2"
eco-ATC-2939A-1g	2085	(4) 20	407,400	153,360	196,760	34,390	3542	483	(4) 7.5	4800	2880	(4) 12"	172,980	18' 7-3/8"	10' 5-1/8"	8' 2-1/4"	47-3/4"	36' 2-1/2"
eco-ATC-3018A-1g	2141	(4) 30	496,500	116,680	157,840	25,220	2386	325	(4) 7.5	4800	2880	(4) 12"	134,060	17' 2-3/8"	9' 1/8"	8' 2-1/4"	30-3/4"	36' 2-1/2"
eco-ATC-3185A-1g	2259	(4) 30	481,000	135,080	177,360	29,820	2964	404	(4) 7.5	4800	2880	(4) 12"	153,580	17' 10-7/8"	9' 8-5/8"	8' 2-1/4"	39-1/4"	36' 2-1/2"
eco-ATC-3239A-1g	2298	(4) 30	466,400	153,680	197,080	34,470	3542	483	(4) 7.5	4800	2880	(4) 12"	173,300	18' 7-3/8"	10' 5-1/8"	8' 2-1/4"	47-3/4"	36' 2-1/2"
eco-ATC-3374A-1g	2393	(4) 40	522,300	135,720	178,000	29,980	2964	404	(4) 7.5	4800	2880	(4) 12"	154,220	17' 10-7/8"	9' 8-5/8"	8' 2-1/4"	39-1/4"	36' 2-1/2"
eco-ATC-3431A-1g	2434	(4) 40	506,000	154,320	197,720	34,630	3542	483	(4) 7.5	4800	2880	(4) 12"	173,940	18' 7-3/8"	10' 5-1/8"	8' 2-1/4"	47-3/4"	36' 2-1/2"
eco-ATC-3583A-1g	2542	(4) 50	538,700	154,360	197,760	34,640	3542	483	(4) 7.5	4800	2880	(4) 12"	173,980	18' 7-3/8"	10' 5-1/8"	8' 2-1/4"	47-3/4"	36' 2-1/2"

* Tons at standard conditions: 96.3°F condensing, 20°F suction and 78°F W.B.
 ** Gallons shown is water in suspension in unit and piping. Allow for additional water in bottom of remote sump to cover pump suction and strainer during operation. (12" would normally be sufficient.)
 † Heaviest section is the coil section. **Weights shown are for 1g seismic design.**
 *** Refrigerant charge is shown for R-717. Multiply by 1.93 for R-22 and 1.98 for R-134a.
 Dimensions are subject to change. Do not use for pre-fabrication. Quantity of coil connections subject to change based on refrigerant and design conditions.

eco-Saver Option: (Low Energy)



Engineering Dimensions & Data

eco-ATC-2247A-1g to eco-ATC-3846A-1g

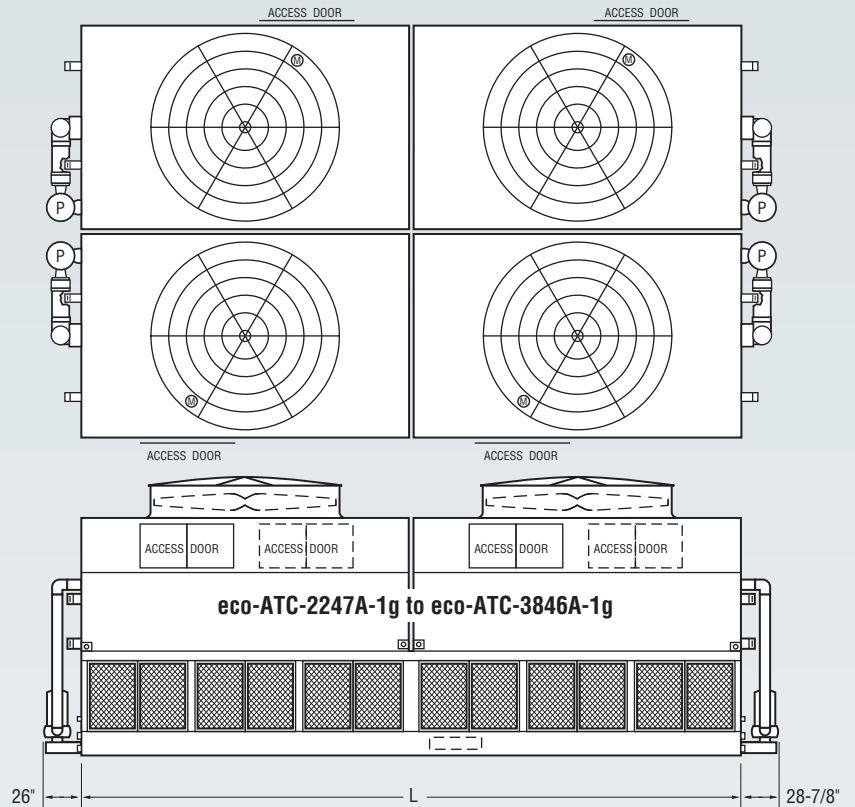
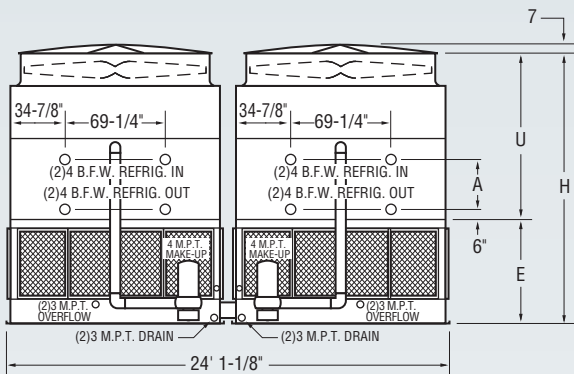


Table 29 Engineering Data

Model No.	R-717 Tons*	Fans		Weights†			Refrigerant Operating Charge lbs.***	Coil Volume ft ³	Spray Pump		Remote Pump			Dimensions				
		HP	CFM	Shipping	Operating	Heaviest Section†			HP	GPM	Gallons Req'd**	Conn. Size	Operating Weight	Height H	Upper U	Lower E	Coil A	Length L
eco-ATC-2247A-1g	1594	(4) 30	556,600	87,020	130,680	17,220	1361	185	(4) 10	5600	3200	(4) 14"	103,580	15' 9-3/8"	7' 7-1/8"	8' 2-1/4"	13-3/4"	40' 2-1/2"
eco-ATC-2391A-1g	1696	(4) 40	612,700	87,660	131,320	17,380	1361	185	(4) 10	5600	3200	(4) 14"	104,220	15' 9-3/8"	7' 7-1/8"	8' 2-1/4"	13-3/4"	40' 2-1/2"
eco-ATC-2752A-1g	1952	(4) 30	546,100	107,780	152,680	22,410	2004	273	(4) 10	5600	3200	(4) 14"	125,580	16' 5-7/8"	8' 3-5/8"	8' 2-1/4"	22-1/4"	40' 2-1/2"
eco-ATC-2928A-1g	2077	(4) 40	595,500	108,420	153,320	22,570	2004	273	(4) 10	5600	3200	(4) 14"	126,220	16' 5-7/8"	8' 3-5/8"	8' 2-1/4"	22-1/4"	40' 2-1/2"
eco-ATC-3116A-1g	2210	(4) 30	529,900	128,740	174,880	27,650	2647	361	(4) 10	5600	3200	(4) 14"	147,780	17' 2-3/8"	9' 1/8"	8' 2-1/4"	30-3/4"	40' 2-1/2"
eco-ATC-3169A-1g	2248	(4) 25	483,400	149,020	196,360	32,720	3290	448	(4) 10	5600	3200	(4) 14"	169,260	17' 10-7/8"	9' 8-5/8"	8' 2-1/4"	39-1/4"	40' 2-1/2"
eco-ATC-3296A-1g	2338	(4) 30	513,700	149,220	196,560	32,770	3290	448	(4) 10	5600	3200	(4) 14"	169,460	17' 10-7/8"	9' 8-5/8"	8' 2-1/4"	39-1/4"	40' 2-1/2"
eco-ATC-3315A-1g	2352	(4) 40	578,400	129,380	175,520	27,810	2647	361	(4) 10	5600	3200	(4) 14"	148,420	17' 2-3/8"	9' 1/8"	8' 2-1/4"	30-3/4"	40' 2-1/2"
eco-ATC-3348A-1g	2375	(4) 30	497,500	171,820	220,400	38,420	3932	536	(4) 10	5600	3200	(4) 14"	193,300	18' 7-3/8"	10' 5-1/8"	8' 2-1/4"	47-3/4"	40' 2-1/2"
eco-ATC-3507A-1g	2488	(4) 40	561,300	149,860	197,200	32,930	3290	448	(4) 10	5600	3200	(4) 14"	170,100	17' 10-7/8"	9' 8-5/8"	8' 2-1/4"	39-1/4"	40' 2-1/2"
eco-ATC-3562A-1g	2527	(4) 40	543,200	172,460	221,040	38,580	3932	536	(4) 10	5600	3200	(4) 14"	193,940	18' 7-3/8"	10' 5-1/8"	8' 2-1/4"	47-3/4"	40' 2-1/2"
eco-ATC-3661A-1g	2597	(4) 50	597,400	149,900	197,240	32,940	3290	448	(4) 10	5600	3200	(4) 14"	170,140	17' 10-7/8"	9' 8-5/8"	8' 2-1/4"	39-1/4"	40' 2-1/2"
eco-ATC-3719A-1g	2638	(4) 50	578,400	172,500	221,080	38,590	3932	536	(4) 10	5600	3200	(4) 14"	193,980	18' 7-3/8"	10' 5-1/8"	8' 2-1/4"	47-3/4"	40' 2-1/2"
eco-ATC-3846A-1g	2728	(4) 60	608,900	173,300	221,880	38,790	3932	536	(4) 10	5600	3200	(4) 14"	194,780	18' 7-3/8"	10' 5-1/8"	8' 2-1/4"	47-3/4"	40' 2-1/2"

* Tons at standard conditions: 96.3°F condensing, 20°F suction and 78°F W.B.

** Gallons shown is water in suspension in unit and piping. Allow for additional water in bottom of remote sump to cover pump suction and strainer during operation. (12" would normally be sufficient.)

† Heaviest section is the coil section. **Weights shown are for 1g seismic design.**

*** Refrigerant charge is shown for R-717. Multiply by 1.93 for R-22 and 1.98 for R-134a.

Dimensions are subject to change. Do not use for pre-fabrication. Quantity of coil connections subject to change based on refrigerant and design conditions.

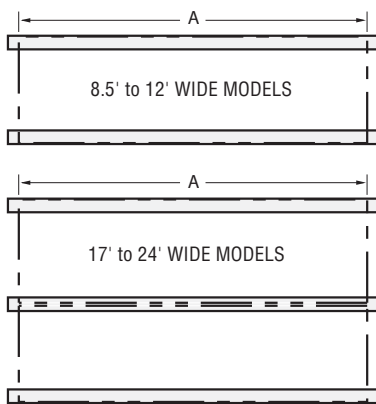
eco-ATC-A Steel Support

EVAPCO eco-ATC-A condensers are designed to be supported with structural "I" beams located under the outer flanges and running the entire length of the unit. Mounting holes, 3/4" in diameter are located in the bottom channels of the pan section to provide for bolting to the structural steel. (Refer to certified drawings from the factory for bolt hole locations.)

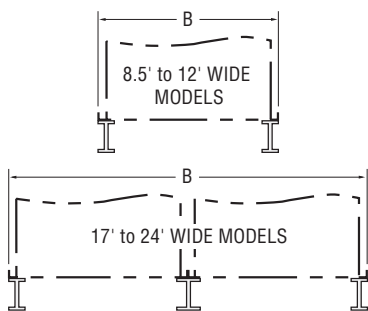
Beams should be level to within 1/8" in 6' before setting the unit in place. Do not level the unit by shimming between it and the "I" beams as this will not provide proper longitudinal support.

NOTE: Consult IBC 2012 for required steel support layout and structural design.

Plan Views



End Elevations



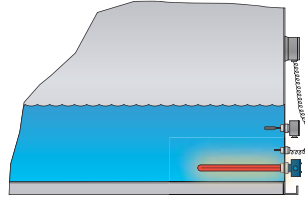
eco-ATC-A Steel Support		
8-1/2' Wide Models	A	B
eco-ATC-122A-1g to 263A-1g	8' 5-1/2"	7' 5-7/8"
eco-ATC-160A-1g to 326A-1g	8' 11-1/2"	8' 5-1/2"
eco-ATC-205A-1g to 394A-1g	10' 5-1/2"	8' 5-1/2"
eco-ATC-225A-1g to 434A-1g	11' 11-3/4"	8' 5-1/2"
eco-ATC-269A-1g to 504A-1g	13' 11-3/4"	8' 5-1/2"
eco-ATC-395A-1g to 671A-1g	18'	8' 5-1/2"
eco-ATC-451A-1g to 804A-1g	21'	8' 5-1/2"
eco-ATC-444A-1g to 862A-1g	24' 2"	8' 5-1/2"
eco-ATC-590A-1g to 1013A-1g	28' 2"	8' 5-1/2"
17' Wide Models	A	B
eco-ATC-441A-1g to 857A-1g	11' 11-3/4"	17' 4-1/8"
eco-ATC-528A-1g to 988A-1g	13' 11-3/4"	17' 4-1/8"
10' Wide Models	A	B
eco-ATC-300A-1g to 501A-1g	11' 11-3/4"	9' 9-3/4"
eco-ATC-391A-1g to 694A-1g	18'	9' 9-3/4"
eco-ATC-642A-1g to 1002A-1g	24' 2"	9' 9-3/4"
eco-ATC-879A-1g to 1388A-1g	36' 2-1/2"	9' 9-3/4"
12' Wide Models	A	B
eco-ATC-325A-1g to 632A-1g	11' 11-3/4"	11' 10"
eco-ATC-408A-1g to 685A-1g	13' 11-3/4"	11' 10"
eco-ATC-432A-1g to 923A-1g	18'	11' 10"
eco-ATC-585A-1g to 1001A-1g	20'	11' 10"
eco-ATC-650A-1g to 1263A-1g	24' 2"	11' 10"
eco-ATC-770A-1g to 1369A-1g	28' 2"	11' 10"
eco-ATC-1020A-1g to 1847A-1g	36' 2-1/2"	11' 10"
eco-ATC-1120A-1g to 1993A-1g	40' 2-1/2"	11' 10"
24' Wide Models	A	B
eco-ATC-710A-1g to 1264A-1g	11' 11-3/4"	24' 1-1/8"
eco-ATC-816A-1g to 1370A-1g	13' 11-3/4"	24' 1-1/8"
eco-ATC-1021A-1g to 1848A-1g	18'	24' 1-1/8"
eco-ATC-1159A-1g to 1983A-1g	20'	24' 1-1/8"
eco-ATC-1293A-1g to 2515A-1g	24' 2"	24' 1-1/8"
eco-ATC-1493A-1g to 2659A-1g	28' 2"	24' 1-1/8"
eco-ATC-2182A-1g to 3583A-1g	36' 2-1/2"	24' 1-1/8"
eco-ATC-2247A-1g to 3846A-1g	40' 2-1/2"	24' 1-1/8"



eco-ATC-A Optional Equipment

Electric Heaters

Electric immersion heaters are available factory installed in the basin of the condenser. They are sized to maintain a +40° F pan water temperature with the fans off and an ambient air temperature of 0°F, -20°F or -40°F. They are furnished with a thermostat to cycle the heater on when required and a low water protection device to prevent the heater elements from energizing unless they are completely submerged. All components are in weather proof enclosures for outdoor use. The heater power contactors and electric wiring are not included as standard.



eco-ATC-A Heater Sizes (kW)			
Models	0°F	-20°F	-40°F
eco-ATC-122A-1g to 263A-1g	6	8	12
eco-ATC-160A-1g to 326A-1g	7	10	15
eco-ATC-205A-1g to 394A-1g	8	12	15
eco-ATC-225A-1g to 434A-1g	(2) 4	(2) 7	(2) 9
eco-ATC-269A-1g to 504A-1g	(2) 5	(2) 7	(2) 10
eco-ATC-395A-1g to 671A-1g	(2) 6	(2) 9	(2) 12
eco-ATC-451A-1g to 804A-1g	(2) 7	(2) 12	(2) 15
eco-ATC-444A-1g to 862A-1g	(4) 4	(4) 7	(4) 9
eco-ATC-590A-1g to 1013A-1g	(4) 5	(4) 7	(4) 10
eco-ATC-441A-1g to 857A-1g	(4) 4	(4) 7	(4) 9
eco-ATC-528A-1g to 988A-1g	(4) 5	(4) 7	(4) 10
eco-ATC-300A-1g to 501A-1g	(2) 5	(2) 8	(2) 10
eco-ATC-391A-1g to 694A-1g	(2) 7	(2) 12	(2) 15
eco-ATC-642A-1g to 1002A-1g	(4) 5	(4) 8	(4) 10
eco-ATC-879A-1g to 1388A-1g	(4) 7	(4) 12	(4) 15
eco-ATC-325A-1g to 632A-1g	(2) 6	(2) 9	(2) 12
eco-ATC-408A-1g to 685A-1g	(2) 7	(2) 10	(2) 15
eco-ATC-432A-1g to 923A-1g	(2) 9	(2) 15	(2) 18
eco-ATC-585A-1g to 1001A-1g	(2) 10	(2) 15	(3) 15
eco-ATC-650A-1g to 1263A-1g	(4) 6	(4) 9	(4) 12
eco-ATC-770A-1g to 1369A-1g	(4) 7	(4) 10	(4) 15
eco-ATC-1020A-1g to 1847A-1g	(4) 9	(4) 15	(4) 18
eco-ATC-1120A-1g to 1993A-1g	(4) 10	(4) 15	(6) 15
eco-ATC-710A-1g to 1264A-1g	(4) 6	(4) 9	(4) 12
eco-ATC-816A-1g to 1370A-1g	(4) 7	(4) 10	(4) 15
eco-ATC-1021A-1g to 1848A-1g	(4) 9	(4) 15	(4) 18
eco-ATC-1159A-1g to 1983A-1g	(4) 10	(4) 15	(4) 20
eco-ATC-1293A-1g to 2515A-1g	(4) 12	(4) 18	(6) 15
eco-ATC-1493A-1g to 2659A-1g	(4) 15	(4) 20	(6) 18
eco-ATC-2182A-1g to 3583A-1g	(4) 18	(6) 18	(8) 18
eco-ATC-2247A-1g to 3846A-1g	(4) 20	(6) 20	(8) 20

Water Treatment Solutions

Pulse~Pure® Non-Chemical Treatment



U.S. Patent No. 7,704,364

Pulse~Pure® is an environmentally sensitive non-chemical water treatment system for evaporative condensers. Developed by EVAPCO, Pulse~Pure offers an alternative to chemical water treatment programs. Utilizing pulse-power technology Pulse~Pure provides chemical-free treatment that is environmentally safe.

Smart Shield® Solid Chemistry Water Treatment System

EVAPCO's SmartShield® solid chemistry water treatment system is an innovative solution to conventional liquid chemical programs. SmartShield® was developed specifically for evaporative condensers and closed circuit coolers. The system comes factory mounted and includes all the components required for an effective water treatment system. Solid products eliminate the potential for liquid spills making it easier and safer to use. Controlled release chemistry provides uniform treatment over a 30 day period.



Self Supporting Service Platforms

Condensers are available with self-supporting service platforms that include access ladders which are designed for easy field installation. This option offers significant savings in comparison to field constructed, externally supported catwalks. The Evapco service platform option is located at each maintenance access door.



eco-ATC-A Condenser with Optional Service Platform and Motor Davit

Motor Davit

In the event that a fan motor should need to be replaced, a lightweight motor davit is available from which a chain fall can be mounted to easily lower the motor to the ground.

eco-ATC-A Optional Equipment

Electric Water Level Control

Evaporative condensers may be ordered with an electric water level control in lieu of the standard mechanical float and make-up assembly. This package provides accurate control of water levels and does not require field adjustment.



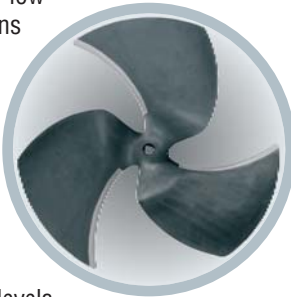
Two Speed Motors

Two speed fan motors can provide an excellent means of capacity control. In periods of lightened loads or reduced wet bulb temperatures, the fans can operate at low speed, which will provide about 60% of full speed capacity, yet consume only about 15% of the power compared with high speed. In addition to the energy savings, the sound levels of the units will be greatly reduced at low speed.

Sound Reduction Options

Super-Low Sound Fan

EVAPCO's Super Low Sound Fan utilizes an extremely wide chord blade design and is ideal for low energy, sound sensitive installations without sacrificing thermal performance. This revolutionary technology is one-piece molded, heavy duty fiberglass reinforced polyester hub and blade construction utilizing a forward swept blade design. The Super Low Sound Fan is capable of reducing the unit sound pressure levels 9 dB(A) to 15 dB(A) depending on specific unit selection and measurement location.



Water Silencer

The water silencer option, constructed of lightweight PVC sections, is located in the falling water area of the cold water basin. This option will reduce the overall sound levels 4 dB(A) to 7 dB(A), measured 5 ft. from the side or end of the unit, with no impact on unit thermal performance. This option will also reduce the overall sound levels 9 dB(A) to 12 dB(A) when operating the condenser with the fans off and water circulating.

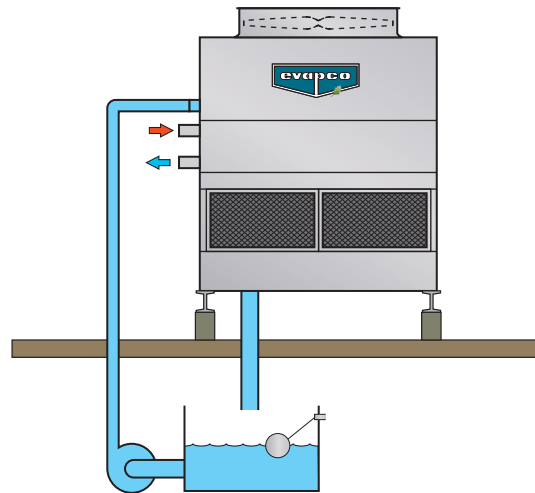


Stainless Steel Basin

eco-ATC-A condensers are available with an inexpensive all stainless steel basin section. This provides superior corrosion resistance over other materials of construction.

Remote Sump Configuration

For units operating in areas where temperatures may be very low, or where low temperatures may occur during periods when the unit is not operating, a sump located inside the building is the preferred means of ensuring that the basin water will not freeze. For these applications, the condenser will be supplied without the spray pump, suction strainers and all associated piping, but with an oversize bottom outlet.



Multiple Circuit Coils

Condensers may be supplied with multiple circuit coils to match various system requirements such as split systems, or if a glycol or water circuit is desired for compressor head cooling.

Additional Options Available – Please contact your local EVAPCO Sales Representative or the EVAPCO factory for assistance.



eco-ATC-A Application

Design

EVAPCO units are heavy-duty construction and designed for long trouble-free operation. Proper equipment selection, installation and maintenance is, however, necessary to ensure good unit performance. Some of the major considerations in the application of a condenser are presented below. For additional information, contact the factory.

Structural Steel Support

The method of support for EVAPCO condensers is two structural "I" beams located under the outer flanges and running the entire length of the unit. Mounting holes 3/4" in diameter, are located in the bottom channels of the pan section to provide for bolting to the structural steel; refer to certified drawings from the factory for bolt hole locations.

Beams should be level to within 1/8" in 6' before setting the unit in place. Do not level the unit by shimming between it and the "I" beams as this will not provide proper longitudinal support.

NOTE: Consult IBC 2012 for required steel support layout and structural design.

Air Circulation

In reviewing the system design and unit location, it is important that proper air circulation be provided. The best location is on an unobstructed roof top or on ground level away from walls and other barriers. Care must be taken when locating condensers in wells or enclosures or next to high walls. The potential for recirculation of hot, moist discharge air back into the fan intake exists. Recirculation raises the wet bulb temperature of the entering air causing the condensing pressure to rise above the design. For these cases, a discharge hood or ductwork should be provided to raise the overall unit height even with the adjacent wall, thereby reducing the chance of recirculation. Good engineering practice dictates that the evaporative condenser's discharge air not be directed or located close to or in the vicinity of building air intakes. Engineering assistance is available from the factory to identify potential recirculation problems and recommend solutions.

For additional information regarding layout of evaporative condensers, see EVAPCO Bulletin entitled "*Equipment Layout*".

Piping

Condenser piping should be designed and installed in accordance with generally accepted engineering practice. All piping should be anchored by properly designed hangers and supports with allowance made for possible expansion and contraction. No external loads should be placed upon condenser connections, nor should any of the pipe supports be anchored to the unit framework. For additional information concerning refrigerant pipe sizing and layout, see EVAPCO Bulletin entitled "*Piping Evaporative Condensers*".

Maintaining the Recirculated Water System

The heat rejection in a condenser is accomplished by the evaporation of a portion of the recirculated spray water. As this water evaporates, it leaves behind all of its mineral content and impurities. Therefore, it is important to bleed-off an amount of water equal to that which is evaporated to prevent the build-up of these impurities. If this is not done, the mineral or the acidic nature of the water will continue to increase. This will ultimately result in heavy scaling or a corrosive condition.

Bleed-off

Each unit supplied with a pump mounted on the side is furnished with a clear bleed line for visual inspection and a valve which, when fully open, will bleed-off the proper amount of water. If the make-up water supplying the unit is relatively free of impurities, it may be possible to cut back the bleed, but the unit must be checked frequently to make sure scale is not forming. Make-up water pressure should be maintained between 20 and 50 psig.

Water Treatment

A proper water treatment program is an essential part of routine maintenance in order to help assure proper operation and longevity of the unit. To help prevent the formation of "white rust", the interior of the unit should be passivated during start-up and monitored periodically as part of the water treatment program. For more information about white rust, please request a copy of EVAPCO Engineering Bulletin 36. A qualified water treatment company should be contacted to design a water treatment protocol specifically based on applicable location, water quality and unit materials of construction.

If acid is used for treatment, it should be accurately metered and the concentration properly controlled. **The pH of the water should be maintained between 6.5 and 8.0. Units constructed of galvanized steel operating with circulating water having a pH of 8.3 or higher will require periodic passivation of the galvanized steel to prevent the formation of "white rust"**. Batch chemical feeding is not recommended because it does not afford the proper degree of control. If acid cleaning is required extreme caution must be exercised and only inhibited acids recommended for use with galvanized construction should be used.

NOTE: Operating the condenser below 6.0 pH for any period of time may cause the removal of the protective zinc coating on the galvanized steel components.

For more information see EVAPCO Bulletin entitled "*Maintenance Instructions*".

Control of Biological Contamination

Water quality should be checked regularly for biological contamination. If biological contamination is detected, a more aggressive water treatment and mechanical cleaning program should be undertaken. The water treatment program should be performed in conjunction with a qualified water treatment company. It is important that all internal surfaces be kept clean of accumulated dirt and sludge. In addition, the drift eliminators should be maintained in good operating condition.

Solutions for Sound Sensitive Applications

The eco-ATC-A product line is now available with four (4) equipment options to reduce the overall sound generated from the side or top of the unit. Each option provides various levels of sound reduction and can be used in combination to provide the lowest sound level. Consult EVAPCO's *evapSelect*® selection program for unit sound levels. If a detailed analysis or full octave band data sheet is required for your application, please consult your EVAPCO Sales Representative.

NOTE: These low sound options may impact the overall installed dimensions and weight of the unit.

eco-ATC-A Mechanical Specifications

Furnish and install, as shown on the plans, an EVAPCO model _____ induced draft, counterflow evaporative condenser with a condensing capacity of _____ MBH total heat of rejection when operating with _____ refrigerant at _____ °F condensing temperature with a _____ °F design wet bulb temperature and a dry bulb switchover temperature of _____ °F.

IBC 2012 Compliance

The condenser shall be designed and constructed to meet the International Building Code (IBC) specifications for installed components per ASCE. The manufacturer shall provide a certificate of compliance to demonstrate that the equipment/unit has been independently tested and certified in accordance with the IBC.

Basin and Casing

The basin and casing shall be constructed of G-235 hot-dip galvanized steel for long life and durability.

Standard basin accessories shall include overflow, drain, type 304 stainless steel strainers, and brass make-up valve with plastic float.

Models eco-ATC-122A-1g to eco-ATC-988A-1g

Fan Motor

_____ horsepower totally enclosed fan cooled motors with 1.15 service factor shall be furnished suitable for outdoor service on _____ volts, _____ hertz, and _____ phase. Motor(s) shall be mounted on an adjustable base which is accessible from the outside of the unit for service. A swing away protective cover shall shield the motor and sheave from the weather.

Drive

The fan drive shall be multigroove, solid back V-belt type with taper lock bushings designed for 150% of the motor nameplate horsepower. The belt material shall be neoprene reinforced with polyester cord and specifically designed for evaporative condenser service. Fan sheave shall be aluminum alloy construction. The fans and the fan sheaves shall be mounted on the shaft with a specially coated bushing to provide maximum corrosion protection. Belt adjustment shall be accomplished from the exterior of the unit. Bearing lube lines shall be extended to the exterior of the unit for easy maintenance.

Models eco-ATC-300A-1g to eco-ATC-3846A-1g

Fan Motor

_____ horsepower totally enclosed air over ball bearing fan motor(s), with 1.15 service factor shall be furnished suitable for service on _____ volts, _____ hertz, and _____ phase. Motor(s) shall be mounted on an adjustable base which allows the motor to swing to the outside of the unit for servicing.

Drive

The fan drive shall be a multigroove, solid back V-belt type with taper lock bushings designed for 150% of the motor nameplate horsepower. The belt material shall be neoprene reinforced with polyester cord and specifically designed for evaporative condenser service. Fan and motor sheaves shall be aluminum alloy construction. The fans and fan sheaves shall be mounted on the shaft with a specially coated bushing to provide maximum corrosion protection. Belt adjustment shall be accomplished from the exterior of the unit. Bearing lube lines shall be extended to the exterior of the unit for easy maintenance.

Axial Propeller Fans

Fans shall be heavy duty axial propeller type statically balanced. The fans shall be constructed of aluminum alloy or fiberglass reinforced polypropylene blades, installed in a closely fitted cowl with venturi air inlet. Fan screens shall be galvanized steel mesh and frame, bolted to the fan cowl.

Fan Shaft Bearings

Fan shaft bearings shall be heavy duty self-aligning ball type with grease fittings extended to the outside of the unit. Bearings shall be designed for a minimum L-10 life of 75,000 hours.

Water Recirculation Pump

The pump(s) shall be a close-coupled, centrifugal type with mechanical seal, installed vertically at the factory to allow free drainage on shut down. _____ horsepower totally enclosed motor(s) shall be furnished suitable for outdoor service on _____ volts, _____ hertz, and _____ phase.

Heat Transfer Coil

Condensing coil(s) shall be all prime surface steel, encased in a steel framework and hot-dip galvanized after fabrication as a complete assembly. The coil(s) shall be designed with sloping tubes for free drainage of liquid refrigerant and shall be pneumatically tested at 390 psig, under water.

Water Distribution System

The system shall provide a water flow rate of 6 GPM over each square foot of unit face area to ensure proper flooding of the coil. The spray header shall be constructed of schedule 40 polyvinyl chloride pipe for corrosion resistance. All spray branches shall be removable for cleaning. Heavy-duty ABS spray nozzles with large 1-1/4" diameter opening and internal sludge ring to eliminate clogging. Nozzles shall be threaded into spray header to provide easy removal for maintenance.

Eliminators

The eliminators shall be constructed entirely of inert polyvinyl chloride (PVC) in easily handled sections. The eliminator design shall incorporate three changes in air direction to assure complete removal of all entrained moisture from the discharge air stream. Maximum drift rate shall be less than 0.001% of the circulating water rate.

Louvers

The louvers shall be constructed from polyvinyl chloride (PVC) and mounted in a rugged steel frame. The louvers shall be mounted in easily removable sections for access to the pan for maintenance. The louvers shall have a minimum of two changes in air direction to prevent splashout and block direct sunlight.

Finish

All basin and casing materials shall be constructed of G-235 heavy gauge mill hot-dip galvanized steel. During fabrication, all panel edges shall be coated with a 95% pure zinc-rich compound for superior protection against corrosion.



EVAPCO PRODUCTS ARE MANUFACTURED WORLDWIDE.



- World Headquarters/ Research and Development Center
- EVAPCO Facilities

EVAPCO, Inc. — World Headquarters & Research/Development Center

EVAPCO, Inc. • P.O. Box 1300 • Westminster, MD 21158 USA
PHONE: 410-756-2600 • FAX: 410-756-6450 • E-MAIL: marketing@evapco.com

EVAPCO North America

EVAPCO, Inc.
World Headquarters
P.O. Box 1300
Westminster, MD 21158 USA
Phone: 410-756-2600
Fax: 410-756-6450
E-mail: marketing@evapco.com

EVAPCO East
1511 Allendale Lane
Taneytown, MD 21787 USA
Phone: 410-756-2600
Fax: 410-756-6450
E-mail: marketing@evapco.com

EVAPCO Midwest
1723 York Road
Greenup, IL 62428 USA
Phone: 217-923-3431
Fax: 217-923-3300
E-mail: evapcomw@evapcomw.com

EVAPCO West
1900 West Almond Avenue
Madera, CA 93637 USA
Phone: 559-673-2207
Fax: 559-673-2378
E-mail: contact@evapcowest.com

EVAPCO Iowa
925 Quality Drive
Lake View, IA 51450 USA
Phone: 712-657-3223
Fax: 712-657-3226

EVAPCO Iowa Sales & Engineering
215 1st Street, NE
P.O. Box 88
Medford, MN 55049 USA
Phone: 507-446-8005
Fax: 507-446-8239
E-mail: evapcomn@evapcomn.com

EVAPCO Northwest
5775 S.W. Jean Road, Suite 104
Lake Oswego, Oregon 97035 USA
Phone: 503-639-2137
Fax: 503-639-1800

EVAPCO Newton
701 East Jourdan Street
Newton, IL 62448 USA
Phone: 618-783-3433
Fax: 618-783-3499
E-mail: evapcomw@evapcomw.com

EVAPCO-BLCT Dry Cooling, Inc.
981 US Highway 22 West
Bridgewater, New Jersey 08807 USA
Phone: 1-908-379-2665
E-mail: info@evapco-blct.com

Refrigeration Valves & Systems Corporation
A wholly owned subsidiary of EVAPCO, Inc.
1520 Crosswind Dr.
Bryan, TX 77808 USA
Phone: 979-778-0095
Fax: 979-778-0030
E-mail: rvs@rvscorp.com

EvapTech, Inc.
A wholly owned subsidiary of EVAPCO, Inc.
8331 Nieman Road
Lenexa, KS 66214 USA
Phone: 913-322-5165
Fax: 913-322-5166
E-mail: marketing@evaptech.com

Tower Components, Inc.
A wholly owned subsidiary of EVAPCO, Inc.
5960 US HWY 64E
Ramseur, NC 27316
Phone: 336-824-2102
Fax: 336-824-2190
E-mail: mail@towercomponentsinc.com

EVAPCO Europe

EVAPCO Europe BVBA
European Headquarters
Industrieterrein Oost 4010
3700 Tongeren, Belgium
Phone: (32) 12-395029
Fax: (32) 12-238527
E-mail: evapco.europe@evapco.be

EVAPCO Europe, S.r.l.
Via Ciro Menotti 10
I-20017 Passirana di Rho
Milan, Italy
Phone: (39) 02-939-9041
Fax: (39) 02-935-00840
E-mail: evapcoeuropa@evapco.it

EVAPCO Europe, S.r.l.
Via Dosso 2
23020 Piateda Sondrio, Italy

EVAPCO Europe GmbH
Meerbuscher Straße 64-78
Haus 5
40670 Meerbusch, Germany
Phone: (49) 2159-69560
Fax: (49) 2159-695611
E-mail: info@evapco.de

Flex coil a/s
A wholly owned subsidiary of EVAPCO, Inc.
Knsogårdvej 115
DK-9440 Aabybro Denmark
Phone: (45) 9824 4999
Fax: (45) 9824 4990
E-mail: info@flexcoil.dk

EVAPCO S.A. (Pty.) Ltd.
A licensed manufacturer of EVAPCO, Inc.
18 Quality Road
Isando 1600
Republic of South Africa
Phone: (27) 11-392-6630
Fax: (27) 11-392-6615
E-mail: evapco@evapco.co.za

Evap Egypt Engineering Industries Co.
A licensed manufacturer of EVAPCO, Inc.
5 El Nasr Road
Nasr City, Cairo, Egypt
Phone: 2 02 24022866/2 02 24044997
Fax: 2 02 24044667/2 02 24044668
E-mail: Primacool@link.net / Shady@primacool.net

EVAPCO Asia/Pacific

EVAPCO Asia/Pacific Headquarters
1159 Luoning Rd. Baoshan Industrial Zone
Shanghai, P. R. China, Postal Code: 200949
Phone: (86) 21-6687-7786
Fax: (86) 21-6687-7008
E-mail: marketing@evapcochina.com

EVAPCO (Shanghai) Refrigeration Equipment Co., Ltd.
1159 Luoning Rd., Baoshan Industrial Zone
Shanghai, P.R. China, Postal Code: 200949
Phone: (86) 21-6687-7786
Fax: (86) 21-6687-7008
E-mail: sales@evapcochina.com

Beijing EVAPCO Refrigeration Equipment Co., Ltd.
Yan Qi Industrial Development District
Huai Rou County
Beijing, P.R. China, Postal Code: 101407
Phone: (86) 10 6166-7238
Fax: (86) 10 6166-7395
E-mail: evapcobj@evapcochina.com

EVAPCO Australia (Pty.) Ltd.
34-42 Melbourne Road
P.O. Box 436
Riverstone, N.S.W. Australia 2765
Phone: (61) 2 9627-3322
Fax: (61) 2 9627-1715
E-mail: sales@evapco.com.au

EVAPCO Composites Sdn. Bhd
No. 70 (Lot 1289) Jalan Industri 2/3
Rawang Integrated Industrial Park
Rawang, Selangor, 48000 Malaysia
Phone: 60 3 6092-2209
Fax: 60 3 6092-2210

EvapTech Asia Pacific Sdn. Bhd
A wholly owned subsidiary of EvapTech, Inc.
101 Business Park, 2/F Unit 20
Persiaran Puchong Jaya Selatan
Bandar Puchong Jaya,
47170 Puchong, Selangor, Malaysia
Phone: (60-3) 8070-7255
Fax: (60-3) 8070-5731
E-mail: marketing-ap@evaptech.com

EVAPCO...SPECIALISTS IN HEAT TRANSFER PRODUCTS AND SERVICES.

