

# COOLING TOWERS



## *Advanced Crossflow Series*

A New Spin on Crossflow Cooling Tower Technology



\*Mark owned by the Cooling Technology Institute

# Discover a NEW degree of flexibility

The Advanced Crossflow Series (AXS) from EVAPCO—a new spin on crossflow cooling tower technology.

## Modular Hot Water Basins:

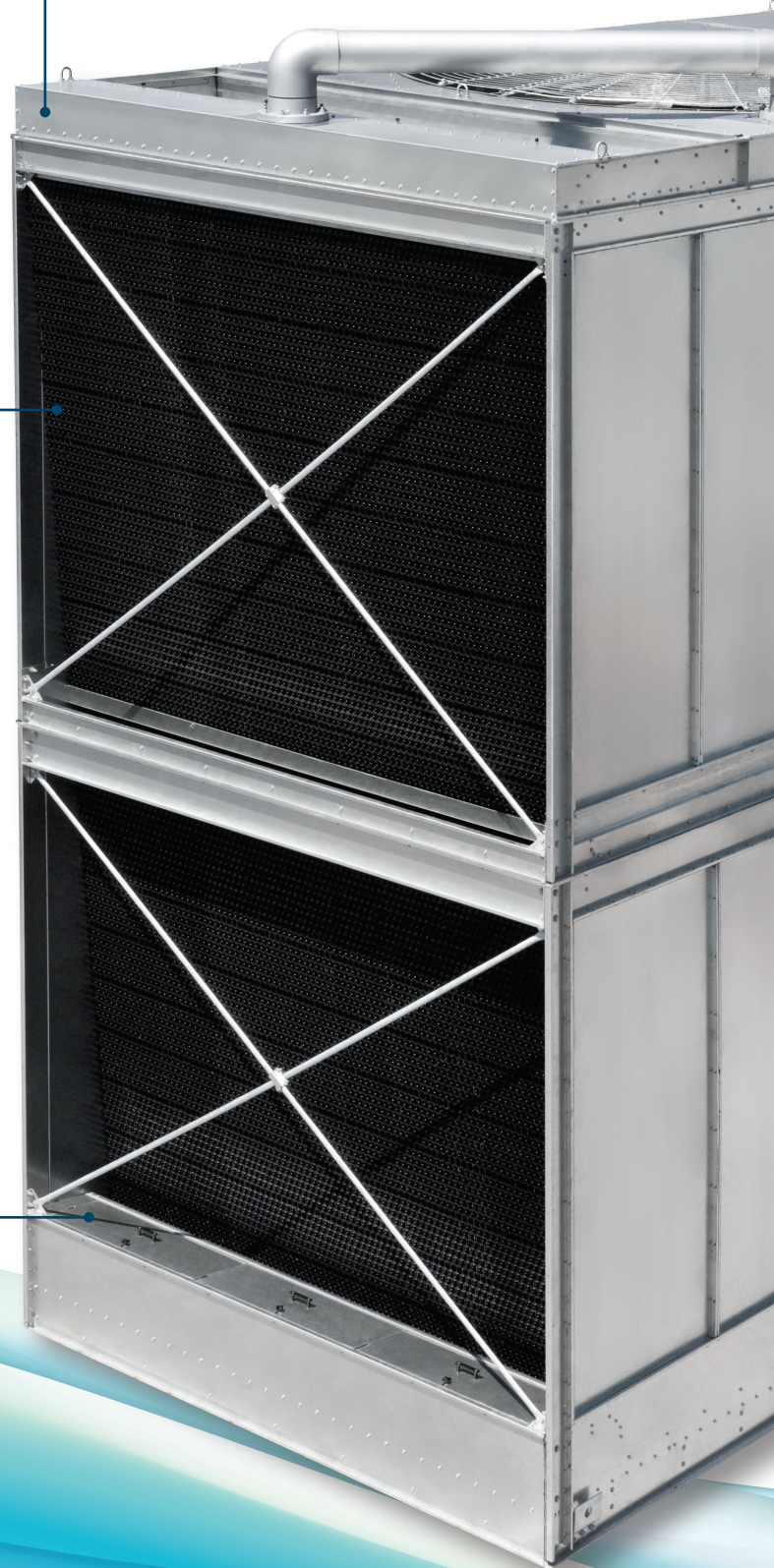
- Steel covers in easy to handle sections
- Gravity distribution basins
- Large orifice, non-clog nozzles
- Integral weir dams to accommodate at least 50% design flow

## EVAPAK Crossflow Fill:

- High efficiency bonded block fill
- Polyvinyl Chloride (PVC)
- Prevents air bypass
- Impervious to rot, decay and biological attack
- Integral louvers and drift eliminators
- Easy to handle
- Flame spread rating of 5 per ASTM E84-81a

## Cold Water Basin End Covers (optional):

- Prevents sunlight and debris from entering basin
- Easy lift-off with handles



## The EVAPCO Performance Guarantee

Every AXS product is rigorously thermal performance tested by EVAPCO and then independently certified by the Cooling Technology Institute (CTI) so you know you are getting a solution that's guaranteed to get the job done.

\*Mark owned by the Cooling Technology Institute

### Drive System:

- Solid back multi groove power band belt is standard
- Premium efficient, inverter capable, cooling tower duty motor
- Heavy duty pillow block bearings with the minimum L-10 life of 100,000 hours
- Extended lubrication lines
- Corrosion resistant cast aluminum sheaves



### Exclusive 5 Year Motor and Drive Warranty

### Single Side Inlet (optional):

- Self-balancing
- Includes all interior piping (factory installed)
- Includes all exterior piping (ships loose for field installation)

### Two (2) Oversized Access Doors:

- Swing-in doors on each side wall
- Easy access to interior of unit

### Bottom Supported Fill:

- Non-sagging
- Minimum 3" above basin floor
- Easy to clean under
- Allows room for optional sump sweeper piping



## About EVAPCO

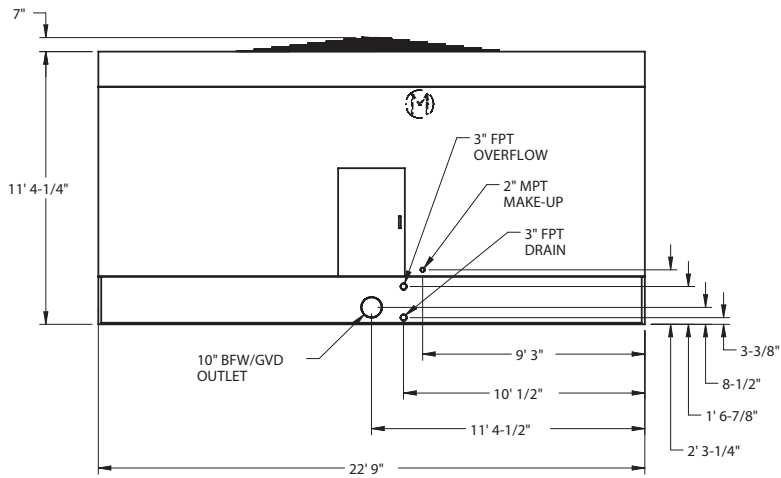
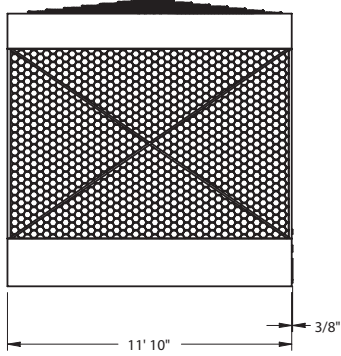
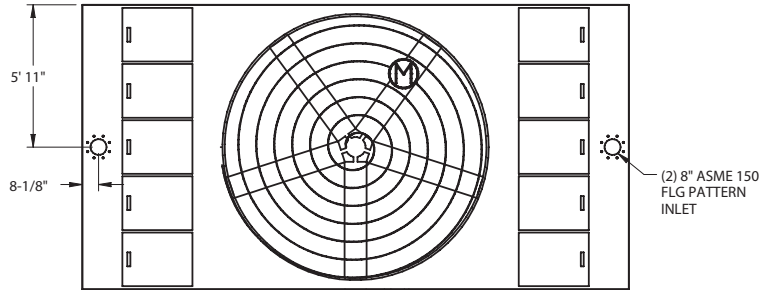
EVAPCO is the global innovator in heat transfer solutions. Our pledge is to make everyday life easier, more comfortable, more reliable, and more sustainable for people everywhere. With manufacturing facilities and sales offices in more than 40 countries and 28 patents worldwide in the last 10 years alone—we are the team that engineers and contractors know they can count on for life.

## CONTACT

your local EVAPCO Representative or visit [evapco.com](http://evapco.com) to learn more.

# Models: AXS 12-11G22 to AXS 12-11P22

## Single Stack Cooling Towers

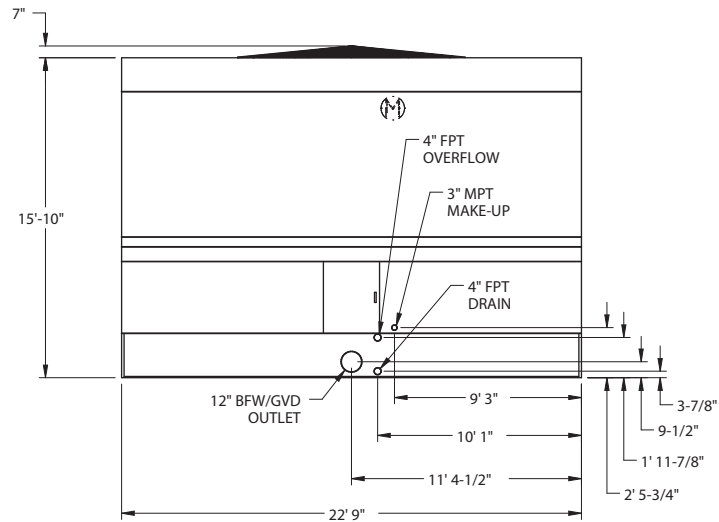
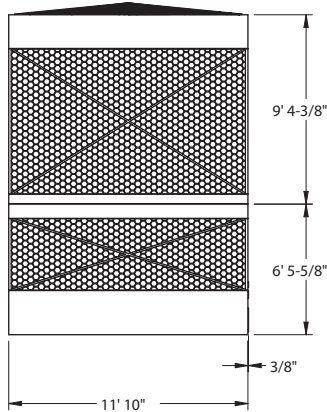
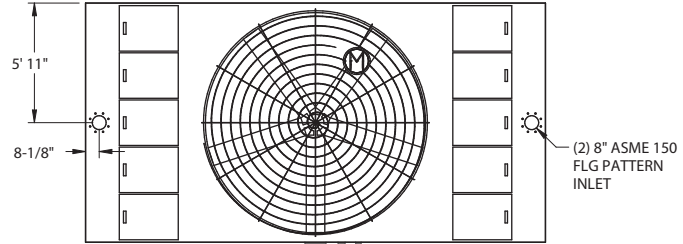


Model No.	Nominal Tonnage	ASHRAE STD 90.1 (gpm/HP)	Fan Motor (HP)	Air Flow (CFM)	Weights (LBS)	
					Shipping	Operating
AXS 12-11G22	312	220.1	5	75,900	11,800	25,990
AXS 12-11H22	353	166.4	7.5	86,100	11,850	26,040
AXS 12-11I22	386	136.5	10	94,100	11,860	26,060
AXS 12-11J22	438	103.2	15	106,700	11,970	26,160
AXS 12-11K22	479	84.6	20	116,600	12,030	26,220
AXS 12-11L22	513	72.5	25	124,900	12,060	26,250
AXS 12-11M22	543	63.9	30	132,200	12,110	26,300
AXS 12-11N22	594	52.4	40	144,500	12,300	26,490
AXS 12-11O22	636	44.9	50	154,900	12,400	26,590
AXS 12-11P22	673	39.6	60	163,900	12,640	26,830

- NOTE: (1) An adequately sized bleed line must be installed in the cooling tower system to prevent build-up of impurities in the recirculated water.  
 (2) Do not use catalog drawings for certified prints. Dimensions and weights are subject to change.  
 (3) Adequate spacing must be allowed for access to the cooling tower. Refer to EVAPCO's Equipment Layout Manual.  
 (4) Fan guard does not ship factory mounted.

# Models: AXS 12-16I22 to AXS 12-16Q22

## Double Stack Cooling Towers



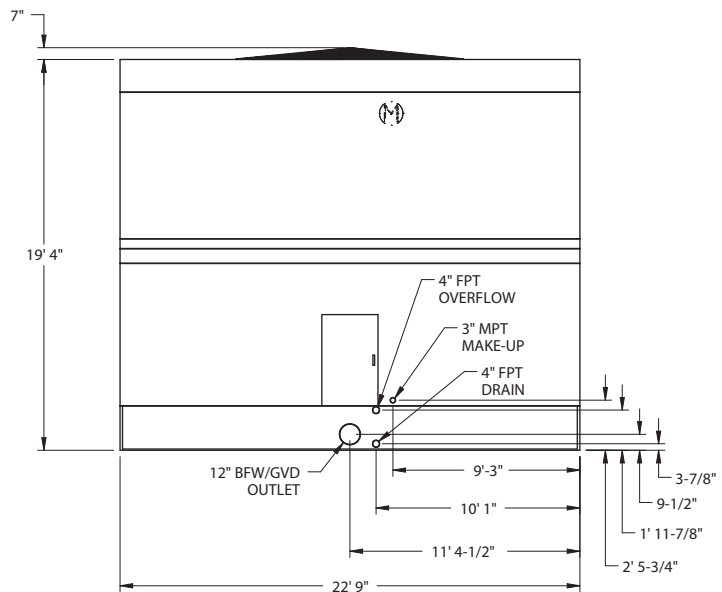
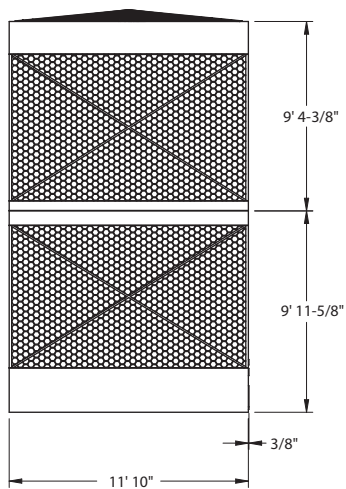
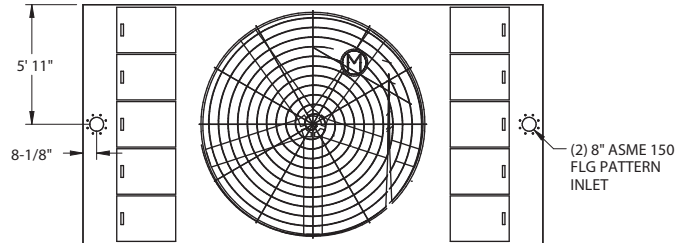
Model No.	Nominal Tonnage	ASHRAE STD 90.1 (gpm/HP)	Fan Motor (HP)	Air Flow (CFM)	Weights (LBS)		
					Shipping	Operating	Heaviest Section †
AXS 12-16I22	493	169.8	10	120,500	15,350	36,290	9,220
AXS 12-16J22	557	127.9	15	136,100	15,450	36,390	9,330
AXS 12-16K22	607	104.5	20	148,400	15,510	36,450	9,390
AXS 12-16L22	649	89.4	25	158,700	15,540	36,480	9,420
AXS 12-16M22	686	78.7	30	167,600	15,590	36,530	9,470
AXS 12-16N22	748	64.4	40	182,700	15,780	36,720	9,660
AXS 12-16O22	799	55.0	50	195,300	15,880	36,820	9,760
AXS 12-16P22	844	48.5	60	206,300	16,120	37,060	10,000
AXS 12-16Q22	903	41.4	75	220,600	16,230	37,170	10,110

NOTE: (1) An adequately sized bleed line must be installed in the cooling tower system to prevent build-up of impurities in the recirculated water.  
 (2) Do not use catalog drawings for certified prints. Dimensions and weights are subject to change.  
 (3) Adequate spacing must be allowed for access to the cooling tower. Refer to EVAPCO's Equipment Layout Manual.

† Heaviest section is upper section.

# Models: AXS 12-19I22 to AXS 12-19Q22

## Double Stack Cooling Towers



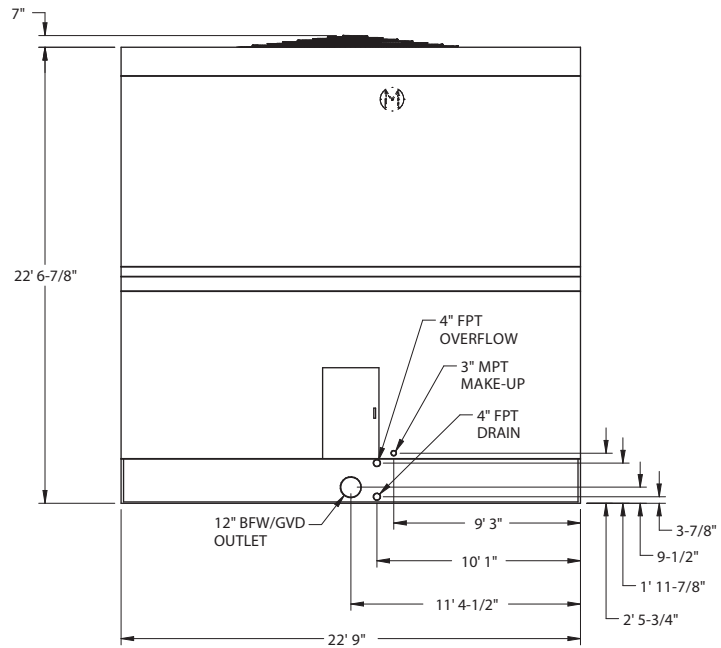
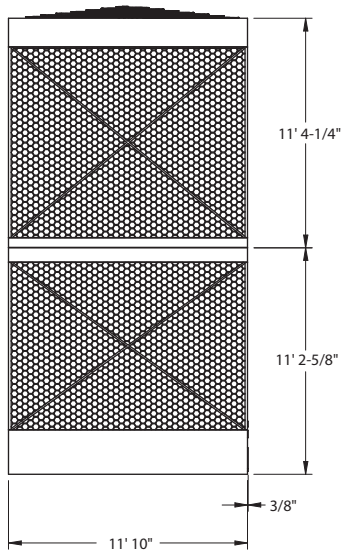
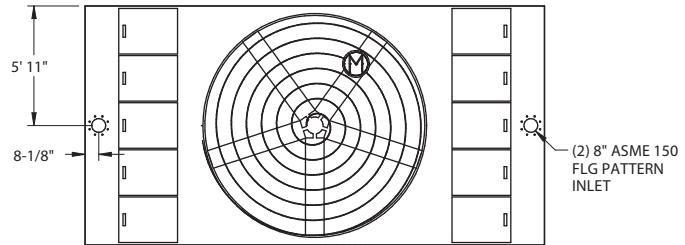
Model No.	Nominal Tonnage	ASHRAE STD 90.1 (gpm/HP)	Fan Motor (HP)	Air Flow (CFM)	Weights (LBS)		
					Shipping	Operating	Heaviest Section †
AXS 12-19I22	547	187.8	10	127,900	16,410	37,350	9,220
AXS 12-19J22	618	141.4	15	144,400	16,510	37,450	9,330
AXS 12-19K22	674	115.6	20	157,400	16,570	37,510	9,390
AXS 12-19L22	720	98.9	25	168,300	16,600	37,540	9,420
AXS 12-19M22	761	87.0	30	177,800	16,650	37,590	9,470
AXS 12-19N22	829	71.2	40	193,800	16,840	37,780	9,660
AXS 12-19O22	887	60.9	50	207,200	16,940	37,890	9,760
AXS 12-19P22	937	53.6	60	218,800	17,180	38,120	10,000
AXS 12-19Q22	1002	45.8	75	234,000	17,290	38,230	10,110

- NOTE: (1) An adequately sized bleed line must be installed in the cooling tower system to prevent build-up of impurities in the recirculated water.  
 (2) Do not use catalog drawings for certified prints. Dimensions and weights are subject to change.  
 (3) Adequate spacing must be allowed for access to the cooling tower. Refer to EVAPCO's Equipment Layout Manual.

† Heaviest section is upper section.

# Models: AXS 12-22I22 to AXS 12-22R22

## Double Stack Cooling Towers



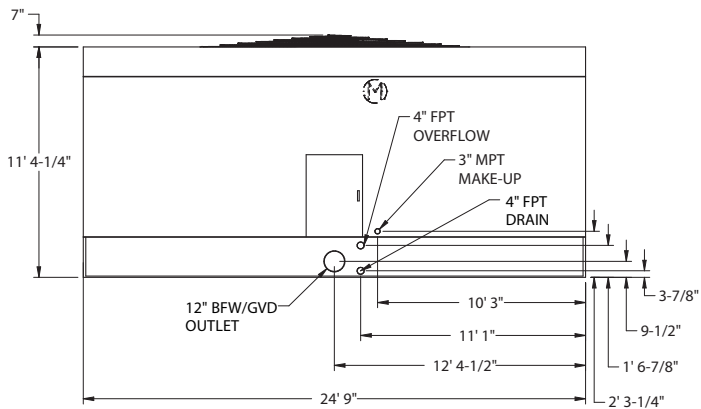
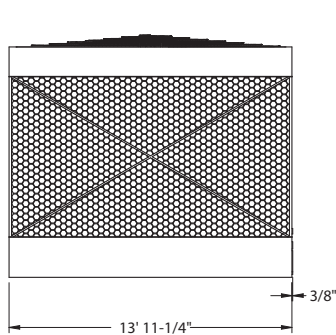
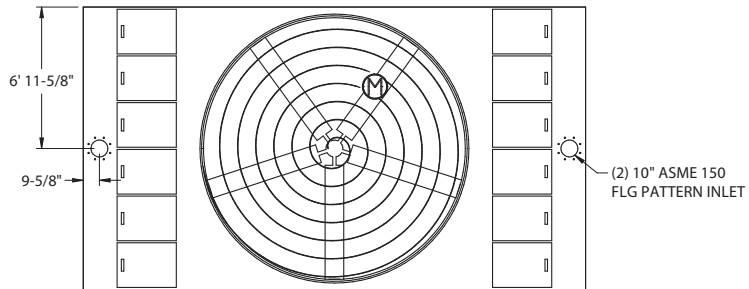
Model No.	Nominal Tonnage	ASHRAE STD 90.1 (gpm/HP)	Fan Motor (HP)	Air Flow (CFM)	Weights (LBS)		
					Shipping	Operating	Heaviest Section *
AXS 12-22I22	576	201.1	10	132,600	18,830	39,770	10,370
AXS 12-22J22	650	151.4	15	149,800	18,930	39,870	10,480
AXS 12-22K22	709	123.8	20	163,300	18,990	39,930	10,540
AXS 12-22L22	758	105.9	25	174,600	19,020	39,960	10,570
AXS 12-22M22	800	93.2	30	184,400	19,070	40,010	10,620
AXS 12-22N22	872	76.2	40	201,000	19,260	40,200	10,810
AXS 12-22O22	933	65.2	50	214,900	19,360	40,310	10,910
AXS 12-22P22	985	57.4	60	227,000	19,600	40,540	11,150
AXS 12-22Q22	1053	49.1	75	242,700	19,710	40,650	11,260
AXS 12-22R22	1148	40.1	100	264,600	20,560	41,500	12,110

- NOTE: (1) An adequately sized bleed line must be installed in the cooling tower system to prevent build-up of impurities in the recirculated water.  
 (2) Do not use catalog drawings for certified prints. Dimensions and weights are subject to change.  
 (3) Adequate spacing must be allowed for access to the cooling tower. Refer to EVAPCO's Equipment Layout Manual.  
 (4) Fan guard does not ship factory mounted.

\* Heaviest section is upper section.

# Models: AXS 14-11H24 to AXS 14-11P24

## Single Stack Cooling Towers



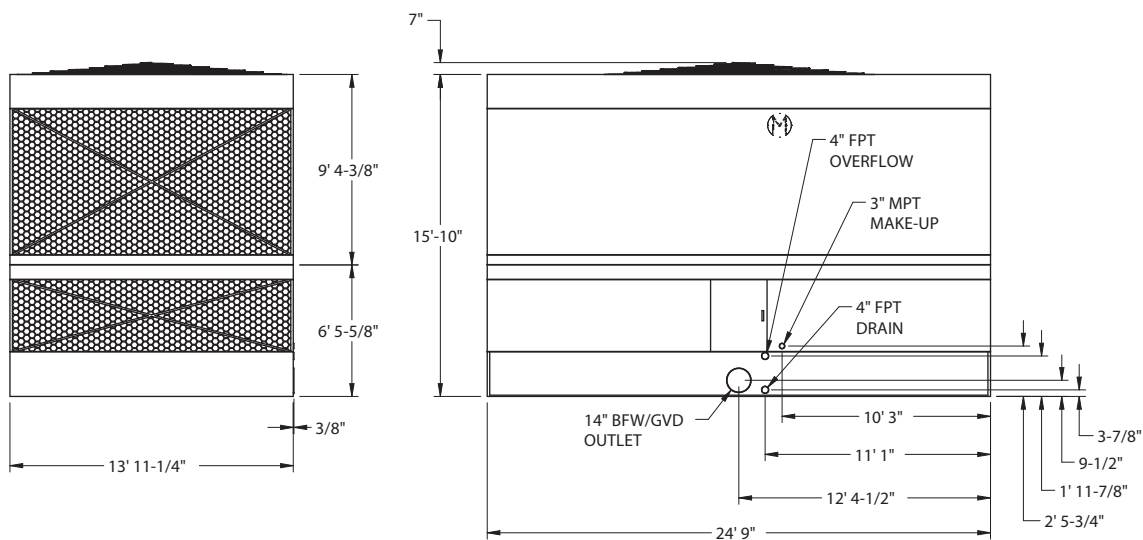
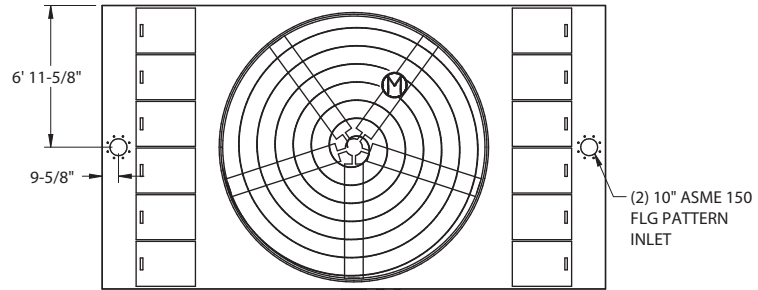
Model No.	Nominal Tonnage	ASHRAE STD 90.1 (gpm/HP)	Fan Motor (HP)	Air Flow (CFM)	Weights (LBS)	
					Shipping	Operating
AXS 14-11H24	387	182.7	7.5	104,900	14,270	32,190
AXS 14-11I24	423	149.8	10	114,400	14,330	32,250
AXS 14-11J24	479	113.2	15	129,200	14,290	32,210
AXS 14-11K24	524	92.9	20	140,900	14,360	32,270
AXS 14-11L24	561	79.6	25	150,700	14,540	32,450
AXS 14-11M24	594	70.2	30	159,200	14,590	32,500
AXS 14-11N24	650	57.6	40	173,500	14,750	32,670
AXS 14-11O24	696	49.3	50	185,500	14,760	32,680
AXS 14-11P24	737	43.5	60	195,900	15,000	32,920

- NOTE: (1) An adequately sized bleed line must be installed in the cooling tower system to prevent build-up of impurities in the recirculated water.  
 (2) Do not use catalog drawings for certified prints. Dimensions and weights are subject to change.  
 (3) Adequate spacing must be allowed for access to the cooling tower. Refer to EVAPCO's Equipment Layout Manual.  
 (4) Fan guard does not ship factory mounted.



# Models: AXS 14-16J24 to AXS 14-16R24

## Double Stack Cooling Towers



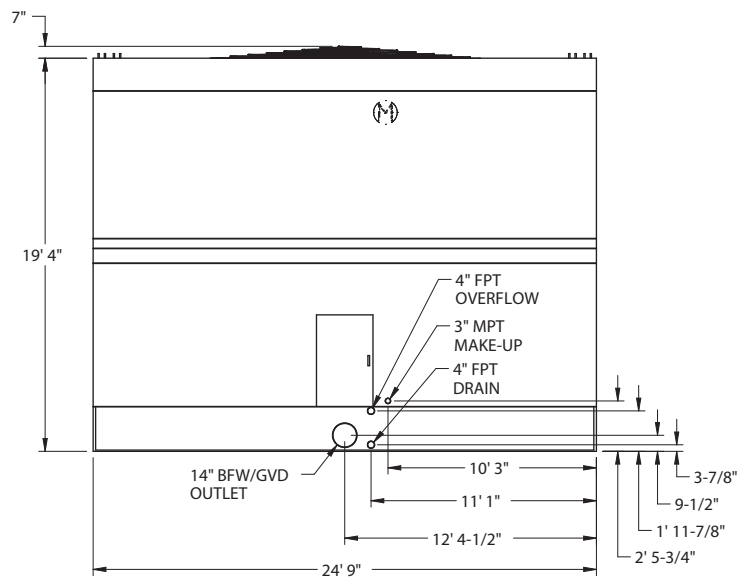
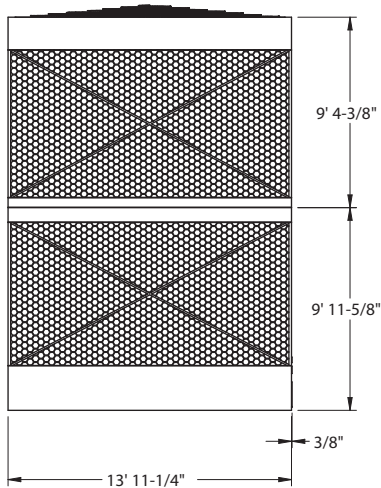
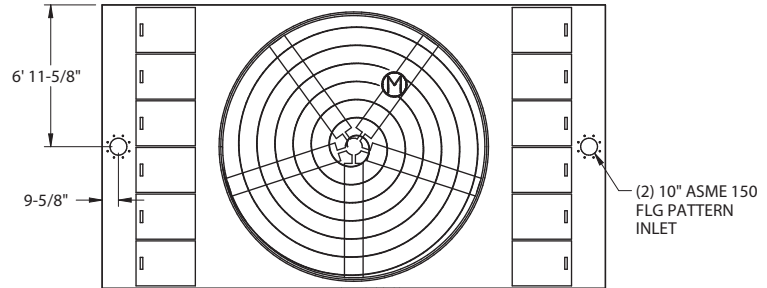
Model No.	Nominal Tonnage	ASHRAE STD 90.1 (gpm/HP)	Fan Motor (HP)	Air Flow (CFM)	Weights (LBS)		
					Shipping	Operating	Heaviest Section †
AXS 14-16J24	615	141.8	15	141,100	19,760	46,410	11,660
AXS 14-16K24	671	116.0	20	153,800	19,820	46,470	11,720
AXS 14-16L24	717	99.2	25	164,400	20,000	46,650	11,900
AXS 14-16M24	758	87.3	30	173,600	20,050	46,700	11,950
AXS 14-16N24	826	71.4	40	189,300	20,210	46,860	12,110
AXS 14-16O24	883	61.1	50	202,400	20,220	46,870	12,120
AXS 14-16P24	911	53.7	60	213,800	20,470	47,120	12,360
AXS 14-16Q24	975	46.0	75	228,600	20,630	47,280	12,520
AXS 14-16R24	1062	37.6	100	249,200	21,590	48,240	13,490

NOTE: (1) An adequately sized bleed line must be installed in the cooling tower system to prevent build-up of impurities in the recirculated water.  
 (2) Do not use catalog drawings for certified prints. Dimensions and weights are subject to change.  
 (3) Adequate spacing must be allowed for access to the cooling tower. Refer to EVAPCO's Equipment Layout Manual.

† Heaviest section is upper section.

# Models: AXS 14-19J24 to AXS 14-19R24

## Double Stack Cooling Towers



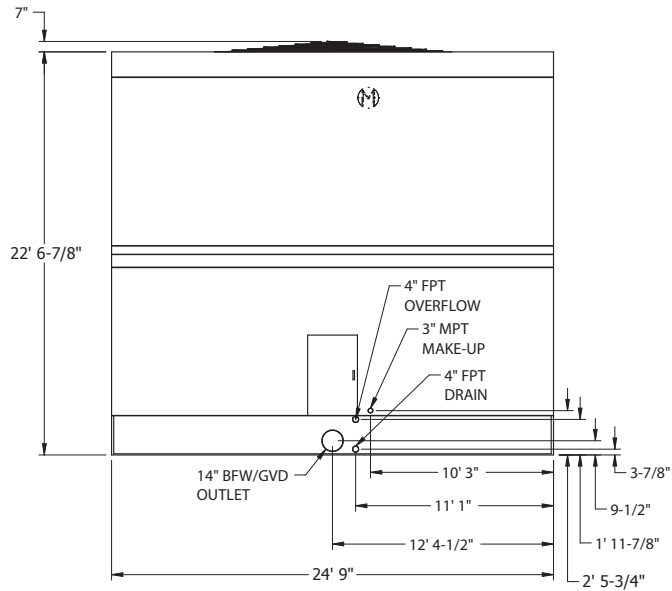
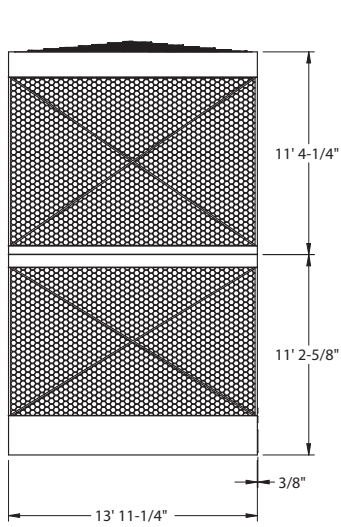
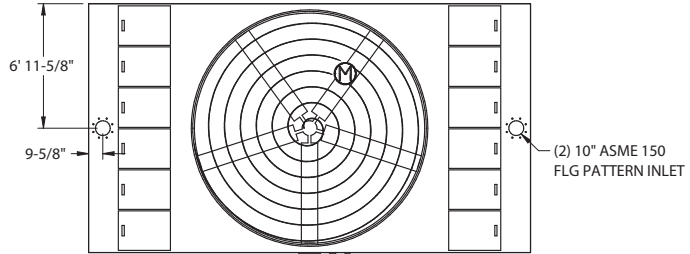
Model No.	Nominal Tonnage	ASHRAE STD 90.1 (gpm/HP)	Fan Motor (HP)	Air Flow (CFM)	Weights (LBS)		
					Shipping	Operating	Heaviest Section †
AXS 14-19J24	685	157.3	15	151,200	21,010	47,660	11,660
AXS 14-19K24	746	128.6	20	164,800	21,080	47,720	11,720
AXS 14-19L24	798	110.0	25	176,200	21,260	47,900	11,900
AXS 14-19M24	843	96.9	30	186,100	21,310	47,950	11,950
AXS 14-19N24	919	79.2	40	202,900	21,470	48,120	12,110
AXS 14-19O24	982	67.7	50	217,000	21,480	48,130	12,120
AXS 14-19P24	1014	59.6	60	229,200	21,720	48,370	12,360
AXS 14-19Q24	1085	51.0	75	245,100	21,880	48,530	12,520
AXS 14-19R24	1182	41.7	100	267,200	22,850	49,490	13,490

NOTE: (1) An adequately sized bleed line must be installed in the cooling tower system to prevent build-up of impurities in the recirculated water.  
 (2) Do not use catalog drawings for certified prints. Dimensions and weights are subject to change.  
 (3) Adequate spacing must be allowed for access to the cooling tower. Refer to EVAPCO's Equipment Layout Manual.

† Heaviest section is upper section.

# Models: AXS 14-22J24 to AXS 14-22S24

## Double Stack Cooling Towers



Model No.	Nominal Tonnage	ASHRAE STD 90.1 (gpm/HP)	Fan Motor (HP)	Air Flow (CFM)	Weights (LBS)		
					Shipping	Operating	Heaviest Section †
AXS 14-22J24	718	168.1	15	156,000	22,340	48,990	12,590
AXS 14-22K24	783	137.5	20	170,100	22,400	49,050	12,650
AXS 14-22L24	837	117.6	25	181,900	22,580	49,230	12,830
AXS 14-22M24	884	103.5	30	192,100	22,630	49,280	12,880
AXS 14-22N24	964	84.6	40	209,400	22,790	49,440	13,040
AXS 14-22O24	1031	72.4	50	223,900	22,800	49,450	13,050
AXS 14-22P24	1089	63.7	60	236,500	23,050	49,700	13,290
AXS 14-22Q24	1164	54.5	75	252,900	23,210	49,860	13,450
AXS 14-22R24	1269	44.6	100	275,700	24,170	50,820	14,420
AXS 14-22S24	1357	38.1	125	294,800	24,710	51,360	14,960

NOTE: (1) An adequately sized bleed line must be installed in the cooling tower system to prevent build-up of impurities in the recirculated water.

(2) Do not use catalog drawings for certified prints. Dimensions and weights are subject to change.

(3) Adequate spacing must be allowed for access to the cooling tower. Refer to EVAPCO's Equipment Layout Manual.

(4) Fan guard does not ship factory mounted.

† Heaviest section is upper section.

# AXS Design Features

## Cold Water Basin End Covers

The cold water basin can be provided with removable end covers that protect the end of the basin from dirt, debris and sunlight while still allowing for access under the fill for thorough cleaning.



## EVAPAK® Crossflow Fill

The UV inhibited PVC fill media in every AXS cooling tower is bottom supported, bonded block fill which maintains its rigidity through years of use. The bottom supported design ensures that the fill will never sag which prevents loss of heat transfer and minimizes the risk of under deposit corrosion due to dirt and debris build up.



## Oversized Access Doors

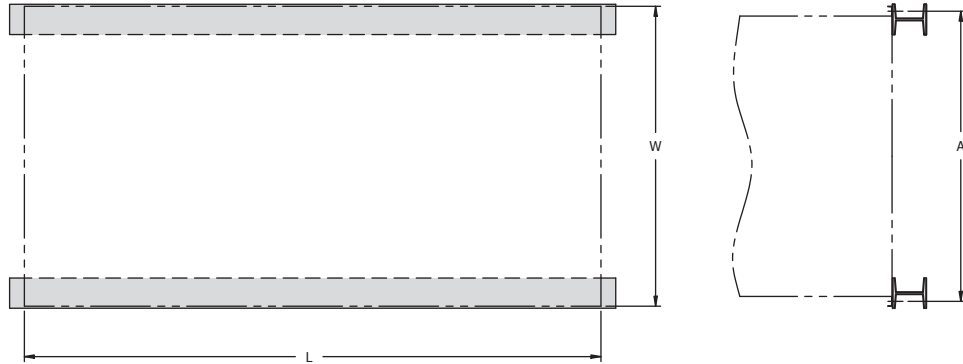
The standard oversized access doors are located on each side wall of the cooling tower for easy, unobstructed access to the plenum area from either side of the cooling tower.



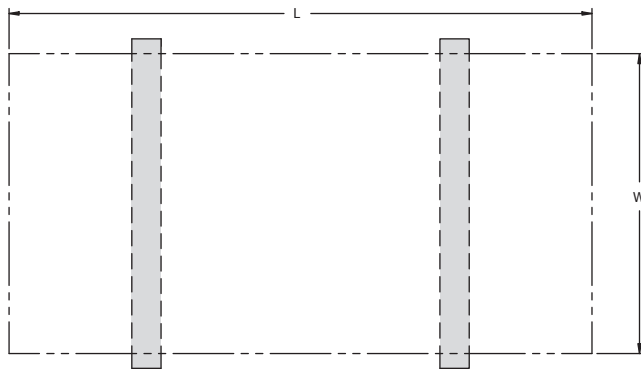
# Structural Steel Support

All AXS Models

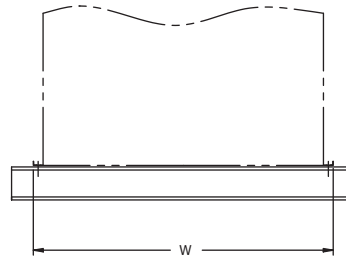
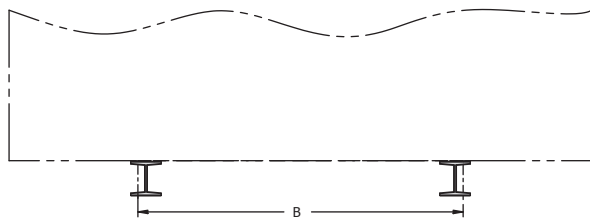
## Suggested I-Beam Arrangement



Longitudinal Steel Support Arrangement



Unit	W	L	A	Standard B	Minimum B
12x22	11'-10"	22'-9"	11'-8 1/2"	12'-10"	9'-6"
14x24	13'-11 1/4"	24'-9"	13'-9 3/4"	15'-4"	12'



Transverse Steel Support Arrangement

### NOTES:

1. These are suggested arrangements for preliminary layout purposes. Consult your EVAPCO representative for factory certified steel support drawings.
2. Beams should be sized in accordance with accepted structural practices. Maximum deflection of beam under unit to be  $1/360$  of the unit length, not to exceed  $1/2"$ .
3. Deflection may be calculated by using 55% of the operating weight as a uniform load on each beam.
4. Beams should be level before setting the unit in place. Do not level the unit by shimming between it and the I-beams.
5. Support beams and anchor bolts are to be furnished by others.
6. Dimensions, weights and data are subject to change without notice. Refer to the factory certified drawings for exact dimensions.
7. The unit will have pre-punched anchor bolt holes in the standard and minimum hole spacing locations only (see B dimensions from table 1). All other anchor bolt holes will be located and drilled by others.
8. For alternate beam positioning, please consult your EVAPCO representative.

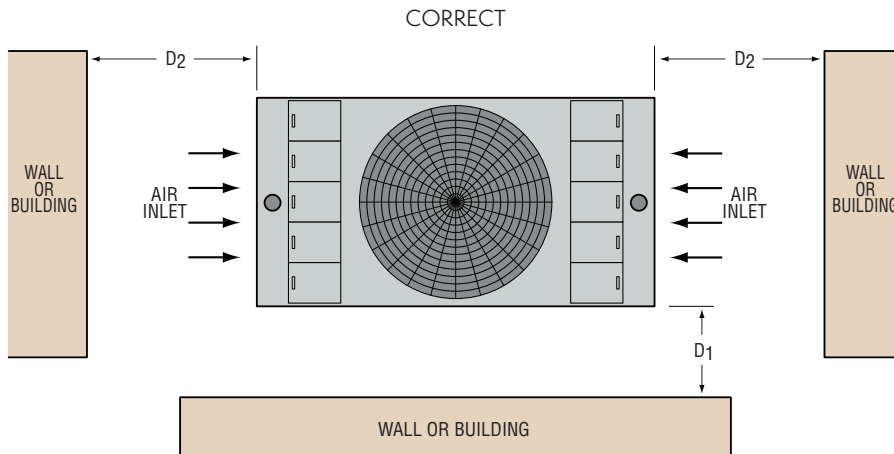
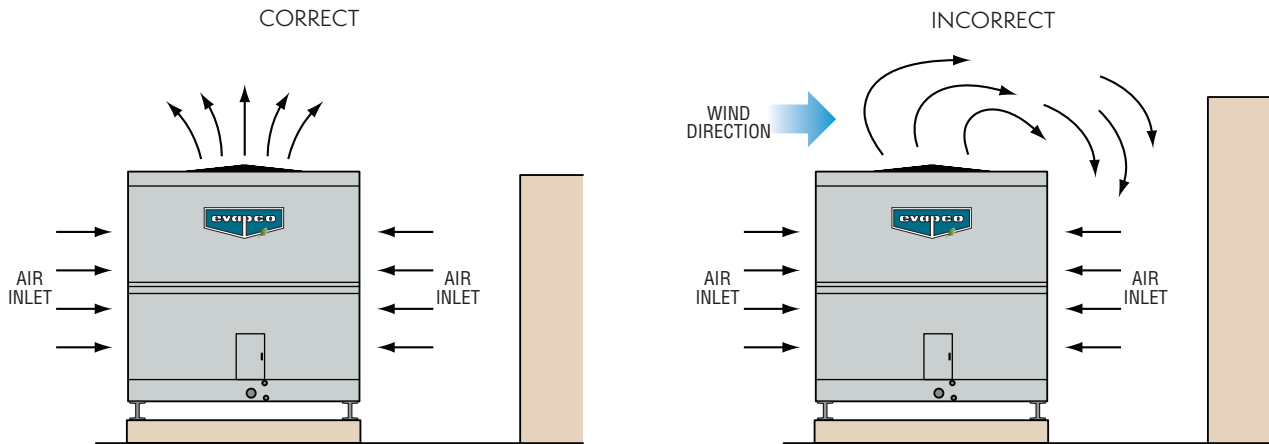
NOTE: OPTIONAL BOTTOM CONNECTIONS WILL REQUIRE THE UNIT TO BE ELEVATED TO ALLOW FOR PIPING.

# Equipment Layout Guidelines

All AXS Models

## Unit Layout

Since evaporative cooling equipment requires large quantities of air, adequate spacing around the unit must be provided for it to perform properly. An equally important consideration when laying out the equipment is to locate the unit so that recirculation is minimized. The top of the cooling tower must be equal to or higher than any adjacent walls, buildings or other structures. When the top of the unit is lower than the surrounding structures recirculation can be a major problem.



Unit	Minimum Dimension (ft.)*				
	D1	D2 - one unit	D2 - two units	D2 - three units	D2 - four units
Single Stack - 12' wide	3.5	7	11	13.5	15
Double Stack - 12' wide	3.5	7.5	12	15.5	18
Single Stack - 14' wide	3.5	8	12	14.5	16
Double Stack - 14' wide	3.5	8	13	16.5	19

\*Minimum dimensions will increase on multi-cell installations.  
CONSULT FACTORY FOR LARGER INSTALLATIONS.





OUR PRODUCTS ARE MANUFACTURED WORLDWIDE.



- World Headquarters/ Research and Development Center
- EVAPCO Facilities

## EVAPCO, Inc. — World Headquarters & Research / Development Center

P.O. Box 1300 • Westminster, MD 21158 USA  
410-756-2600 p • 410-756-6450 f • [marketing@evapco.com](mailto:marketing@evapco.com)

### North America

**EVAPCO, Inc.**  
World Headquarters  
P.O. Box 1300  
Westminster, MD 21158 USA  
410-756-2600 p | 410-756-6450 f  
[marketing@evapco.com](mailto:marketing@evapco.com)

**EVAPCO East**  
5151 Allendale Lane  
Taneytown, MD 21787 USA  
410-756-2600 p | 410-756-6450 f  
[marketing@evapco.com](mailto:marketing@evapco.com)

**EVAPCO Midwest**  
1723 York Road  
Greenup, IL 62428 USA  
217-923-3431 p | 217-923-3300 f  
[evapcomw@evapcomw.com](mailto:evapcomw@evapcomw.com)

**EVAPCO West**  
1900 West Almond Avenue  
Madera, CA 93637 USA  
559-673-2207 p | 559-673-2378 f  
[contact@evapcowest.com](mailto:contact@evapcowest.com)

**EVAPCO Iowa**  
925 Quality Drive  
Lake View, IA 51450 USA  
712-657-3223 p | 712-657-3226 f

**EVAPCO Iowa Sales & Engineering**  
215 1st Street, NE  
P.O. Box 88  
Medford, MN 55049 USA  
507-446-8005 p | 507-446-8239 f  
[evapcomn@evapcomn.com](mailto:evapcomn@evapcomn.com)

**EVAPCO Newton**  
701 East Jourdan Street  
Newton, IL 62448 USA  
618-783-3433 | 618-783-3499 f  
[evapcomw@evapcomw.com](mailto:evapcomw@evapcomw.com)

**EVAPCOLD**  
521 Evapco Drive  
Greenup, Ill USA  
217-923-3431 p  
[evapcomw@evapcomw.com](mailto:evapcomw@evapcomw.com)

**EVAPCO-BLCT Dry Cooling, Inc.**  
1011 US Highway 22 West  
Bridgewater, New Jersey 08807 USA  
1-908-379-2665 p  
[info@evapco-blct.com](mailto:info@evapco-blct.com)

**Refrigeration Valves & Systems Corporation**  
*A wholly owned subsidiary of EVAPCO, Inc.*  
1520 Crosswind Dr.  
Bryan, TX 77808 USA  
979-778-0095 p | 979-778-0030 f  
[rsv@rvscorp.com](mailto:rsv@rvscorp.com)

**EvapTech, Inc.**  
*A wholly owned subsidiary of EVAPCO, Inc.*  
8331 Nieman Road  
Lenexa, KS 66214 USA  
913-322-5165 p | 913-322-5166 f  
[marketing@evaptech.com](mailto:marketing@evaptech.com)

**Tower Components, Inc.**  
*A wholly owned subsidiary of EVAPCO, Inc.*  
5960 US HWY 64E  
Ramseur, NC 27316  
336-824-2102 p | 336-824-2190 f  
[mail@towercomponentsinc.com](mailto:mail@towercomponentsinc.com)

### South America

**EVAPCO Brasil**  
*Equipamentos Industriais Ltda.*  
Al. Vênus, 151 – CEP: 13347-659  
Indaiatuba – São Paulo – Brasil  
(55) 11-5681 2000 p  
[vendas@evapco.com.br](mailto:vendas@evapco.com.br)

### Europe

**EVAPCO Europe BVBA**  
European Headquarters  
Heerstevelweg 19  
Industrieterrein Oost  
3700 Tongeren, Belgium  
(32) 12-395029 p | (32) 12-238527 f  
[evapco.europe@evapco.be](mailto:evapco.europe@evapco.be)

**EVAPCO Europe, S.r.l.**  
Via Ciro Menotti 10  
I-20017 Passirana di Rho  
Milan, Italy  
(39) 02-939-9041 p | (39) 02-935-00840 f  
[evapcoeuropa@evapco.it](mailto:evapcoeuropa@evapco.it)

**EVAPCO Europe, S.r.l.**  
Via Dosso 2  
23020 Piateda Sondrio, Italy

**EVAPCO Europe GmbH**  
Insterburger Straße 18  
D-40670 Meerbusch, Germany  
40670 Meerbusch, Germany  
(49) 2159-69560 p | (49) 2159-695611 f  
[info@evapco.de](mailto:info@evapco.de)

**EVAPCO Air Solutions**  
*A wholly owned subsidiary of EVAPCO, Inc.*  
Knøsgårdvej 115  
DK-9440 Aabybro Denmark  
(45) 9824 4999 p | (45) 9824 4990 f  
[info@flexcoil.dk](mailto:info@flexcoil.dk)

**EVAPCO S.A. (Pty.) Ltd.**  
*A licensed manufacturer of EVAPCO, Inc.*  
18 Quality Road  
Isando 1600  
Republic of South Africa  
(27) 11-392-6630 p | (27) 11-392-6615 f  
[evapco@evapco.co.za](mailto:evapco@evapco.co.za)

**Evap Egypt Engineering Industries Co.**  
*A licensed manufacturer of EVAPCO, Inc.*  
5 El Nasr Road  
Nasr City, Cairo, Egypt  
2 02 24022866 / 2 02 24044997 p  
2 02 24044667 / 2 02 24044668 f  
[Primacool@link.net](mailto:Primacool@link.net) / [Shady@primacool.net](mailto:Shady@primacool.net)

### Asia/Pacific

**EVAPCO Asia/Pacific Headquarters**  
1159 Luoning Rd. Baoshan Industrial Zone  
Shanghai 200949, P.R. China  
(86) 21-6687-7786 p | (86) 21-6687-7008 f  
[marketing@evapcochina.com](mailto:marketing@evapcochina.com)

**EVAPCO (Shanghai) Refrigeration Equipment Co., Ltd.**  
1159 Luoning Rd., Baoshan Industrial Zone  
Shanghai 200949, P.R. China  
(86) 21-6687-7786 p | (86) 21-6687-7008 f  
[marketing@evapcochina.com](mailto:marketing@evapcochina.com)

**Beijing EVAPCO Refrigeration Equipment Co., Ltd.**  
No. 13 Yanxi Avenue, Yanqi Development Zone  
Huai Rou County  
Beijing, P.R. China  
(86) 10 6166-7238 p | (86) 10 6166-7395 f  
[evapcobj@evapcochina.com](mailto:evapcobj@evapcochina.com)

**EVAPCO Australia (Pty.) Ltd.**  
34-42 Melbourne Road  
P.O. Box 436  
Riverstone, N.S.W. Australia 2765  
(61) 2 9627-3322 p | (61) 2 9627-1715 f  
[E-mail:sales@evapco.com.au](mailto:E-mail:sales@evapco.com.au)

**EVAPCO Composites Sdn. Bhd**  
No. 70 (Lot 1289) Jalan Industri 2/3  
Rawang Integrated Industrial Park  
Rawang, Selangor, 48000 Malaysia  
60 3 6092-2209 p | 60 3 6092-2210 f

**EvapTech Asia Pacific Sdn. Bhd**  
*A wholly owned subsidiary of EvapTech, Inc.*  
B-6-1, IOI Boulevard  
Jalan Kenari 5, Bandar Puchong Jaya  
47170 Puchong, Selangor Darul Ehsan  
Malaysia  
(60-3) 8070-7255 p | (60-3) 8070-5731 f  
[E-mail:marketing-ap@evaptech.com](mailto:E-mail:marketing-ap@evaptech.com)