

COOLING TOWERS

AT | UT | USS *Advanced Technology (AT) Series*

The Industry's Smartest Induced Draft, Counterflow Cooling Towers



*Mark owned by the Cooling Technology Institute



Get to Know EVAPCO

- The global innovator in heat transfer solutions
- Serving the commercial HVAC, Industrial Refrigeration, Power Generation, and Industrial Processing markets
- Founded in 1976
- Employee-owned
- 22 manufacturing facilities in 10 countries
- More than 170 sales offices worldwide

Learn More Now

Visit evapco.com to download product catalogs, view complete product specifications, and more.

EVAPCO is more than a name.

It's a pledge to make everyday life easier, more comfortable, more reliable, and more sustainable for people everywhere. How do we fulfill on that promise? It's simple.

We never stop innovating.

At EVAPCO, we don't just talk about innovation, it's ingrained in our workflow. Guided by our annually developed R&D plans, we set out to find groundbreaking solutions that transform the way the world works for the better. It's why we have more than 28 patents worldwide in the last 10 years alone.

We craft exceptionally built solutions.

As an employee-owned company, we take pride in our work. We are proud to be one of the most experienced teams of engineers and craftsmen in the industry. This translates into solutions that are always exceptionally built. EVAPCO has an unwavering commitment to provide "best in class" heat transfer solutions and services.

We guarantee performance.

Every EVAPCO solution is put through rigorous research and testing to ensure maximum efficiency and reliability. But we don't stop there. EVAPCO is an industry leader in independent, third-party performance certifications. These certifications guarantee our performance metrics—so that you can plan your projects with complete peace of mind.

We protect the environment.

Innovation and environmental sustainability go hand-in-hand at EVAPCO. Our industrial heat transfer equipment not only conserves natural resources and helps reduce noise pollution, but also feature recycled steel content in construction. EVAPCO's stainless steel units are constructed of panels that contain up to 75% of recycled content, and our galvanized units contain over 80%. From sound reduction to water conservation to chemical elimination, we are continuously developing new technologies that deliver the ultimate operating advantages to our clients—while protecting the planet for every generation to come.



The Advanced Technology Series: The Industry's Smartest Cooling Towers

Crafted from decades of engineering know-how, the Advanced Technology (AT) cooling tower series from EVAPCO features state-of-the-art induced draft, counterflow technology to deliver superior operating advantages in any climate. From performance to maintenance, they simply work smarter.

3 Advanced Technology Options. More Possibilities.

Available in multiple footprints and a capacity range of 33 to 5,141 nominal tons (144 to 22,596 kW).

See page 24 for model-by-model dimensions.



AT The original compact, low-horsepower, induced draft, axial fan solution for all outdoor applications.

UT All of the benefits of the AT design, built with EVAPCO's Super-Low-Sound Fan for sound-sensitive applications. See page 18 to learn more.

USS All-stainless-steel AT construction for maximum corrosion resistance, ideal for coastal and other corrosive environments. See page 19 to learn more.

Principle of Operation

Warm water from the heat source is pumped to the water distribution system at the top of the tower. The water is distributed over the wet deck fill by means of large opening EvapJet™ nozzles. Simultaneously, air is drawn in through the air inlet louvers at the base of the tower and travels upward through the wet deck fill opposite the water flow. A small portion of the water is evaporated which removes the heat from the remaining water. The warm moist air is drawn to the top of the cooling tower by the fan and discharged to the atmosphere. The cooled water drains to the basin at the bottom of the tower and is returned to the heat source.

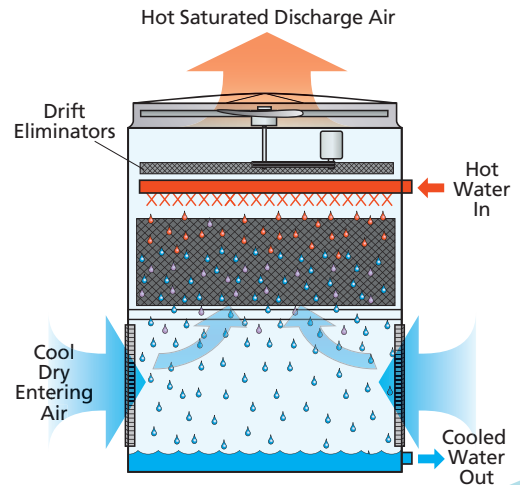


Table of Contents

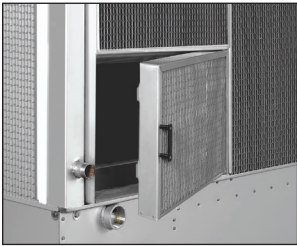
The Advanced Technology Tower at a Glance	3
Series Design Features	4
Power-Band Belt Drive System	9
Easy Maintenance Basin	10
Optional Equipment	11
Ultra-Quiet (UT) Model	18
Ultra Stainless Steel (USS) Model	19
Additional Resources: Specifying Sound Performance	20
EVAPCO Technical Support	22
Engineering Data & Dimensions	23

The Advanced Technology Series at a Glance



Totally Enclosed Fan Motors

- Motors positioned to be easily accessible and serviceable
- Assures long life
- Energy efficient/inverter capable motors supplied as standard
- Optional space heaters available to eliminate condensation while idle
- Covered under standard 5-year motor and drive warranty



Louver Access Door

- Hinged access panel with quick release mechanism
- Allows easy access to perform routine maintenance and inspection of the makeup assembly, strainer screen, and basin
- Standard on models with louvers 5 feet and taller



WST Air Inlet Louvers (Water and Sight Tight)

- Easily removable for access
- Framed in same material as tower basin
- Improved design to keep sunlight out—preventing biological growth
- Keeps water in while keeping dirt and debris out

EVAPCO POWER-BAND Drive System

- Easy-maintenance, heavy-duty drive system
- Standard heavy-duty pillow-block bearings with a minimum L10 life of 100,000 hours
- Extended lube lines
- External motor/belt adjustment
- Solid-back multi-groove belts and totally enclosed motors are standard



*International Building Code

**Office of Statewide Health Planning and Development

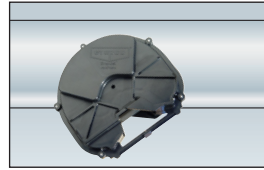
***Mark owned by the Cooling Technology Institute

IBC* Compliant & OSHPD** Designs

- All standard models meet IBC requirements
- Upgraded designs for high seismic and wind load areas
- Upgraded designs can also be used for projects requiring OSHPD approval

Optional Motor Davit & Working Platform

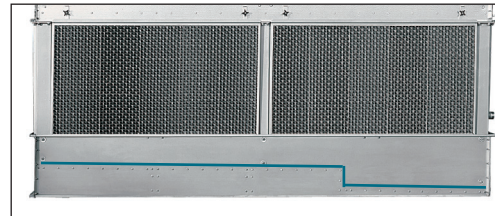
- Motor davit and bracket option for easy motor and fan removal
- Also available for gearbox removal
- Platform and ladder arrangement available as an option
- Provides a robust self-supporting working surface for the service mechanic



EvapJet™ nozzle

Water Distribution System

- EvapJet™ nozzles provide thermal performance gain
- Non-corrosive PVC construction
- Large orifice nozzles prevent clogging and are threaded for easy removal and positive positioning
- Each nozzle provides a large uniform spray pattern



Clean Pan Sloped Basin Design

- Designed to completely drain the cold water basin
- Helps prevent buildup of sediment and biological film
- Eliminates standing water after drain down (See details of design on page 10)



The EVAPCO Performance Guarantee CTI Certified | ASHRAE 90.1 Compliant

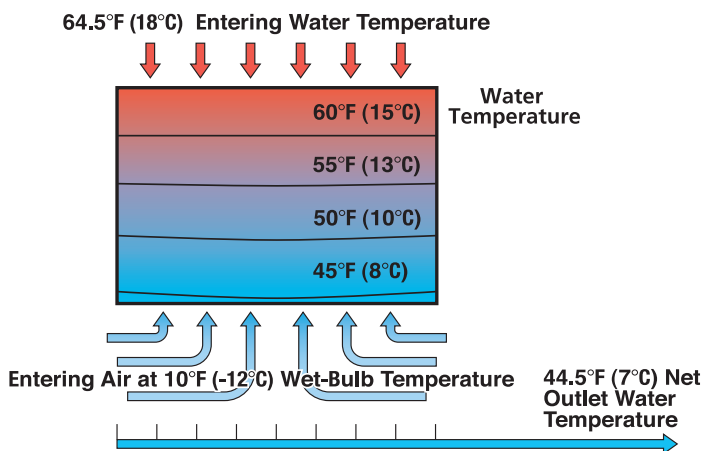
Every Advanced Technology product is rigorously thermal performance tested by EVAPCO and then independently certified by the Cooling Technology Institute (CTI) so you know you are getting an energy efficient solution that is guaranteed to get the job done.

Innovative Design Features

With EVAPCO, you get a partner you can count on to keep you at the cutting edge of your field. That is because we build innovation into every HVAC solution that we deliver to you. Here are just some of the game-changing features you will find in the Advanced Technology cooling tower series.

Optimum Design for Freezing Climates

The Advanced Technology cooling tower series features a totally encased wet-deck fill which inhibits direct exposure to the elements, as well as a bonded-block structure with bottom supports to provide additional support should ice form. On top of that, the counterflow design's even-temperature gradient ensures all water is cooled to the same temperature. Together, these smarter design elements make the Advanced Technology series the ideal solution for severe climates.



EVAPAK® Fill

EVAPAK® fill is specially designed to induce a highly turbulent mix of air and water for superior heat transfer. Special drainage tips allow high water loadings without excessive pressure drops.

EVAPAK is constructed of inert polyvinyl chloride (PVC), so it will not rot or decay. It can also withstand water temperatures of 130° F/55° C. (An option for higher water temperatures is also available. Consult your EVAPCO representative to learn more.)

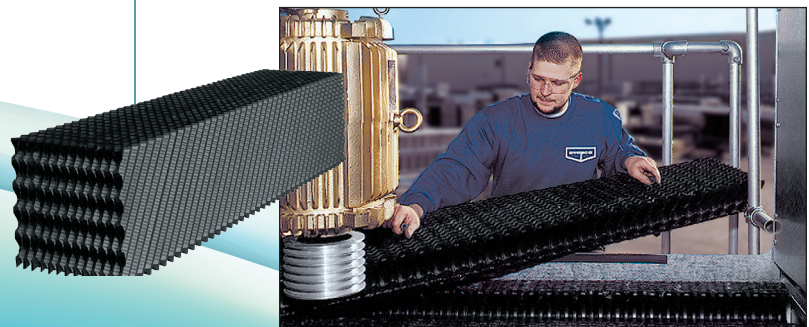
The bottom support of the fill section, combined with the unique way in which EVAPAK's cross-fluted sheets are bonded together, greatly enhances the fill's structural integrity, making it usable as a working platform for internal access to the fan and drive system.

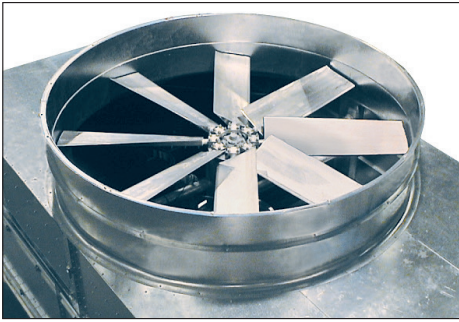
EVAPAK is also self-extinguishing with a flame spread rating of 5 per ASTM-E84-81a.

High-Efficiency Drift Eliminators

EVAPCO's extremely efficient drift eliminator system removes entrained water droplets from the air stream, limiting the drift rate to less than 0.001% of the recirculating water rate in most instances. This saves valuable water and enables you to place your cooling tower in areas where minimum water carryover is critical, such as parking lots.

The drift eliminators are constructed of inert PVC, which effectively eliminates corrosion of these vital components. They are assembled in sections to facilitate easy removal for inspection of the water distribution system.





Smooth Flow Fans

Smooth flow axial propeller fans come standard on all Advanced Technology series cooling towers. Fan construction is dependent on unit size:

- 4-foot-wide: Fiberglass-reinforced polypropylene wide chord blades with die-cast aluminum hub
- Over 4 feet: 100% aluminum alloy

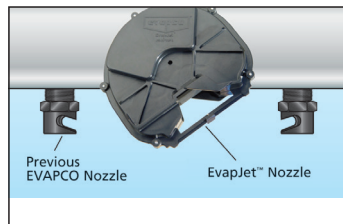
All fans are statically and dynamically balanced and installed in a closely fitted cowl with venturi air inlet for maximum efficiency. Fan screens are constructed of galvanized steel or optional type 304 stainless steel, and have steel frames bolted to the fan cowl.

Low sound and super low sound fan options are also available. See page 16 to learn more.

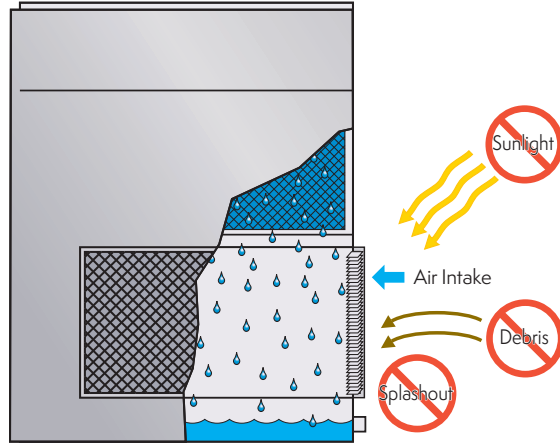
Pressurized Water Distribution System

The Advanced Technology series' water distribution system is made of schedule 40 PVC pipe and EvapJet™ ABS plastic water nozzles for maximum corrosion protection. The piping is easily removable for cleaning. The water nozzles have a 1-inch diameter (25 mm) opening to help eliminate costly clogging.

The spray pressure for all Advanced Technology series cooling towers is between 1 and 6 psig (7 and 41 kPa) at the inlet header. (Actual spray pressure will be provided on the submittal prepared for your unit.)



EvapJet™ nozzle compared to previous EVAPCO nozzles



Superior Air Inlet Louver Screen Design

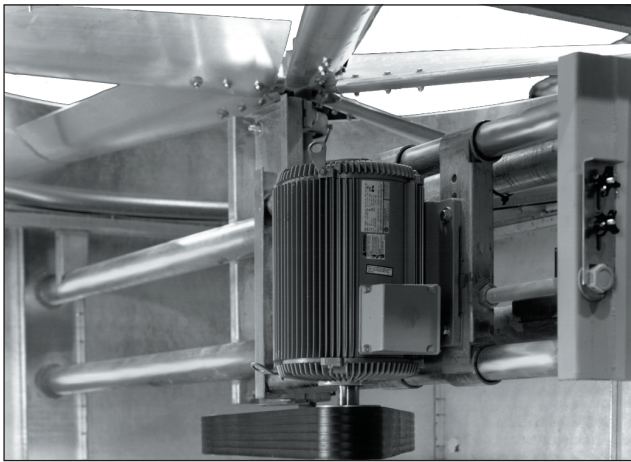
EVAPCO's water and sight tight (WST) inlet louver screens keep water in and sunlight out of your Advanced Technology series cooling tower. The unique, non-planar design is made from lightweight, framed PVC sections which have no loose hardware, enabling easy unit access. The louver's air channels are optimized to maintain fluid dynamic and thermodynamic efficiency and block all line-of-sight paths into the basin, eliminating splash-out even when the fans are off. And because all sunlight is blocked, algae growth is minimized. The end result: reduced maintenance hours, water consumption, and water treatment costs.

The Power-Band Belt Drive System

At the heart of every Advanced Technology series cooling tower is EVAPCO's Power-Band Belt Drive System. Tough enough to handle the most heavy-duty cooling tower applications, it's also the easiest drive system to maintain in the industry.

Fan Motors

Power-Band uses premium efficiency, inverter capable, totally enclosed fan motors that are designed specifically for cooling tower applications. A broad range of additional motors, including multi-speed motors, space heaters, thermistors, and shaft grounding rings, are also available to meet your specific needs.



Belt Drive

Specifically designed for cooling tower service, the Power-Band drive is a solid-back multi-groove belt system with high lateral rigidity. The belt is constructed of neoprene with polyester cords, and sized for 150% of the motor nameplate horsepower to ensure long, trouble-free operation.

Drive System Sheaves

Power-Band's drive system sheaves are constructed of aluminum alloy for durability inside the cooling tower's warm, moist atmosphere. Models with totally enclosed fan cooled (TEFC) motors have a steel motor sheave protected by a hinged cover.

Fan Shaft Bearings

Rated for a minimum L10 life of 100,000 hours, Power-Band's fan shaft bearings are the cooling tower industry's most heavy-duty pillow-block bearings. That means longer operating life and less risk of costly downtime.



5-Year Motor and Drive Warranty

All Power-Band belt drives and optional gear drives come with EVAPCO's unique 5-year motor and drive warranty. The comprehensive plan covers fans, fan shaft, belts, sheaves, fan bearings, gear box, flexible coupling, driveshaft, and motors to give you total protection.

The Industry's Easiest Drive System Maintenance

With Power-Band, all periodic maintenance can be safely performed from the side of your Advanced Technology series cooling tower. No standing inside the cold water basin—and no need for fan deck handrails or safety cages.

Standard Towers (8.5 Feet Wide or Less)

The totally enclosed fan cooled (TEFC) motor is mounted on the outside and protected from the weather by a hinged cover that swings away for maintenance. A large, hinged access door is located on the side of the unit for easy access to the fan drive system. The belt can be adjusted by tightening the j-bolts on the motor base, and tension can be checked easily through the access door. The bearing lubrication lines have been extended to the exterior casing and are located by the access door, thus making bearing lubrication easy. Sloped maintenance ladders and working platforms are available to make maintenance even easier. See page 11 for details.



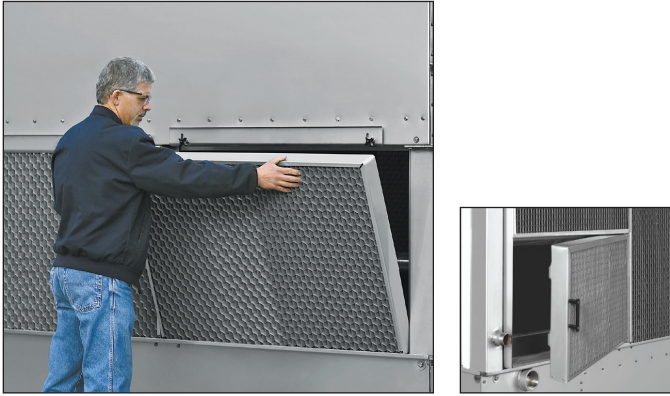
Large Towers (Over 8.5 Feet Wide)

The totally enclosed air over (TEAO) motor is located inside the fan casing and mounted on a unique, heavy-duty adjustable motor base that is designed to swing completely to the outside of the unit through a large, hinged access door (14 square feet/1.3 square meters). The belt can be easily adjusted from outside the unit via an all-thread that runs through the motor base, or via the motor base's unique locking mechanism if a wrench is not available. Bearing lubrication fittings are extended to the side of the unit inside the access door to allow for easy application of the bearing lubricant. To facilitate motor removal, an optional motor davit is available. See page 11 for details.



Worry Free Maintenance Basin Design

The cold water basin is the most important area of a cooling tower to maintain. Dirt and debris naturally collect there as a result of the evaporation process and must be cleaned out on a regular basis. The basin section of every Advanced Technology series cooling tower is designed to allow quick and easy access—promoting routine maintenance of the cold water basin.



Easy Access

The cold water basin section is easily accessible from ground level by simply lifting out the lightweight louver. The basin can be accessed from all four sides of the cooling tower, and the bottom of the fill section is a minimum of 4 feet (1.2 m) above the basin floor. This open design enables the basin to be easily cleaned. *Note: 4-foot-wide models are accessible on only two sides.*

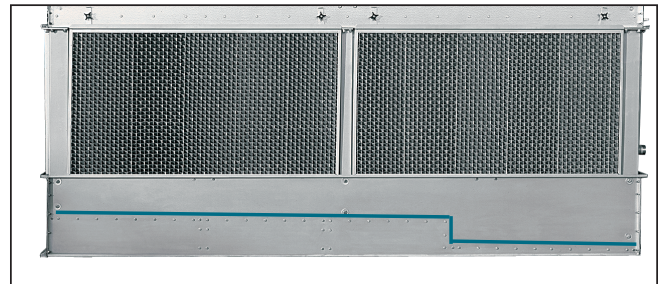
Louver Access Door

To aid in basin maintenance, most Advanced Technology models can be equipped with an optional louver access door. This allows easy access to perform routine maintenance and inspection of the makeup assembly, strainer screen, and basin without removing an entire inlet louver. *Note: This feature is standard on models with louvers 5 feet and taller and optional on models with 4-foot-tall louvers.*



Stainless Steel Strainers

For most cooling towers, the strainer is subject to excessive wear and corrosion. EVAPCO's cooling tower strainers are constructed with stainless steel—a long-standing EVAPCO standard—ensuring that yours will last the life of your cooling tower.



Clean Pan Design

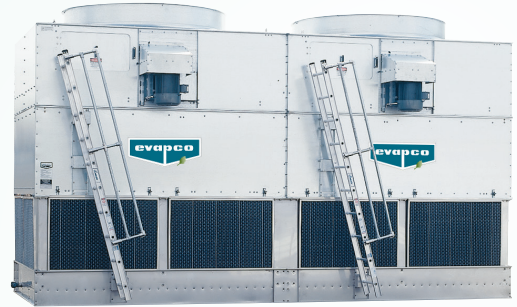
The Advanced Technology series also features a completely sloped basin from the upper to lower pan section. This “clean pan” design allows the water to be completely drained from the basin. The cooling tower water will drain from the upper section to the depressed lower pan section where the dirt and debris can be easily flushed out through the drain. This design helps prevent buildup of sedimentary deposits and biological films, and minimizes standing water. *Note: On 4-foot-wide units, the pan is sloped without the step.*

Optional Equipment

The standard design of the EVAPCO Advanced Technology series makes it the easiest cooling tower to maintain in the industry. Take your tower to the next level with a host of options that can make maintenance even easier and extend the life of your cooling tower even longer.

Sloped Maintenance Ladders

Designed by EVAPCO and OSHA-compliant, this sloped “ships type” ladder enables visual inspection of the water distribution system and drive components. What’s more, all standard drive system maintenance can be performed from the ladder. A handrail is attached to the sloped ladder for safe and easy ascent and descent—no need for safety cages. *Note: Available on all models wider than 4 feet. A vertical ladder is available for smaller models. Ladder ships loose and must be field mounted.*



Working Platform & Ladder with Davit

Make it easy to service the fan motor and water distribution system with this heavy-duty, self-supporting working platform and standard ladder. A less expensive alternative to field erected catwalks, the system is OSHA compliant and ships in sections for easy installation. *Note: The working platform is not available on 4-foot-wide models.*

Plus! Eliminate crane rentals with an optional davit that facilitates the easy removal of motors, gear drives, and fans. The davit is constructed of aluminum and is mounted on the side of the unit with a galvanized steel bracket. *Note: Davit ships loose and is installed in the field.*



Stainless Steel Basin

The basin provides the structural support for the unit and is the most important part of your cooling tower. Maximize its protection against corrosion with EVAPCO’s optional stainless steel water touch basin, which uses Type 304 or Type 316 stainless steel for the entire basin area, including the support columns and plenum of the cooling tower and the louver frames.



Basin Level Platform & Ladder

Available on select above-ground cooling tower models, the basin level platform and ladder facilitates easy basin inspections and maintenance, including float assembly adjustment and basin/suction strainer cleaning. The platform and ladder ship in modules for easy installation. *Note: Ladder requires field support.*

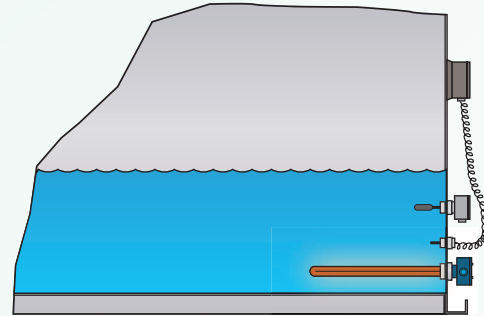


Optional Equipment: Electric Basin Heaters

Electric immersion heaters can be added to the basin of your Advanced Technology series cooling tower. They are sized to maintain a +40° F (4.5° C) pan water temperature with the fans and system pumps off. A thermostat and low-water protection device cycle the heater on when required and prevent the heater elements from energizing unless they are completely submerged. All components are protected by rugged, weatherproof enclosures for outdoor use.

AT/UT/USS Heater Sizes *

	Box Size	0°F kW	-20°F kW	-40°F kW
1-CELL	4 x 4	2	3	4
	4 x 6	3	4	5
	4 x 9	4	5	7
	4 x 12	5	7	9
	8.5 x 6	5	7	9
	8.5 x 8	6	8	12
	8.5 x 9	7	10	15
	8.5 x 11	8	12	15
	8.5 x 12	(2) 4	(2) 7	(2) 9
	8.5 x 14	(2) 5	(2) 7	(2) 10
	10 x 12	(2) 5	(2) 8	(2) 10
	10 x 18	(2) 7	(2) 12	(2) 15
	12 x 12	(2) 6	(2) 9	(2) 12
	12 x 14	(2) 7	(2) 10	(2) 15
	12 x 18	(2) 9	(2) 15	(2) 18
	12 x 20	(2) 10	(2) 15	(3) 15
2-CELL	14 x 24	(2) 16	(3) 16	(3) 20
	14 x 26	(2) 16	(3) 16	(3) 20
	6 x 17	(2) 5	(2) 7	(2) 9
	8 x 17	(2) 6	(2) 8	(2) 12
	8.5 x 18	(2) 6	(2) 9	(2) 12
	8.5 x 21	(2) 7	(2) 12	(2) 15
	8.5 x 24	(4) 4	(4) 7	(4) 9
	8.5 x 28	(4) 5	(4) 7	(4) 10
	10 x 24	(4) 5	(4) 8	(4) 10
	10 x 36	(4) 7	(4) 12	(4) 15
	12 x 9	(2) 5	(2) 7	(2) 9
	12 x 24	(4) 6	(4) 9	(4) 12
	12 x 28	(4) 7	(4) 10	(4) 15
	12 x 36	(4) 9	(4) 15	(4) 18
	12 x 40	(4) 10	(4) 15	(4) 20
	14 x 48	(4) 16	**	**
	14 x 52	(4) 16	**	**
	15 x 9	(2) 6	(2) 8	(2) 12
	17 x 9	(2) 7	(2) 10	(2) 15
	17 x 11	(2) 8	(2) 12	(2) 15
	17 x 12	(4) 4	(4) 7	(4) 9
	17 x 14	(4) 5	(4) 7	(4) 10
	20 x 12	(4) 5	(4) 8	(4) 10
	20 x 18	(4) 7	(4) 12	(4) 15
24 x 18	(4) 9	(4) 15	(4) 18	
24 x 20	(4) 10	(4) 15	(4) 20	
28 x 24	(4) 16	**	**	
28 x 26	(4) 16	**	**	



Note: Heater control packages that include contactor, transformer or disconnects are also available; speak to your local EVAPCO representative to learn more about these options.

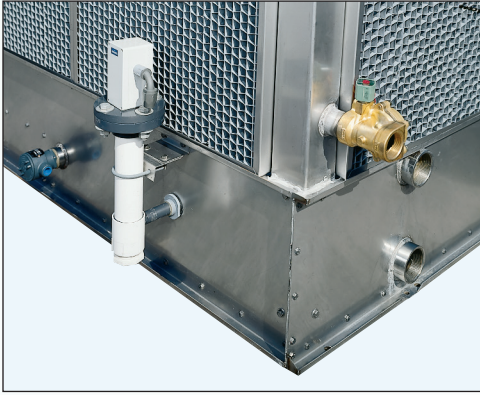
AT/UT/USS Heater Sizes *

	Box Size	0°F kW	-20°F kW	-40°F kW
3-CELL	9 x 36	(6) 4	(6) 7	(6) 9
	9 x 42	(6) 5	(6) 7	(6) 10
	10 x 36	(6) 5	(6) 8	(6) 10
	12 x 36	(6) 6	(6) 9	(6) 12
	12 x 42	(6) 7	(6) 10	(6) 15
	12 x 54	(6) 9	(6) 15	(6) 18
4-CELL	12 x 60	(6) 10	(6) 15	(9) 15
	14 x 72	(6) 16	**	**
	14 x 78	(6) 16	**	**
4-CELL	42 x 26	(6) 16	**	**
	24 x 24	(4) 12	(4) 18	(6) 15
	24 x 28	(4) 15	(4) 20	(6) 18
	24 x 36	(4) 18	(6) 18	(8) 18
	24 x 40	(4) 20	(6) 20	(8) 20
	28 x 48	(8) 16	**	**
	28 x 52	(8) 16	**	**
56 x 26	(8) 16	**	**	

* Electric heater selection based on ambient air temperature shown.

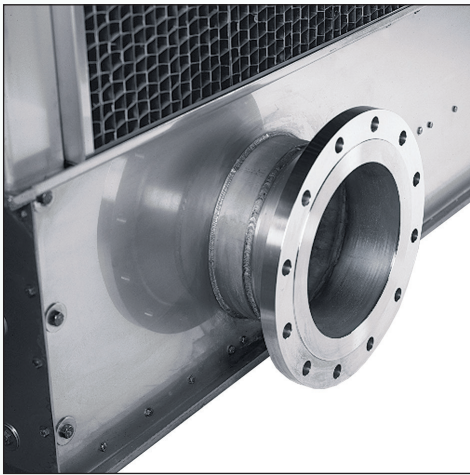
** Consult factory

Optional Equipment



Electronic Water Level Control (EWLC)

Designed by and manufactured exclusively for EVAPCO, the electronic water level control system provides precision control for the basin water level and eliminates the need for field adjustment, even under varying operating conditions. The system uses heavy-duty stainless steel electrodes, which are mounted outside the unit in a vertical stand pipe that acts as a stilling chamber. (For winter operation, the stand pipe must be wrapped with electric heating cable and insulated to protect it from freezing.) Three-probe and five-probe packages are available. The five-probe package provides high and low-level alarms. The weather-protected, slow-closing solenoid valve for the makeup water connection is factory supplied and ready for piping to a water supply with a pressure between 5 and 125 psig (34 and 862 kPa).



Flanged Connection

Even More Options

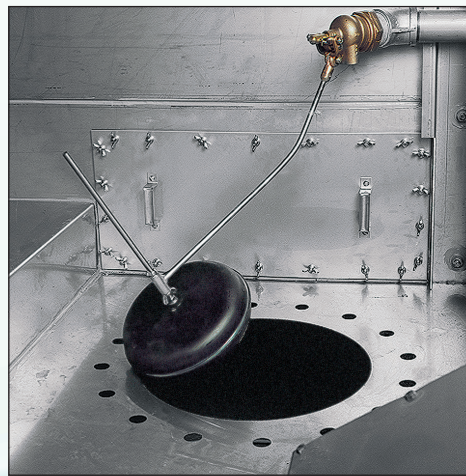
Ask your EVAPCO representative about:

- Vibration switches
- Sump sweeper piping
- FM approval
- Bottom inlet and bottom suction connections
- Remote sump connections (see page 85 for more information)
- Materials for higher temperature applications
- TITAN PAK stainless steel fill
- WIDE-PAK fill for dirty water applications where TSS* is less than 100 PPM**
- VERTICLEAN fill for dirty water applications where TSS* is between 75 and 500 PPM

* TSS - Total Suspended Solids ** PPM - Parts Per Million



**Bypass Connection with
Diffuser Hood**



Equalizer and Flume Plate

Optional Equipment: **Water Treatment Systems**

EVAPCO has dramatically changed the water treatment game with the introduction of Pulse~Pure® and Smart Shield®. Available as a complete water treatment system for open evaporative cooling applications and coil products. Water treatment has never been easier or more dependable.



Pulse~Pure® Non-Chemical Water Treatment System

Pulse~Pure® from EVAPCO uses pulsed electric field technology to treat your water without chemicals. It is the environmentally responsible solution that also packs a powerful water-treating punch:

- Emits short, high frequency bursts of low energy electromagnetic fields to recirculating water
- Forms seed crystals to attract and destroy scale-causing precipitants and bacteria
- Delivers a guaranteed maximum bacterial count of 10,000 CFU*/ml in the cooling water—well below most chemical water treatment solutions
- Operates in an alkaline environment, allowing calcium carbonate to act as a natural cathodic corrosion inhibitor, and yielding corrosion rates equivalent to most chemical alternatives
- Operates at higher cycles of concentration to save water
- Compact design eliminates moving parts and ensures low energy consumption

* Colony Forming Units



Learn more about *Pulse~Pure®*
at evapco.com



Front

Optional Equipment: Water Treatment Systems

Warranty & Service Included

Each EVAPCO water treatment system is warranted by EVAPCO and comes standard with a one-year performance monitoring and service program provided by a factory-trained EVAPCO representative.

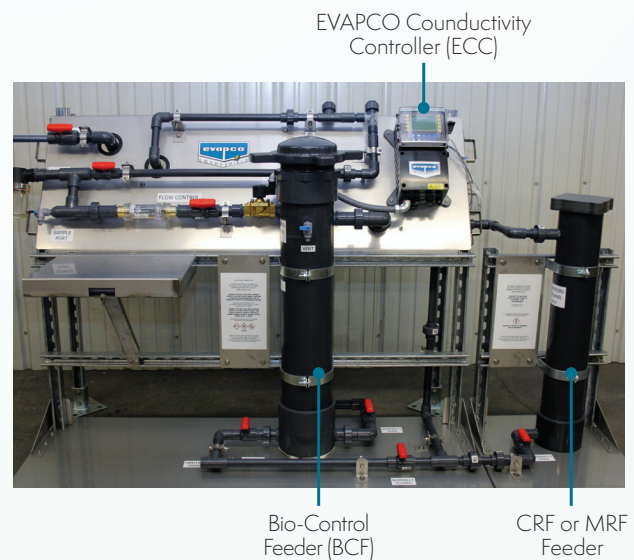
Smart Shield® Solid Chemical Water Treatment System

Proven solid chemistry. A revolutionary feed system. Together, these make Smart Shield®, the easiest and safest chemical water treatment system available today, featuring:

- A solid chemistry design that eliminates liquid chemical hazards — including spills — and the need for expensive feed pumps
- Reduced packaging, shipping and handling for lower costs and a lower carbon footprint than liquid chemicals

Smart Shield® is available in two unique systems to protect a broad range of evaporative cooling water applications:

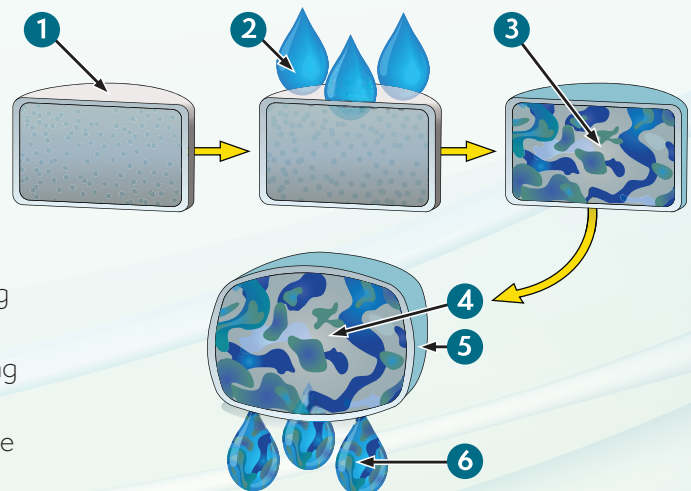
- Controlled release system (shown at right) uses scale and corrosion inhibitors utilizing polymer coated no-touch chemical replenishments for easier, safer reloads
- Monitored release systems are applicable for larger systems or those with higher inhibitor demand. Monitored release scale and corrosion inhibitors utilize uncoated tablets and a direct detect probe for precise control of active ingredients



Watch a short product video at evapco.com.

Inhibitor Operation

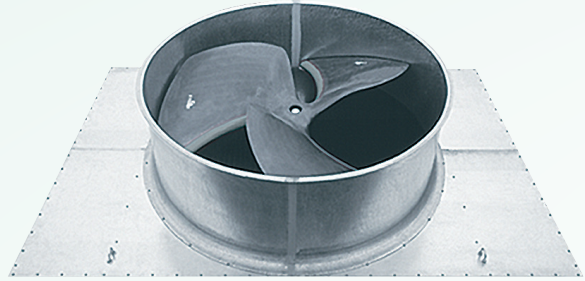
1. Polymer coated inhibitor tablet
2. Recirculated water permeates the polymer coating
3. Solid chemistry becomes a slurry inside the tablet
4. Osmotic pressure causes the tablet to swell, forcing the chemistry out through the polymer coating
5. Polymer coating controls the treatment release rate
6. Treated water returns to the basin



Optional Equipment: **Low Sound Solutions**

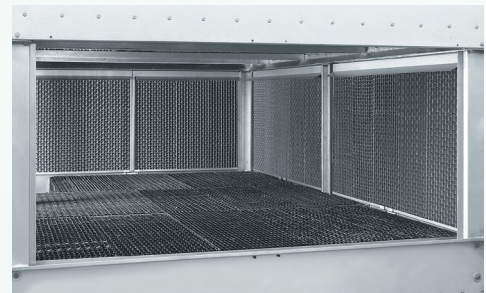
Super Low Sound Fan – 9-15 dB(A) Reduction

When you are tasked with achieving the lowest sound levels possible, there is only one choice: the EVAPCO super low sound fan, the quietest, most noise efficient fan in the industry—capable of reducing sound pressure level by 9 to 15 dB(A)! The super low sound fan comes standard with all UT models in the Advanced Technology series. See page 18 for more information. *Note: Not available on 4-foot-wide models.*



Water Silencer – Reduces Water Noise up to 7 dB(A)

Located in the cold water basin, EVAPCO's water silencers reduce the high frequency noise associated with falling water and are capable of lowering overall sound levels 4 to 7 dB(A) when measured at 5 feet from the side or end of the unit. When water is circulated with fans off, the results are even greater: as much as 9 to 12 dB(A) lower at the same measured distance (depending on water loading and louver height). Constructed of lightweight PVC sections, the silencers can be easily removed for access to the basin area. It will have no impact on thermal performance and is CTI certified. *Note: Not available on 4-foot-wide models.*



Offset Sound Attenuation Walls

Add EVAPCO's CTI-certified offset sound attenuation walls to your super low sound fan and water silencer options for the ultimate sound control. Constructed of G-235 galvanized steel and lined inside with acoustical padding, the walls will typically reduce the 50-foot free-field sound level by an additional 3 dB(A). Stainless steel construction also available. Requires external support by others. *Note: Available only in combination with super low sound fan and water silencer.*



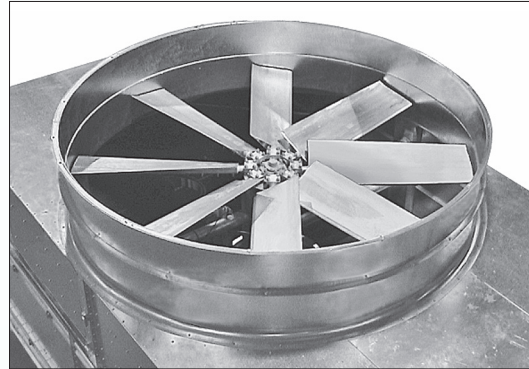
See page 20 for more information on EVAPCO's science of low sound.

Optional Equipment: Low Sound Solutions

Low Sound Fan – 4-7 dB(A) Reduction

Ideal for sound-sensitive applications, EVAPCO's low sound fan features a wide chord blade and a unique soft-connect blade-to-hub design that is compatible with variable speed drives. Since the blades are not rigidly connected to the fan hub, no vertical vibration forces are transmitted to the unit structure. This reduces sound pressure levels by 4 to 7 dB(A), depending on specific unit selection and measurement location.

The fan is a high efficiency axial propeller and is CTI certified on Advanced Technology series cooling towers. It has a thermal performance derate of 3.5%. Consult your EVAPCO representative for actual thermal performance. *Note: Available on AT and USS models only.*



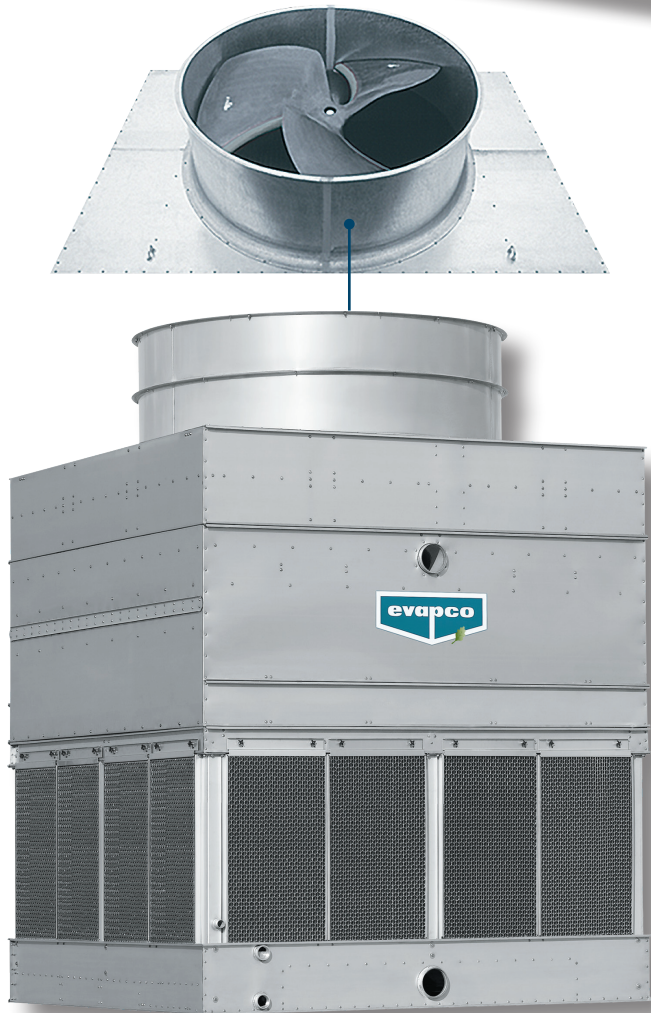
Additional Height & Operating Weight Additions

	Box Size	Height Addition for Low Sound Fan (in.)	Operating Weight Addition for Low Sound Fan (lbs.)
1-CELL	4 x 4	0	0
	4 x 6	0	0
	4 x 9	0	0
	4 x 12	0	0
	8.5 x 6	4	0
	8.5 x 8	4	0
	8.5 x 9	4	0
	8.5 x 11	4	0
	8.5 x 12	4	0
	8.5 x 14	4	0
	10 x 12	0	0
	10 x 18	0	0
	12 x 12	0	0
	12 x 14	0	0
12 x 18	7	225	
12 x 20	7	225	
14 x 24	5	450	
14 x 26	7	450	
2-CELL	6 x 17	4	0
	8 x 17	4	0
	8.5 x 18	4	0
	8.5 x 21	4	0
	8.5 x 24	4	0
	8.5 x 28	4	0
	10 x 24	0	0
	10 x 36	0	0
	12 x 9	4	0
	12 x 24	0	0
	12 x 28	0	0
	12 x 36	7	450
	12 x 40	7	450
	14 x 48	5	900
14 x 52	7	900	

	Box Size	Height Addition for Low Sound Fan (in.)	Operating Weight Addition for Low Sound Fan (lbs.)
2-CELL	15 x 9	4	0
	17 x 9	4	0
	17 x 11	4	0
	17 x 12	4	0
	17 x 14	4	0
	20 x 12	0	0
20 x 18	0	0	
3-CELL	24 x 18	7	450
	24 x 20	7	450
	28 x 24	5	900
	28 x 26	7	900
	9 x 36	4	0
	9 x 42	4	0
	10 x 36	0	0
	12 x 36	0	0
	12 x 42	0	0
	12 x 54	7	675
12 x 60	7	675	
4-CELL	14 x 72	5	1,350
	14 x 78	7	1,350
	42 x 26	7	1,350
	24 x 24	0	0
	24 x 28	0	0
	24 x 36	7	900
	24 x 40	7	900
	28 x 48	5	1,800
28 x 52	7	1,800	
56 x 26	7	1,800	

UT: Ultra-Quiet Cooling Tower

Reduces Noise Pollution by More Than 50%



Note: UT towers are only available in sizes over 4 feet wide. For additional height and operating weight additions, see the dimensional data table for each model, starting on page 24.

The Ultra-Quiet® Cooling Tower delivers all the innovative design and maintenance features of the original Advanced Technology tower, with the added power of the industry's quietest and most efficient fan: the EVAPCO super low sound fan.

Reduced Sound Levels

Made of heavy-duty reinforced polyester, the fan's ultra-wide chord blades have a forward swept design and rounded edges to minimize the sound caused by flow separation and vortex shedding. The end result is a sound pressure level that's 9 to 15 dB(A) lower—more than 50% lower—than standard fans (depending on specific unit selection and measurement location). Best of all, the super low sound fan has zero impact on thermal performance.

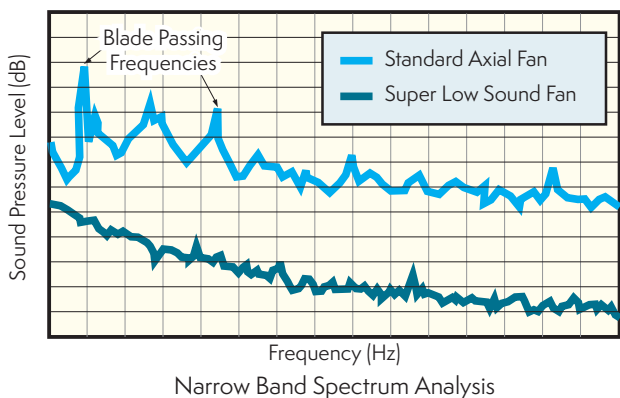
Improved Sound Quality

The super low sound fan eliminates audible blade passing frequencies typical of straight-bladed axial type fans. The narrow band spectrum graph below shows how straight-bladed axial fans produce blade-passing frequencies—the same phenomena that produce a helicopter's signature pulsating noise. The blade-passing frequencies are audible spikes in sound pressure levels, but are not apparent in the octave band sound spectrum.

More Options for Even Greater Sound Control

The Ultra-Quiet® cooling tower can be used in combination with EVAPCO's water silencers and offset sound attenuation walls to produce the lowest sound levels commercially available. See page 16 for details.

Consult EVAPCO's evapSelect® selection software for unit sound levels (see page 22). If a detailed analysis or full octave band datasheet is required for your application, please consult your EVAPCO sales representative.



CTI Certified-Standard 201

- Independently certified for guaranteed performance
- No costly field performance tests required



USS: Ultra Stainless Steel

Complete Stainless Steel Construction for Maximum Corrosion Resistance



What do you get when you combine the easy maintenance and superior operation of the Advanced Technology series with the industry's most durable construction?

The Ultra Stainless Steel (USS) cooling tower from EVAPCO—the finest factory assembled cooling tower ever offered.

Premium Components

Type 304 or 316 Stainless Steel

Cold water basin
Vertical support columns
Air inlet louver frames
Plenum

Type 304 or 316 Stainless Steel

Upper casing and structure
Mechanical equipment support
Fan cowl and fan guard

PVC

EVAPAK fill
Water distribution system
Patented air inlet louvers
Patented drift eliminators



Exclusive 5-Year Complete Product Warranty

- Covers the complete drive system, including the motor.
- Covers the complete cooling tower from the cold water basin to the fan discharge screen
- Standard on all Ultra Stainless Steel models



CTI Certified-Standard 201

- Independently certified for guaranteed performance
- No costly field performance tests required

*Mark owned by the Cooling Technology Institute

Additional Resources: Understanding & Specifying Sound

Sound

Sound is the alteration in pressure, stress, particle displacement and particle velocity, which is propagated in an elastic material. Audible sound is the sensation produced at the ear by very small pressure fluctuations in the air.

Sound Pressure

Sound pressure is the intensity of sound. Sound pressure (L_p) in decibels is the ratio of measured pressure (P) in the air to a reference sound pressure, $P_0 = 2 \times 10^{-5}$ Pascal based on the following formula:

$$L_p \text{ (dB)} = 10 \log_{10} (\Delta P^2 / \Delta P_0^2)$$

Sound pressure level is what is actually being measured when sound data is recorded. Microphones that measure sound are pressure-sensitive devices that are calibrated to convert the sound pressure waves into decibels. Similar to the intensity coming from a light bulb which gets dimmer as one gets further and further away, sound pressure decreases in decibels as your ear gets further from the sound source.

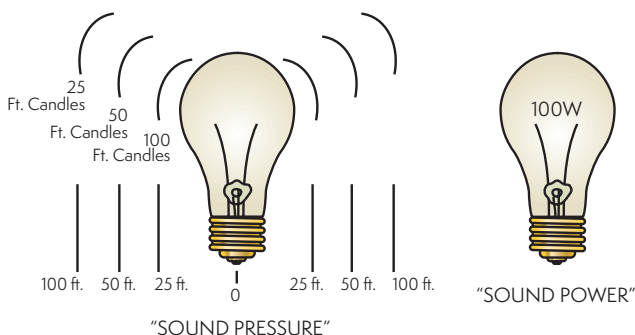
Sound Power

Sound power is the energy of sound. Sound power (L_w) in decibels is the ratio of the calculated sound power, (W) to a reference power, $W_0 = 1$ picowatt, according to the following formula:

$$L_w \text{ (dB)} = 10 \log_{10} (W / W_0)$$

Sound power level is not a measured value, but is calculated based on the measured sound pressure.

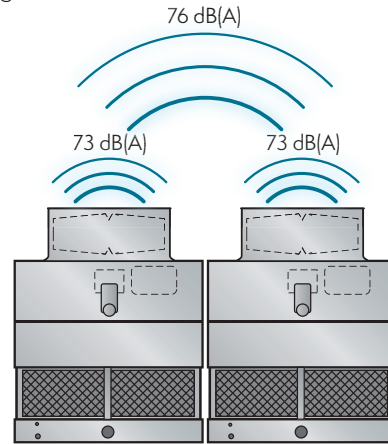
Similar to the wattage of a light bulb that does not change the farther one is away from the light bulb, sound power does not vary with distance.



Adding Multiple Sound Sources

Since the decibel is a logarithmic function, the numbers are not added linearly. Therefore, two 73 dB sound sources added together do not equal 146 dB. The resultant sound would actually be 76 dB. The following table shows how to add decibels from two sound sources.

Difference in dB Level	Add to the higher dB Level
0 to 1	3
2 to 3	2
4 to 8	1
9 or greater	0



Sound Pressure – The A-Weighted Scale

The A-weighted scale, dB(A) is a means to translate what a sound microphone measures to how the human ear perceives the sound. Use the following formula and conversions:

$$f = 8000$$

$$\text{dB(A)} = 10 \log_{10} \sum 10^{((\text{dB} + C_i) / 10)}$$

$$f = 63$$

where: C_i = correction factor per band
dB = measured sound pressure

let: $Z_i = (\text{dB} + C_i) / 10$

Band	Center Frequency (Hz)	Frequency Range (Hz)	Sample (Hz)	C_i (dB)	Z_i
1	63	44-88	68	-26.2	4.18
2	125	89-175	76	-16.1	5.99
3	250	176-350	77	-8.6	6.84
4	500	351-700	73	-3.2	6.98
5	1000	701-1400	70	0	7.00
6	2000	1401-2800	68	+1.2	6.92
7	4000	2801-5600	71	+1.0	7.20
8	8000	5601-11200	73	-1.1	7.19

Example calculation of the dB(A) formula using the sample data.

$$\text{dB(A)} = 10 \log_{10} \sum 10^{Z_i} = 10 \log_{10} (10^{4.18} + 10^{5.99} + 10^{6.84} + 10^{6.98} + 10^{7.00} + 10^{6.92} + 10^{7.20} + 10^{7.19})$$

$$= 10 \log_{10} (67114245.2) = 78.3 \text{ dB(A)}$$

Specifying Sound

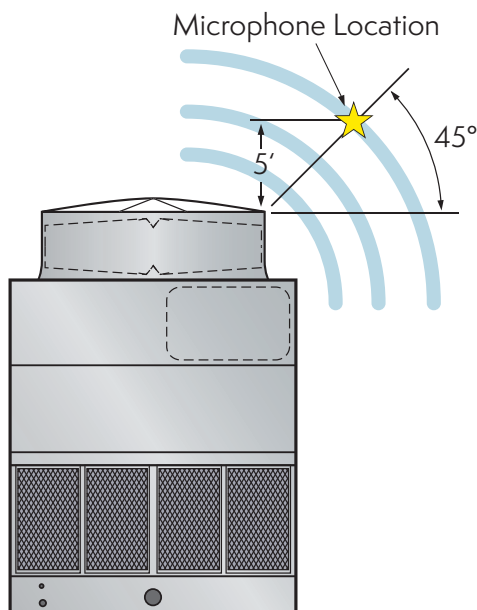
Specify sound pressure in dB(A) measured 5 feet above the fan discharge during full speed operation.

- All manufacturers can meet a performance specification with low sound options.
- Fan noise is what matters. 5 feet above the fan is where it matters.

Measurement Location

Per Cooling Technology Institute Standard ATC-128

A sound microphone should be located 5 feet above the cooling tower fan cowl edge at a 45° angle. This position assures accurate sound measurements and eliminates a source of uncertainty by taking the microphone out of the high velocity fan discharge air.

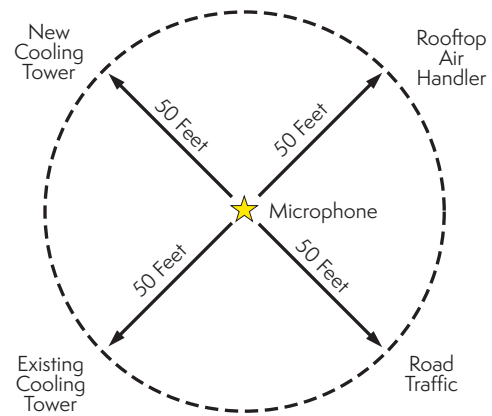


Typical Sound Pressure Levels of Well Known Noises:

Jet Airplane, 150 feet away	140 dB(A)
Circular Saw	110 dB(A)
Nightclub	100 dB(A)
Semi Truck	90 dB(A)
Sidewalk of a Busy Road	80 dB(A)
Household Vacuum, 3 feet away	70 dB(A)
Normal Conversation	60 dB(A)
Quiet Library	40 dB(A)

Notable Facts about Sound:

- +/- 1 dB(A) is inaudible to the human ear
- Decreasing a noise source by 10 dB(A) sounds half as loud to the human ear



Easy Verification

At 5 feet from the cooling tower, a sound meter records only cooling tower noise. You can easily verify the actual noise coming from the cooling tower against the specified sound data with good certainty.

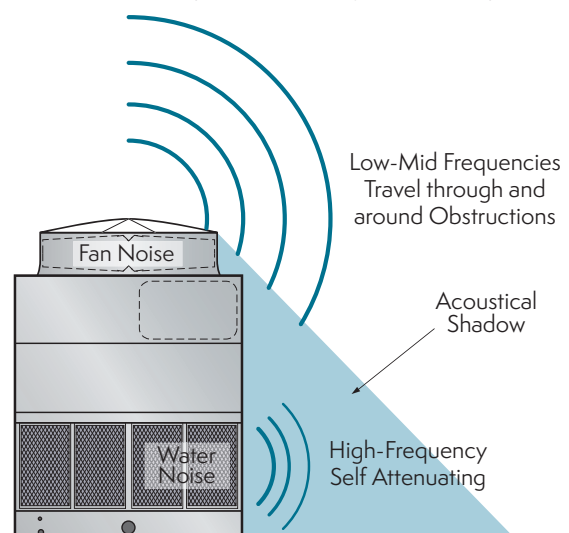
If sound were specified at 50 feet or some greater distance from the sound-sensitive location, there is increased uncertainty in the measured data due to other possible sound sources within the 50 foot radius of the sound microphone.

Sound Quality

Sound coming from the top of the cooling tower is comprised of low and mid-frequency fan noise. Low and mid-frequency fan "rumble" is very difficult to attenuate. Fan rumble travels through everything and around everything and is what is audible at any sound-sensitive location.

Sound coming from the sides of the cooling tower is comprised of high-frequency water noise, is much less objectionable than fan noise, and attenuates naturally with distance.

Sound measured at the side of a cooling tower is inside the acoustical shadow of the noise emitted from the top. Outside the acoustical shadow, the low and mid-frequency fan noise completely masks the high-frequency water noise.



EVAPCO Technical Support Services

EVAPCO Representatives

Your EVAPCO representative is the local expert you can count on to help you with all your commercial HVAC needs—from getting quotes to answering questions to helping you manage your projects and orders. To find your local representative, visit evapco.com now.

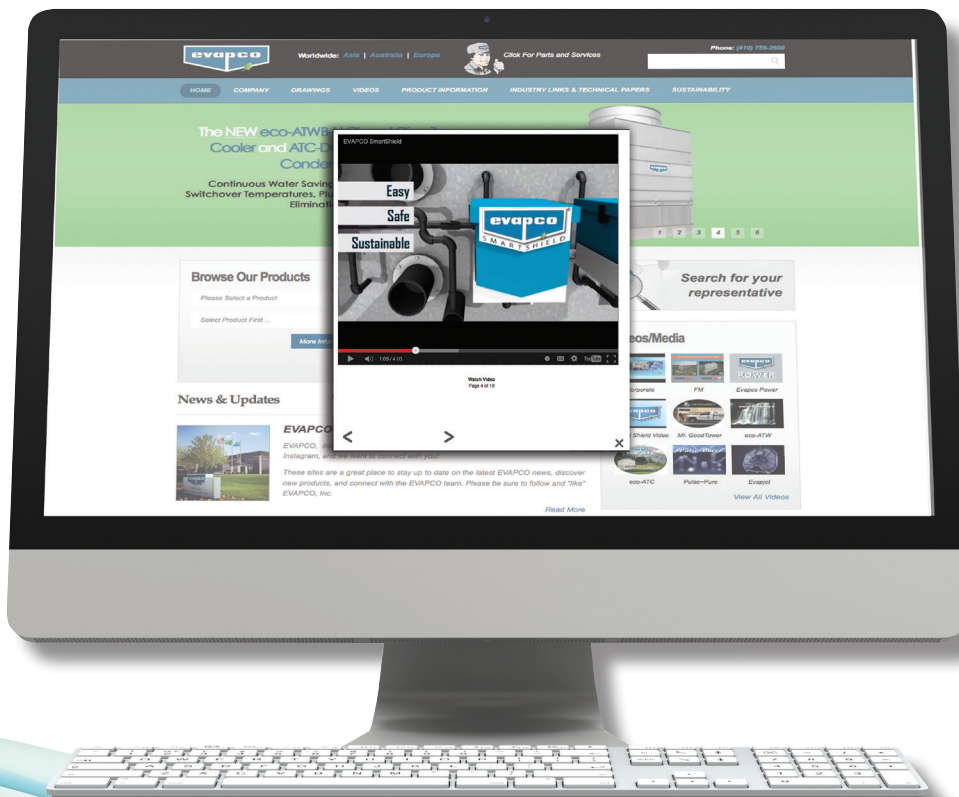
evapSelect®

evapSelect® is a computer selection program that makes it easy for you to find and optimize the right EVAPCO solutions for every project. Evaluate thermal performance, space, and energy requirements across units; analyze optional equipment features; and generate complete specifications and unit drawings—all within a friendly and familiar Windows format. Contact your EVAPCO representative to access evapSelect® now.

evapco.com

Bookmark evapco.com for the latest and most complete product information. The website contains a multitude of information and resources including:

- Unit certified drawings
- Steel support drawings
- Scaled isometric views of towers in CAD
- 3-D models of towers in Revit
- Product catalogs
- Rigging instructions
- Operation and maintenance instructions
- Videos
- Logo apparel and merchandise

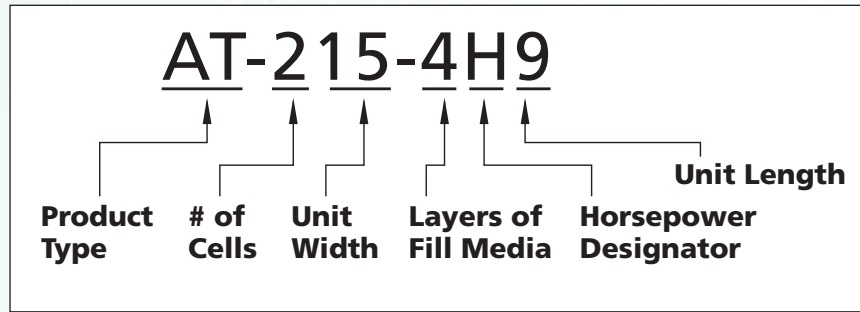


Advanced Technology Series

AT | UT | USS

Engineering Data & Dimensions

Nomenclature



Product Type

AT – Indicates an Advanced Technology (AT) tower

UT – An AT tower with a super low sound fan

USS - An AT tower with stainless steel construction, 304, 316 or a combination. A USS tower may also include a Super Low Sound Fan.

of Cells

Determined by the number of inlet connections, can be 1, 2, 3, or 4

Unit Width

The total width of the unit in feet, all cells included. The value is rounded up to the next whole number.

Layers of Fill Media

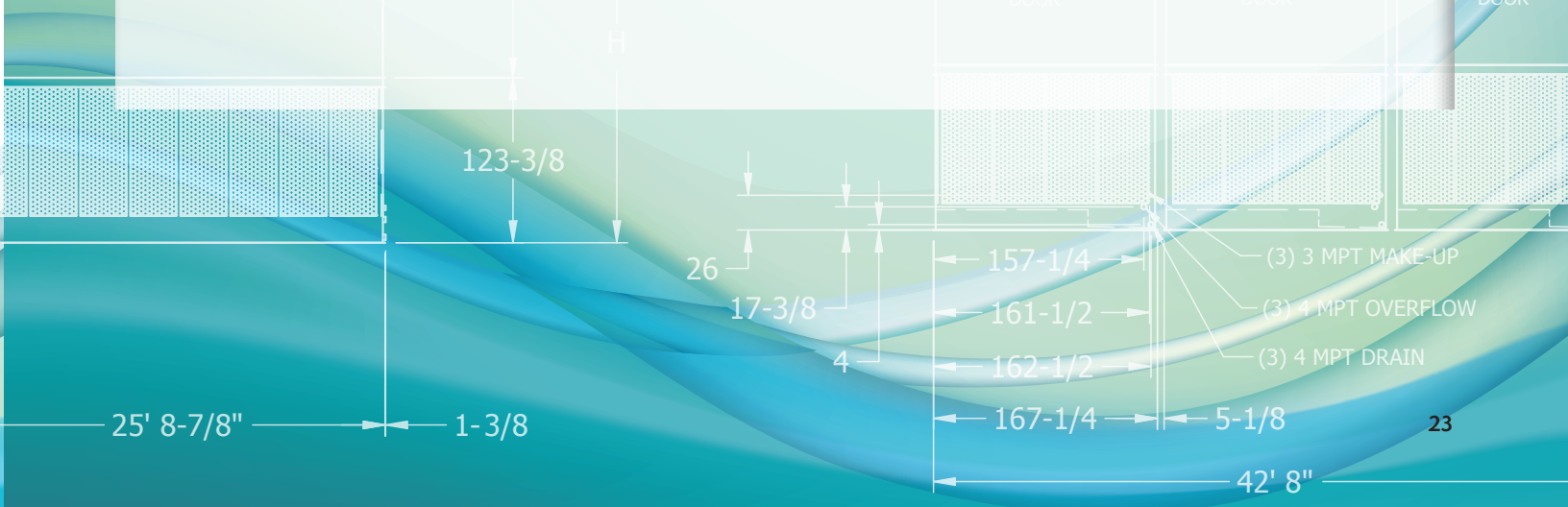
Determined by the number of 1 foot tall fill layers. Can be 2, 3, 4 or 5.

Horsepower Designator

Determined by the horsepower per fan motor. Available from E = 2 Hp to R = 100 Hp.

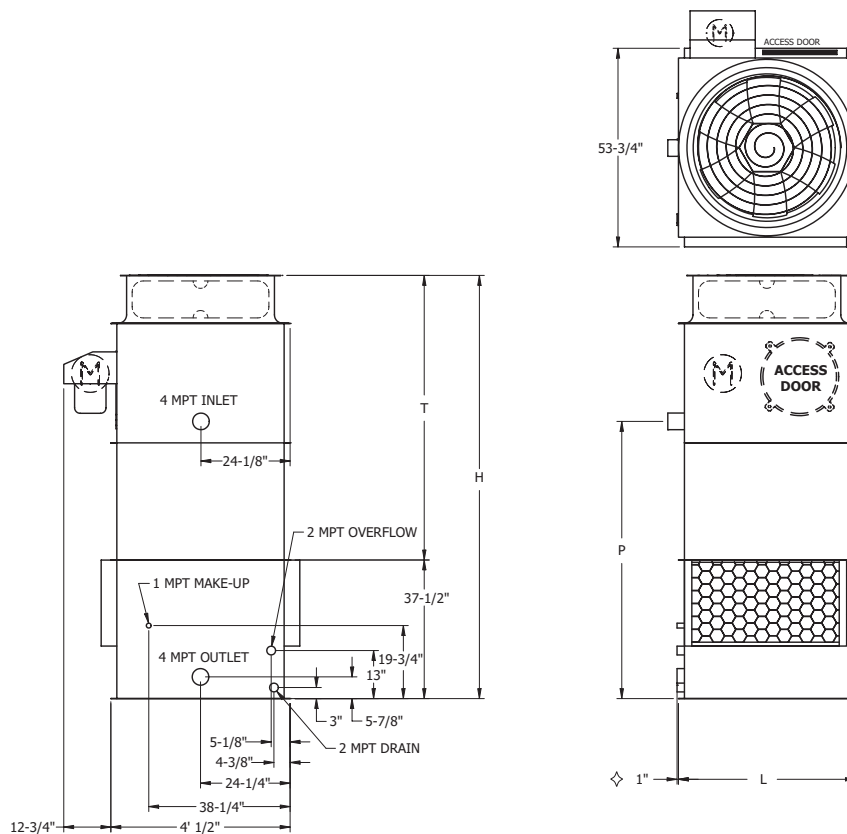
Unit Length

The total length of the unit in feet, all cells included. The value is rounded up to the next whole number.



Models: AT/USS 14-2E4 to 14-3G6

One-Cell Cooling Towers



Model No.	Nominal Tonnage	WEIGHTS (LBS)			Fan Motor (HP)	Air Flow (CFM)	DIMENSIONS			
		Shipping	Operating	Heaviest Section [†]			H [†]	T [†]	P	L
AT 14-2E4	33	1,080	1,760	730	2	9,600	9' 6-1/2"	6' 5"	6' 3"	3' 11-7/8"
AT 14-2F4	39	1,130	1,810	780	3	10,900	9' 6-1/2"	6' 5"	6' 3"	3' 11-7/8"
AT 14-3E4	37	1,160	1,840	810	2	9,500	10' 6-1/2"	7' 5"	7' 3"	3' 11-7/8"
AT 14-3F4	43	1,210	1,890	860	3	10,700	10' 6-1/2"	7' 5"	7' 3"	3' 11-7/8"
AT 14-2F6	57	1,390	2,460	950	3	15,300	9' 6-1/2"	6' 5"	6' 3"	5' 11-7/8"
AT 14-2G6	67	1,410	2,480	970	5	18,000	9' 6-1/2"	6' 5"	6' 3"	5' 11-7/8"
AT 14-3F6	64	1,490	2,560	1,050	3	15,100	10' 6-1/2"	7' 5"	7' 3"	5' 11-7/8"
AT 14-3G6	74	1,510	2,580	1,070	5	17,700	10' 6-1/2"	7' 5"	7' 3"	5' 11-7/8"

- NOTE: (1) An adequately sized bleed line must be installed in the cooling tower system to prevent build-up of impurities in the recirculated water.
 (2) Do not use catalog drawings for certified prints. Dimensions and weights are subject to change.
 (3) Adequate spacing must be allowed for access to the cooling tower. Refer to EVAPCO's Equipment Layout Manual.
 (4) Nominal Tonnage is based on 3 gpm per ton at 95 degree entering water temperature, 85 degree leaving water temperature, and 78 degree wet-bulb temperature.

◇ Outlet connection extends beyond bottom flange.
 † Height includes fan guard which ships factory mounted.

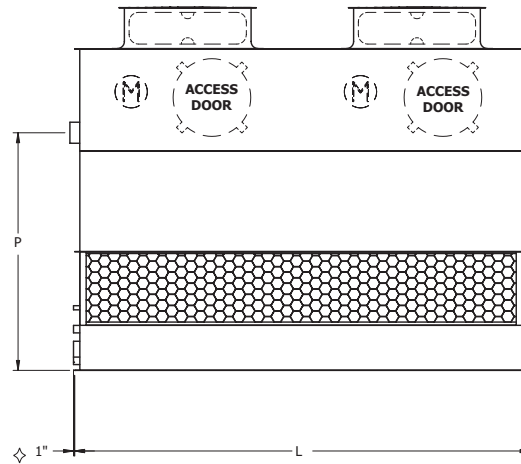
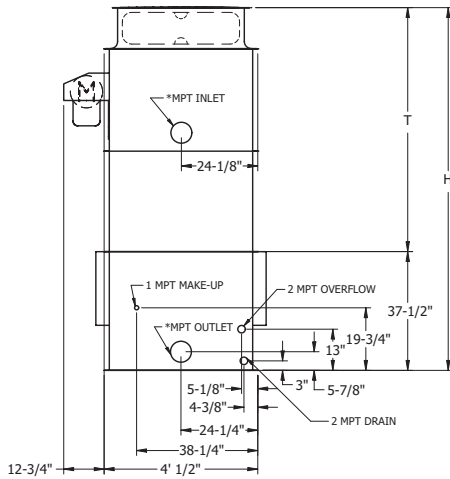
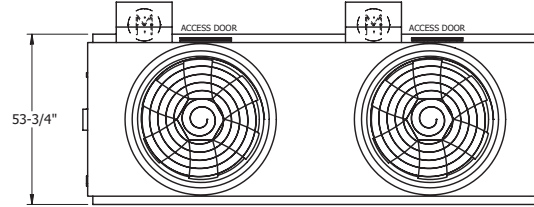
◆ Heaviest section is upper section.

Models: AT/USS 14-2E9 to 14-3G12

One-Cell Cooling Towers

*14-2E9 to 14-3F9
(1) 4" Inlet
(1) 4" Outlet

*14-2F12 to 14-3G12
(1) 6" Inlet
(1) 6" Outlet



Model No.	Nominal Tonnage	WEIGHTS (LBS)			Fan Motor (HP)	Air Flow (CFM)	Dimensions			
		Shipping	Operating	Heaviest Section†			H†	T†	P	L
AT 14-2E9	76	2,000	3,600	1,380	(2)2	21,200	9' 6-1/2"	6' 5"	6' 3"	8' 11-1/2"
AT 14-2F9	90	2,100	3,700	1,480	(2)3	24,100	9' 6-1/2"	6' 5"	6' 3"	8' 11-1/2"
AT 14-3E9	86	2,160	3,760	1,540	(2)2	20,800	10' 6-1/2"	7' 5"	7' 3"	8' 11-1/2"
AT 14-3F9	100	2,260	3,860	1,640	(2)3	23,600	10' 6-1/2"	7' 5"	7' 3"	8' 11-1/2"
AT 14-2F12	115	2,530	4,700	1,770	(2)3	31,000	9' 6-1/2"	6' 5"	6' 3"	11' 11-3/4"
AT 14-2G12	137	2,570	4,740	1,810	(2)5	36,400	9' 6-1/2"	6' 5"	6' 3"	11' 11-3/4"
AT 14-3F12	129	2,730	4,900	1,970	(2)3	30,400	10' 6-1/2"	7' 5"	7' 3"	11' 11-3/4"
AT 14-3G12	150	2,770	4,940	2,010	(2)5	35,700	10' 6-1/2"	7' 5"	7' 3"	11' 11-3/4"

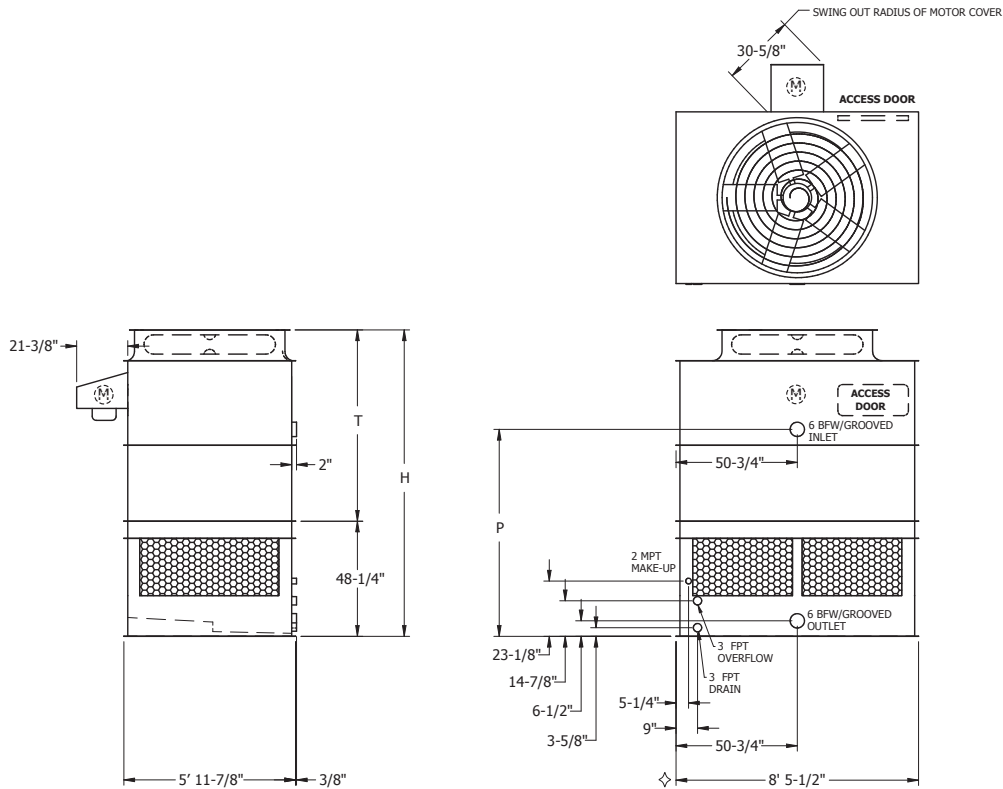
- NOTE: (1) An adequately sized bleed line must be installed in the cooling tower system to prevent build-up of impurities in the recirculated water.
 (2) Do not use catalog drawings for certified prints. Dimensions and weights are subject to change.
 (3) Adequate spacing must be allowed for access to the cooling tower. Refer to EVAPCO's Equipment Layout Manual.
 (4) Nominal Tonnage is based on 3 gpm per ton at 95 degree entering water temperature, 85 degree leaving water temperature, and 78 degree wet-bulb temperature.

◇ Outlet connection extends beyond bottom flange.
 † Height includes fan guard which ships factory mounted.

◆ Heaviest section is upper section.

Models: AT/UT/USS 19-2F6 to 19-4J6

One-Cell Cooling Towers



Model No.	Nominal Tonnage	WEIGHTS (LBS)			Fan Motor (HP)	Air Flow (CFM)	DIMENSIONS		
		Shipping	Operating	Heaviest Section [†]			H [†]	T [†]	P
AT 19-2F6	89	3,000	5,040	1,950	3	22,600	10' 8-1/4"	6' 8"	7' 2-1/2"
AT 19-2G6	112	3,060	5,100	2,010	5	26,500	10' 8-1/4"	6' 8"	7' 2-1/2"
AT 19-2H6	123	3,100	5,140	2,050	7.5	30,200	10' 8-1/4"	6' 8"	7' 2-1/2"
AT 19-3F6	101	3,200	5,240	2,150	3	22,200	11' 8-1/4"	7' 8"	8' 2-1/2"
AT 19-3G6	124	3,260	5,300	2,210	5	26,100	11' 8-1/4"	7' 8"	8' 2-1/2"
AT 19-3H6	138	3,300	5,340	2,250	7.5	29,700	11' 8-1/4"	7' 8"	8' 2-1/2"
AT 19-3I6	150	3,330	5,370	2,280	10	32,500	11' 8-1/4"	7' 8"	8' 2-1/2"
AT 19-4F6	109	3,420	5,460	2,370	3	21,900	12' 8-1/4"	8' 8"	9' 2-1/2"
AT 19-4G6	130	3,480	5,520	2,430	5	25,700	12' 8-1/4"	8' 8"	9' 2-1/2"
AT 19-4H6	143	3,520	5,560	2,470	7.5	29,200	12' 8-1/4"	8' 8"	9' 2-1/2"
AT 19-4I6	157	3,550	5,590	2,500	10	32,000	12' 8-1/4"	8' 8"	9' 2-1/2"
AT 19-4J6	171	3,620	5,660	2,570	15	36,400	12' 8-1/4"	8' 8"	9' 2-1/2"
UT Addition		150	150	150			1' 1"	1' 1"	

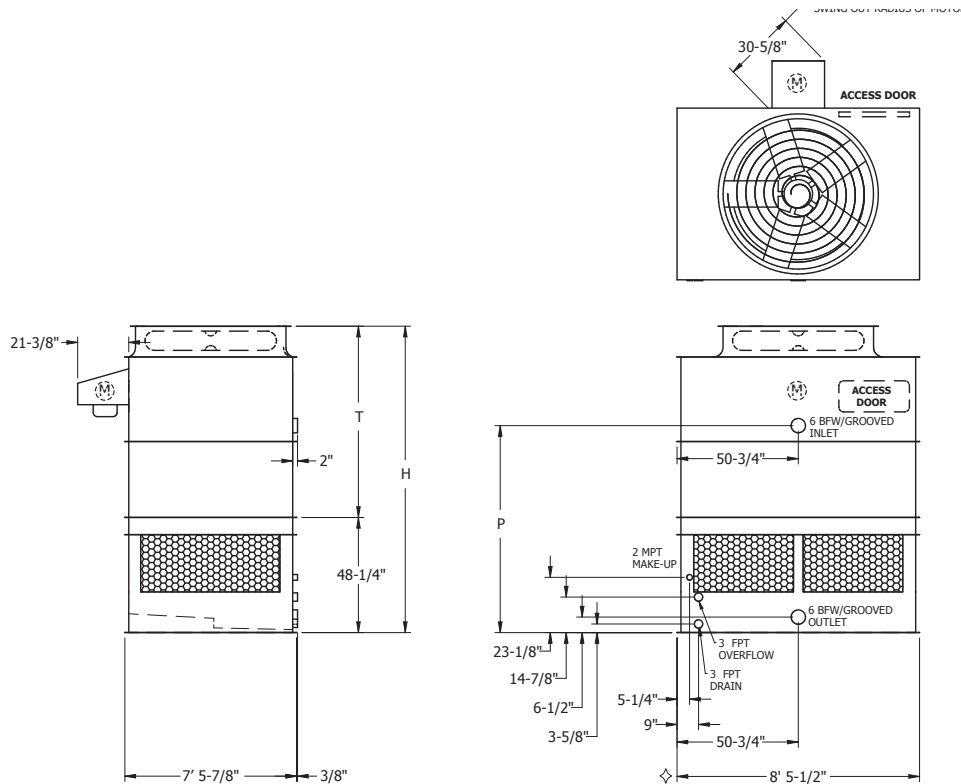
- NOTE: (1) An adequately sized bleed line must be installed in the cooling tower system to prevent build-up of impurities in the recirculated water.
 (2) Do not use catalog drawings for certified prints. Dimensions and weights are subject to change.
 (3) Adequate spacing must be allowed for access to the cooling tower. Refer to EVAPCO's Equipment Layout Manual.
 (4) Nominal Tonnage is based on 3 gpm per ton at 95 degree entering water temperature, 85 degree leaving water temperature, and 78 degree wet-bulb temperature.

◇ Outlet connection extends beyond bottom flange.
 † Height includes fan guard which ships factory mounted.

◆ Heaviest section is upper section.

Models: AT/UT/USS 19-2F8 to 19-4J8

One-Cell Cooling Towers



Model No.	Nominal Tonnage	WEIGHTS (LBS)			Fan Motor (HP)	Air Flow (CFM)	DIMENSIONS		
		Shipping	Operating	Heaviest Section [‡]			H [†]	T [†]	P
AT 19-2F8	109	3,390	5,810	2,220	3	26,600	10' 8-1/4"	6' 8"	7' 2-1/2"
AT 19-2G8	137	3,450	5,870	2,280	5	31,300	10' 8-1/4"	6' 8"	7' 2-1/2"
AT 19-2H8	148	3,490	5,910	2,320	7.5	35,700	10' 8-1/4"	6' 8"	7' 2-1/2"
AT 19-2I8	159	3,520	5,940	2,350	10	39,200	10' 8-1/4"	6' 8"	7' 2-1/2"
AT 19-3F8	123	3,620	6,040	2,450	3	26,200	11' 8-1/4"	7' 8"	8' 2-1/2"
AT 19-3G8	152	3,680	6,100	2,510	5	30,800	11' 8-1/4"	7' 8"	8' 2-1/2"
AT 19-3H8	165	3,720	6,140	2,550	7.5	35,100	11' 8-1/4"	7' 8"	8' 2-1/2"
AT 19-3I8	179	3,750	6,170	2,580	10	38,400	11' 8-1/4"	7' 8"	8' 2-1/2"
AT 19-3J8	197	3,810	6,230	2,640	15	43,700	11' 8-1/4"	7' 8"	8' 2-1/2"
AT 19-4F8	133	3,890	6,310	2,720	3	25,800	12' 8-1/4"	8' 8"	9' 2-1/2"
AT 19-4G8	159	3,950	6,370	2,780	5	30,300	12' 8-1/4"	8' 8"	9' 2-1/2"
AT 19-4H8	173	3,990	6,410	2,820	7.5	34,500	12' 8-1/4"	8' 8"	9' 2-1/2"
AT 19-4I8	187	4,020	6,440	2,850	10	37,800	12' 8-1/4"	8' 8"	9' 2-1/2"
AT 19-4J8	207	4,080	6,500	2,910	15	43,000	12' 8-1/4"	8' 8"	9' 2-1/2"
UT Addition		150	150	150			1' 5"	1' 5"	

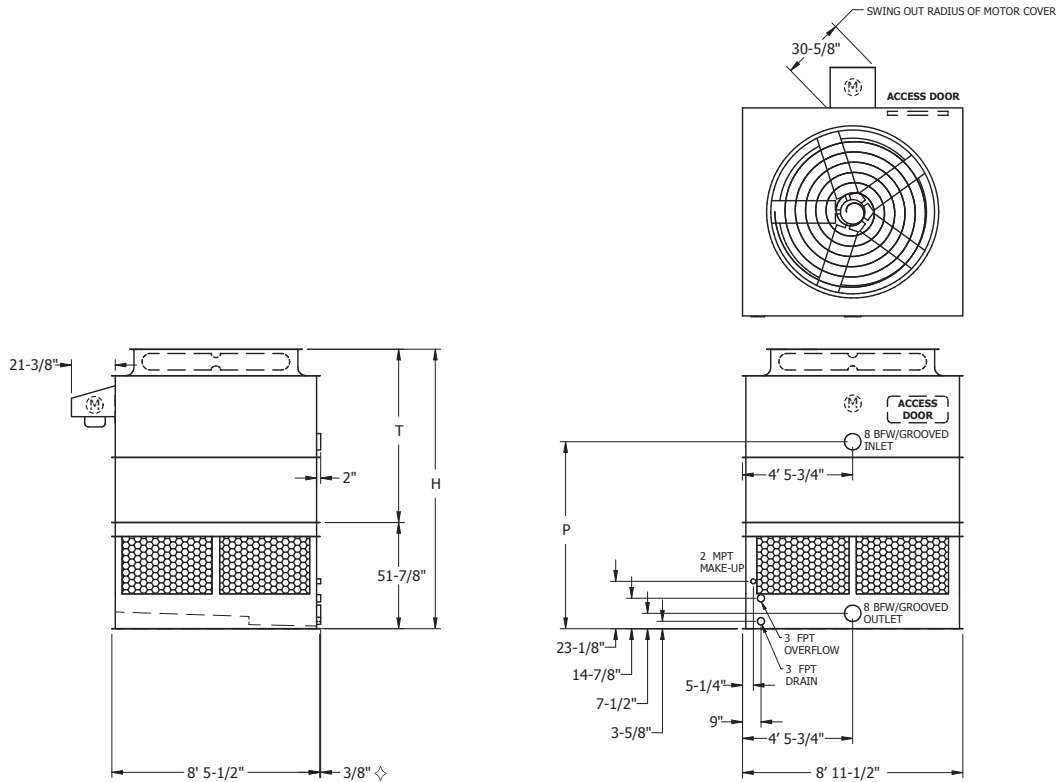
- NOTE: (1) An adequately sized bleed line must be installed in the cooling tower system to prevent build-up of impurities in the recirculated water.
 (2) Do not use catalog drawings for certified prints. Dimensions and weights are subject to change.
 (3) Adequate spacing must be allowed for access to the cooling tower. Refer to EVAPCO's Equipment Layout Manual.
 (4) Nominal Tonnage is based on 3 gpm per ton at 95 degree entering water temperature, 85 degree leaving water temperature, and 78 degree wet-bulb temperature.

◇ Outlet connection extends beyond bottom flange.
 † Height includes fan guard which ships factory mounted.

‡ Heaviest section is upper section.

Models: AT/UT/USS 19-2G9 to 19-4K9

One-Cell Cooling Towers



Model No.	Nominal Tonnage	WEIGHTS (LBS)			Fan Motor (HP)	Air Flow (CFM)	DIMENSIONS		
		Shipping	Operating	Heaviest Section†			H†	T†	P
AT 19-2G9	135	3,980	6,820	2,670	5	35,900	11' 4-3/8"	7' 1/2"	7' 7-1/8"
AT 19-2H9	162	4,020	6,860	2,710	7.5	40,800	11' 4-3/8"	7' 1/2"	7' 7-1/8"
AT 19-2I9	178	4,050	6,890	2,740	10	44,700	11' 4-3/8"	7' 1/2"	7' 7-1/8"
AT 19-2J9	208	4,120	6,960	2,810	15	50,800	11' 4-3/8"	7' 1/2"	7' 7-1/8"
AT 19-3G9	154	4,250	7,090	2,940	5	35,300	12' 4-3/8"	8' 1/2"	8' 7-1/8"
AT 19-3H9	181	4,290	7,130	2,980	7.5	40,100	12' 4-3/8"	8' 1/2"	8' 7-1/8"
AT 19-3I9	199	4,320	7,160	3,010	10	43,900	12' 4-3/8"	8' 1/2"	8' 7-1/8"
AT 19-3J9	232	4,390	7,230	3,080	15	49,800	12' 4-3/8"	8' 1/2"	8' 7-1/8"
AT 19-4G9	165	4,560	7,400	3,250	5	34,700	13' 4-3/8"	9' 1/2"	9' 7-1/8"
AT 19-4H9	191	4,600	7,440	3,290	7.5	39,500	13' 4-3/8"	9' 1/2"	9' 7-1/8"
AT 19-4I9	209	4,630	7,470	3,320	10	43,200	13' 4-3/8"	9' 1/2"	9' 7-1/8"
AT 19-4J9	242	4,700	7,540	3,390	15	49,000	13' 4-3/8"	9' 1/2"	9' 7-1/8"
AT 19-4K9	265	4,750	7,590	3,440	20	53,600	13' 4-3/8"	9' 1/2"	9' 7-1/8"
UT Addition		150	150	150			1' 9"	1' 9"	

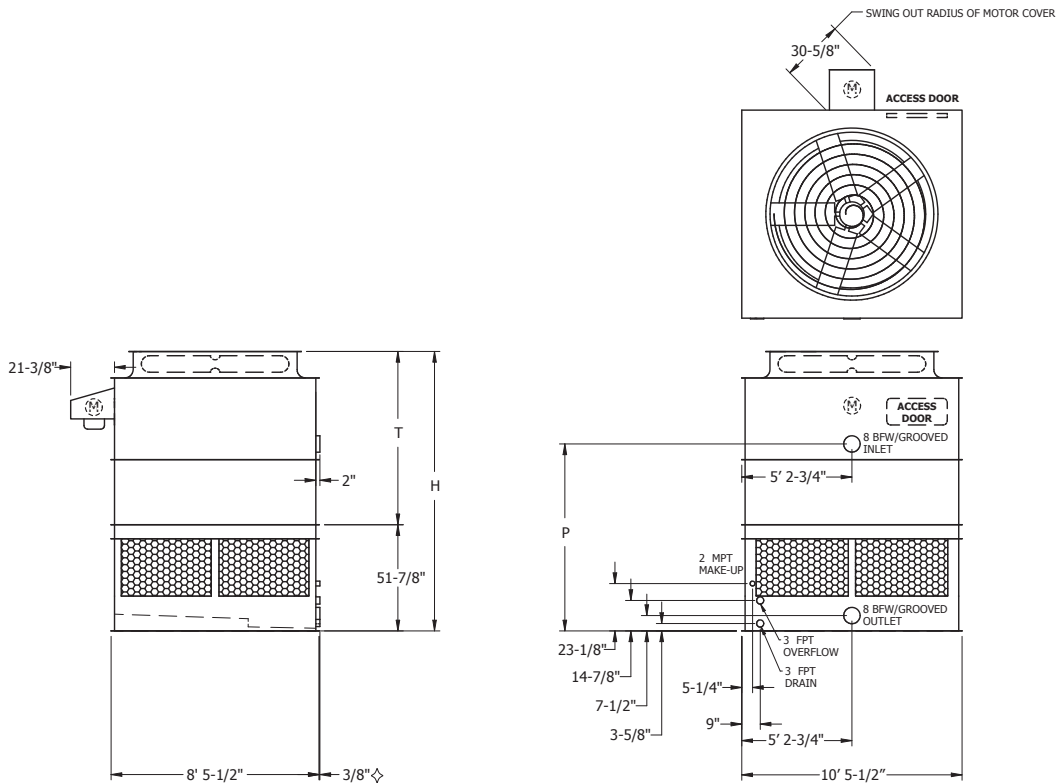
- NOTE: (1) An adequately sized bleed line must be installed in the cooling tower system to prevent build-up of impurities in the recirculated water.
 (2) Do not use catalog drawings for certified prints. Dimensions and weights are subject to change.
 (3) Adequate spacing must be allowed for access to the cooling tower. Refer to EVAPCO's Equipment Layout Manual.
 (4) Nominal Tonnage is based on 3 gpm per ton at 95 degree entering water temperature, 85 degree leaving water temperature, and 78 degree wet-bulb temperature.

◇ Outlet connection extends beyond bottom flange.
 † Height includes fan guard which ships factory mounted.

◆ Heaviest section is upper section.

Models: AT/UT/USS 19-2G11 to 19-4L11

One-Cell Cooling Towers



Model No.	Nominal Tonnage	WEIGHTS (LBS)			Fan Motor (HP)	Air Flow (CFM)	DIMENSIONS		
		Shipping	Operating	Heaviest Section [†]			H [†]	T [†]	P
AT 19-2G11	156	4,530	7,830	3,060	5	40,200	11' 4-3/8"	7' 1/2"	7' 7-1/8"
AT 19-2H11	187	4,570	7,870	3,100	7.5	45,700	11' 4-3/8"	7' 1/2"	7' 7-1/8"
AT 19-2I11	202	4,600	7,900	3,130	10	50,200	11' 4-3/8"	7' 1/2"	7' 7-1/8"
AT 19-2J11	231	4,670	7,970	3,200	15	57,100	11' 4-3/8"	7' 1/2"	7' 7-1/8"
AT 19-3G11	172	4,850	8,150	3,380	5	39,700	12' 4-3/8"	8' 1/2"	8' 7-1/8"
AT 19-3H11	202	4,890	8,190	3,420	7.5	45,100	12' 4-3/8"	8' 1/2"	8' 7-1/8"
AT 19-3I11	221	4,920	8,220	3,450	10	49,400	12' 4-3/8"	8' 1/2"	8' 7-1/8"
AT 19-3J11	256	4,990	8,290	3,520	15	56,100	12' 4-3/8"	8' 1/2"	8' 7-1/8"
AT 19-3K11	285	5,040	8,340	3,570	20	61,300	12' 4-3/8"	8' 1/2"	8' 7-1/8"
AT 19-4G11	190	5,200	8,500	3,730	5	39,000	13' 4-3/8"	9' 1/2"	9' 7-1/8"
AT 19-4H11	220	5,240	8,540	3,770	7.5	44,300	13' 4-3/8"	9' 1/2"	9' 7-1/8"
AT 19-4I11	238	5,270	8,570	3,800	10	48,600	13' 4-3/8"	9' 1/2"	9' 7-1/8"
AT 19-4J11	270	5,340	8,640	3,870	15	55,100	13' 4-3/8"	9' 1/2"	9' 7-1/8"
AT 19-4K11	298	5,390	8,690	3,920	20	60,300	13' 4-3/8"	9' 1/2"	9' 7-1/8"
AT 19-4L11	314	5,420	8,720	3,950	25	64,600	13' 4-3/8"	9' 1/2"	9' 7-1/8"
UT Addition		150	150	150			1' 9"	1' 9"	

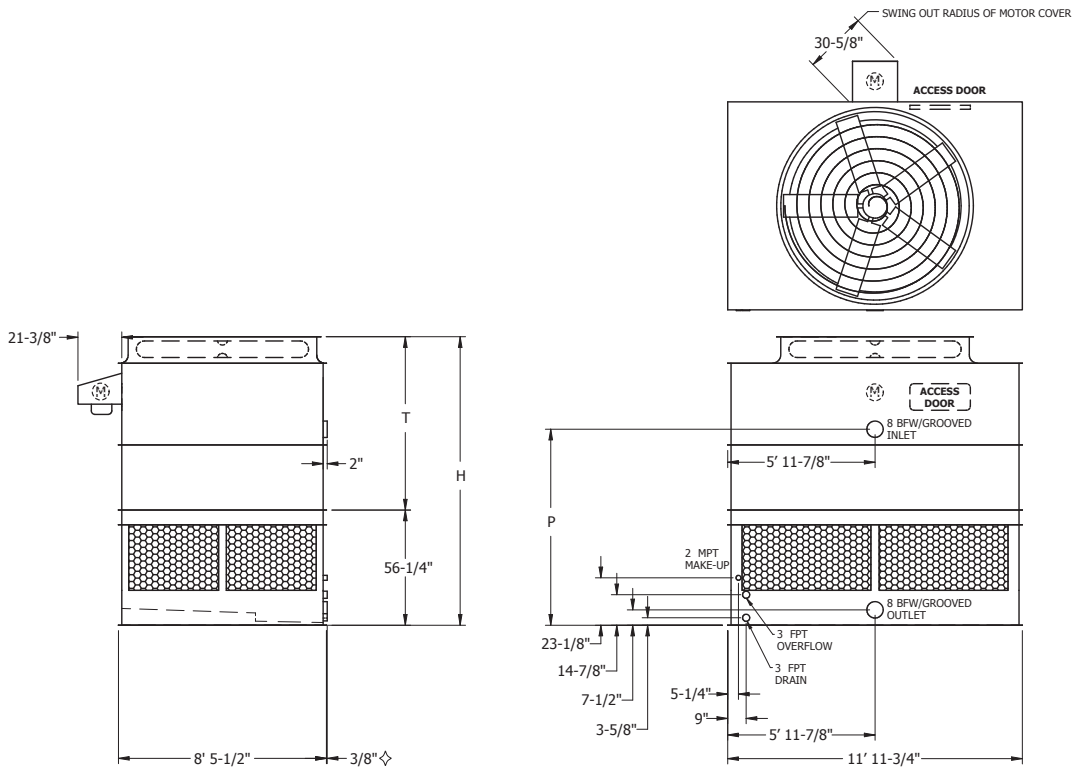
- NOTE: (1) An adequately sized bleed line must be installed in the cooling tower system to prevent build-up of impurities in the recirculated water.
 (2) Do not use catalog drawings for certified prints. Dimensions and weights are subject to change.
 (3) Adequate spacing must be allowed for access to the cooling tower. Refer to EVAPCO's Equipment Layout Manual.
 (4) Nominal Tonnage is based on 3 gpm per ton at 95 degree entering water temperature, 85 degree leaving water temperature, and 78 degree wet-bulb temperature.

◇ Outlet connection extends beyond bottom flange.
 † Height includes fan guard which ships factory mounted.

◆ Heaviest section is upper section.

Models: AT/UT/USS 19-2H12 to 19-4M12

One-Cell Cooling Towers



Model No.	Nominal Tonnage	WEIGHTS (LBS)			Fan Motor (HP)	Air Flow (CFM)	DIMENSIONS		
		Shipping	Operating	Heaviest Section†			H†	T†	P
AT 19-2H12	203	5,080	8,940	3,430	7.5	50,600	11' 8-3/4"	7' 1/2"	7' 11-1/2"
AT 19-2I12	230	5,110	8,970	3,460	10	55,400	11' 8-3/4"	7' 1/2"	7' 11-1/2"
AT 19-2J12	257	5,190	9,050	3,540	15	63,100	11' 8-3/4"	7' 1/2"	7' 11-1/2"
AT 19-2K12	283	5,230	9,090	3,580	20	69,100	11' 8-3/4"	7' 1/2"	7' 11-1/2"
AT 19-3H12	229	5,440	9,300	3,790	7.5	49,800	12' 8-3/4"	8' 1/2"	8' 11-1/2"
AT 19-3I12	256	5,470	9,330	3,820	10	54,500	12' 8-3/4"	8' 1/2"	8' 11-1/2"
AT 19-3J12	289	5,550	9,410	3,900	15	61,900	12' 8-3/4"	8' 1/2"	8' 11-1/2"
AT 19-3K12	319	5,590	9,450	3,940	20	67,800	12' 8-3/4"	8' 1/2"	8' 11-1/2"
AT 19-3L12	340	5,610	9,470	3,960	25	72,800	12' 8-3/4"	8' 1/2"	8' 11-1/2"
AT 19-4H12	243	5,830	9,690	4,180	7.5	49,000	13' 8-3/4"	9' 1/2"	9' 11-1/2"
AT 19-4I12	268	5,860	9,720	4,210	10	53,600	13' 8-3/4"	9' 1/2"	9' 11-1/2"
AT 19-4J12	299	5,940	9,800	4,290	15	61,000	13' 8-3/4"	9' 1/2"	9' 11-1/2"
AT 19-4K12	330	5,980	9,840	4,330	20	66,700	13' 8-3/4"	9' 1/2"	9' 11-1/2"
AT 19-4L12	352	6,000	9,860	4,350	25	71,500	13' 8-3/4"	9' 1/2"	9' 11-1/2"
AT 19-4M12	363	6,020	9,880	4,370	30	75,800	13' 8-3/4"	9' 1/2"	9' 11-1/2"
UT Addition		150	150	150			1' 9"	1' 9"	

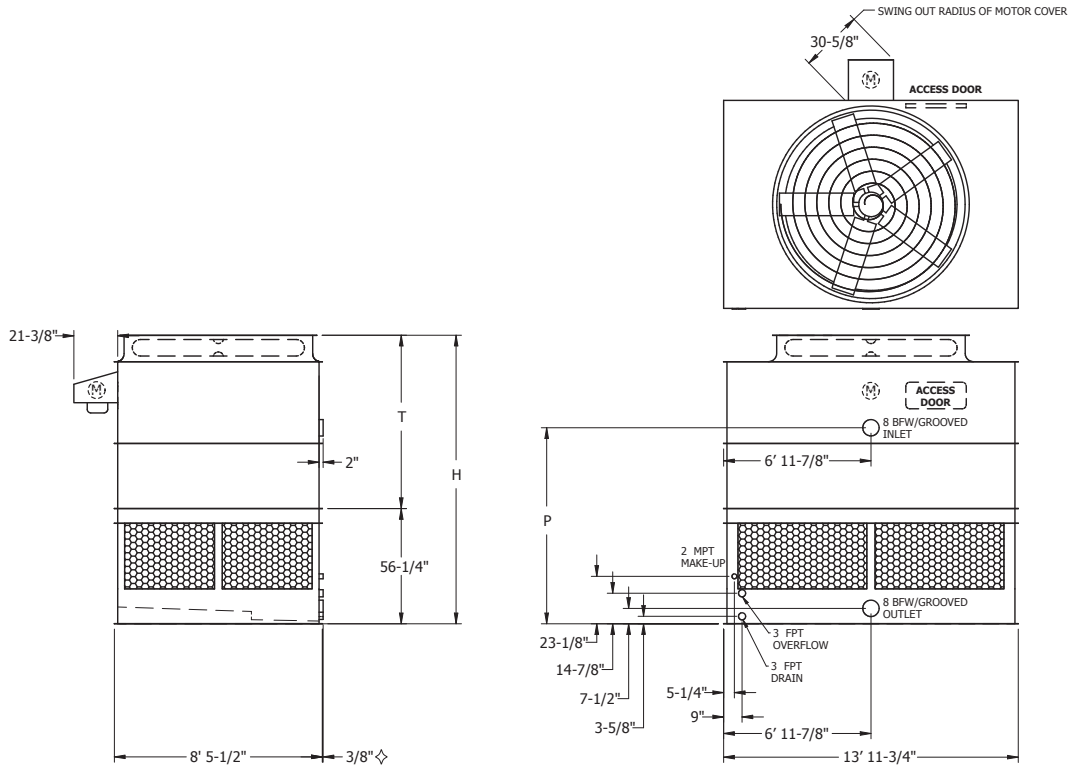
- NOTE: (1) An adequately sized bleed line must be installed in the cooling tower system to prevent build-up of impurities in the recirculated water.
 (2) Do not use catalog drawings for certified prints. Dimensions and weights are subject to change.
 (3) Adequate spacing must be allowed for access to the cooling tower. Refer to EVAPCO's Equipment Layout Manual.
 (4) Nominal Tonnage is based on 3 gpm per ton at 95 degree entering water temperature, 85 degree leaving water temperature, and 78 degree wet-bulb temperature.

◇ Outlet connection extends beyond bottom flange.
 † Height includes fan guard which ships factory mounted.

◆ Heaviest section is upper section.

Models: AT/UT/USS 19-2H14 to 19-4M14

One-Cell Cooling Towers



Model No.	Nominal Tonnage	WEIGHTS (LBS)			Fan Motor (HP)	Air Flow (CFM)	DIMENSIONS		
		Shipping	Operating	Heaviest Section [♦]			H [†]	T [†]	P
AT 19-2H14	221	5,540	10,050	3,680	7.5	55,900	11' 8-3/4"	7' 1/2"	7' 11-1/2"
AT 19-2I14	251	5,570	10,080	3,710	10	61,300	11' 8-3/4"	7' 1/2"	7' 11-1/2"
AT 19-2J14	280	5,650	10,160	3,790	15	69,800	11' 8 3/4"	7' 1/2"	7' 11-1/2"
AT 19-2K14	309	5,690	10,200	3,830	20	76,500	11' 8 3/4"	7' 1/2"	7' 11-1/2"
AT 19-2L14	337	5,710	10,220	3,850	25	82,000	11' 8 3/4"	7' 1/2"	7' 11-1/2"
AT 19-3H14	249	5,950	10,460	4,090	7.5	55,100	12' 8-3/4"	8' 1/2"	8' 11-1/2"
AT 19-3I14	280	5,980	10,490	4,120	10	60,300	12' 8-3/4"	8' 1/2"	8' 11-1/2"
AT 19-3J14	315	6,060	10,570	4,200	15	68,600	12' 8-3/4"	8' 1/2"	8' 11-1/2"
AT 19-3K14	347	6,100	10,610	4,240	20	75,000	12' 8-3/4"	8' 1/2"	8' 11-1/2"
AT 19-3L14	377	6,120	10,630	4,260	25	80,400	12' 8-3/4"	8' 1/2"	8' 11-1/2"
AT 19-3M14	399	6,140	10,650	4,280	30	85,200	12' 8-3/4"	8' 1/2"	8' 11-1/2"
AT 19-4H14	266	6,400	10,910	4,540	7.5	54,200	13' 8-3/4"	9' 1/2"	9' 11-1/2"
AT 19-4I14	295	6,430	10,940	4,570	10	59,300	13' 8-3/4"	9' 1/2"	9' 11-1/2"
AT 19-4J14	329	6,510	11,020	4,650	15	67,500	13' 8-3/4"	9' 1/2"	9' 11-1/2"
AT 19-4K14	361	6,550	11,060	4,690	20	73,800	13' 8 3/4"	9' 1/2"	9' 11-1/2"
AT 19-4L14	391	6,570	11,080	4,710	25	79,100	13' 8 3/4"	9' 1/2"	9' 11-1/2"
AT 19-4M14	413	6,590	11,100	4,730	30	83,700	13' 8 3/4"	9' 1/2"	9' 11-1/2"
UT Addition		150	150	150			1' 9"	1' 9"	

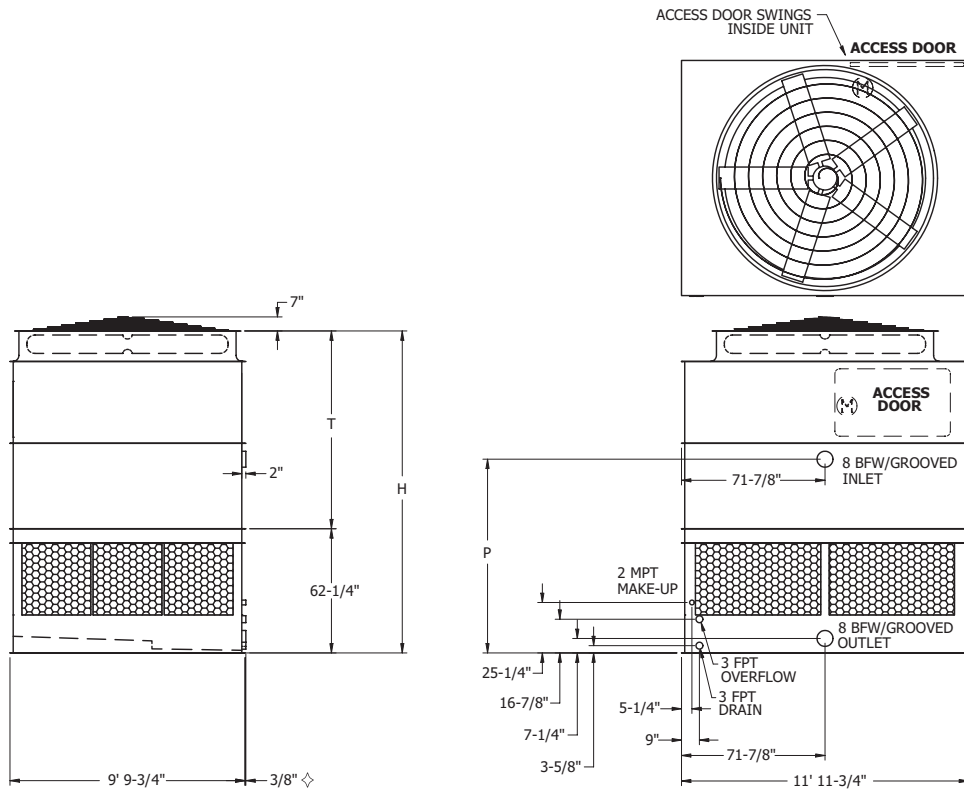
- NOTE: (1) An adequately sized bleed line must be installed in the cooling tower system to prevent build-up of impurities in the recirculated water.
 (2) Do not use catalog drawings for certified prints. Dimensions and weights are subject to change.
 (3) Adequate spacing must be allowed for access to the cooling tower. Refer to EVAPCO's Equipment Layout Manual.
 (4) Nominal Tonnage is based on 3 gpm per ton at 95 degree entering water temperature, 85 degree leaving water temperature, and 78 degree wet-bulb temperature.

♦ Outlet connection extends beyond bottom flange.
 † Height includes fan guard which ships factory mounted.

♦ Heaviest section is upper section.

Models: AT/UT/USS 110-2I12 to 110-4N12

One-Cell Cooling Towers



Model No.	Nominal Tonnage	WEIGHTS (LBS)			Fan Motor (HP)	Air Flow (CFM)	DIMENSIONS		
		Shipping	Operating	Heaviest Section†			H†	T†	P
AT 110-2I12	227	6,290	11,830	4,200	10	64,700	13' 5-1/4"	8' 3"	8' 1"
AT 110-2J12	276	6,360	11,900	4,270	15	73,500	13' 5-1/4"	8' 3"	8' 1"
AT 110-2K12	305	6,410	11,950	4,320	20	80,600	13' 5-1/4"	8' 3"	8' 1"
AT 110-2L12	326	6,460	12,000	4,370	25	86,500	13' 5-1/4"	8' 3"	8' 1"
AT 110-2M12	342	6,560	12,100	4,470	30	91,700	13' 5-1/4"	8' 3"	8' 1"
AT 110-3I12	284	6,770	12,310	4,680	10	63,700	14' 5-1/4"	9' 3"	9' 1"
AT 110-3J12	309	6,840	12,380	4,750	15	72,300	14' 5-1/4"	9' 3"	9' 1"
AT 110-3K12	338	6,890	12,430	4,800	20	79,100	14' 5-1/4"	9' 3"	9' 1"
AT 110-3L12	361	6,940	12,480	4,850	25	84,900	14' 5-1/4"	9' 3"	9' 1"
AT 110-3M12	380	7,040	12,580	4,950	30	89,900	14' 5-1/4"	9' 3"	9' 1"
AT 110-4I12	277	7,190	12,730	5,100	10	62,700	15' 5-1/4"	10' 3"	10' 1"
AT 110-4J12	322	7,260	12,800	5,170	15	71,200	15' 5-1/4"	10' 3"	10' 1"
AT 110-4K12	350	7,310	12,850	5,220	20	77,900	15' 5-1/4"	10' 3"	10' 1"
AT 110-4L12	373	7,360	12,900	5,270	25	83,600	15' 5-1/4"	10' 3"	10' 1"
AT 110-4M12	393	7,460	13,000	5,370	30	88,500	15' 5-1/4"	10' 3"	10' 1"
AT 110-4N12	410	7,710	13,250	5,620	35	92,800	15' 5-1/4"	10' 3"	10' 1"
UT Addition		700	700	700			1' 9-1/2"	1' 9-1/2"	

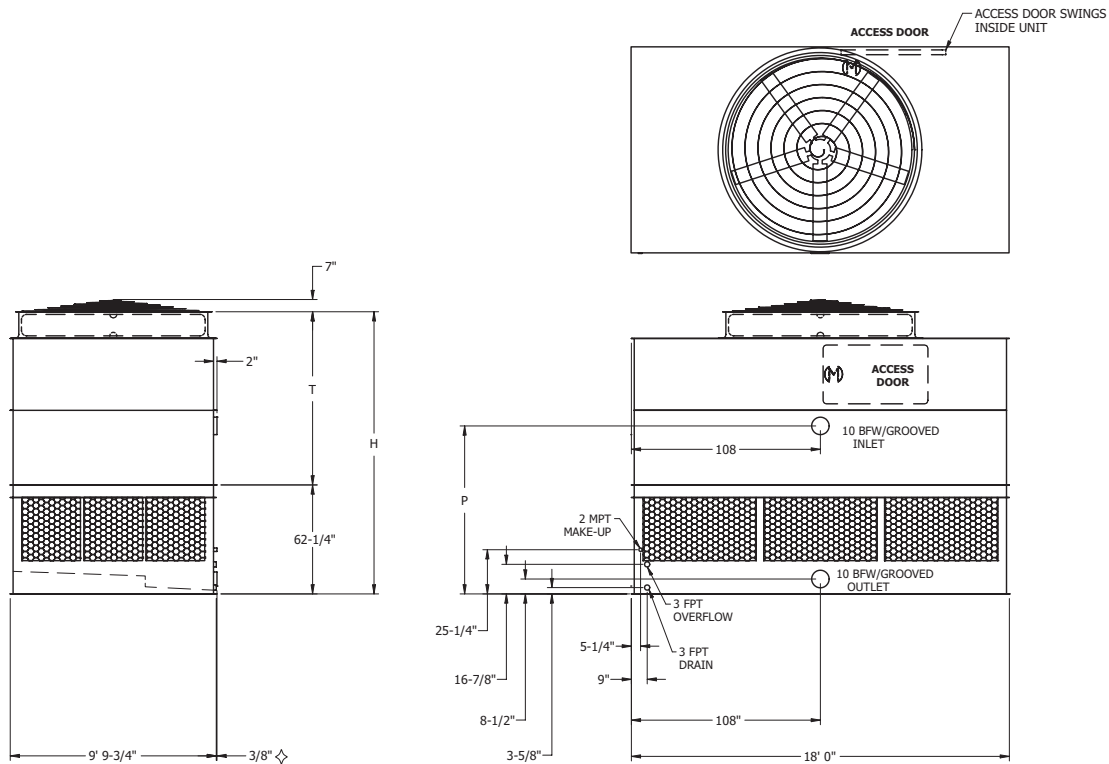
- NOTE: (1) An adequately sized bleed line must be installed in the cooling tower system to prevent build-up of impurities in the recirculated water.
 (2) Do not use catalog drawings for certified prints. Dimensions and weights are subject to change.
 (3) Adequate spacing must be allowed for access to the cooling tower. Refer to EVAPCO's Equipment Layout Manual.
 (4) Nominal Tonnage is based on 3 gpm per ton at 95 degree entering water temperature, 85 degree leaving water temperature, and 78 degree wet-bulb temperature.

◇ Outlet connection extends beyond bottom flange.
 † Height includes fan guard which ships factory mounted.

◆ Heaviest section is upper section.

Models: AT/UT/USS 110-2118 to 110-4N18

One-Cell Cooling Towers



Model No.	Nominal Tonnage	WEIGHTS (LBS)			Fan Motor (HP)	Air Flow (CFM)	DIMENSIONS		
		Shipping	Operating	Heaviest Section†			H†	T†	P
AT 110-2118	290	8,790	17,200	5,640	10	86,000	13' 5-1/4"	8' 3"	8' 0"
AT 110-2118	351	8,860	17,270	5,710	15	97,800	13' 5-1/4"	8' 3"	8' 0"
AT 110-2K18	389	8,910	17,320	5,760	20	107,200	13' 5-1/4"	8' 3"	8' 0"
AT 110-2L18	420	8,960	17,370	5,810	25	115,100	13' 5-1/4"	8' 3"	8' 0"
AT 110-2M18	445	9,060	17,470	5,910	30	122,000	13' 5-1/4"	8' 3"	8' 0"
AT 110-3118	333	9,480	17,890	6,330	10	84,700	14' 5-1/4"	9' 3"	9' 0"
AT 110-3118	395	9,550	17,960	6,400	15	96,300	14' 5-1/4"	9' 3"	9' 0"
AT 110-3K18	437	9,600	18,010	6,450	20	105,500	14' 5-1/4"	9' 3"	9' 0"
AT 110-3L18	471	9,650	18,060	6,500	25	113,100	14' 5-1/4"	9' 3"	9' 0"
AT 110-3M18	499	9,750	18,160	6,600	30	119,800	14' 5-1/4"	9' 3"	9' 0"
AT 110-3N18	547	10,000	18,410	6,850	40	131,100	14' 5-1/4"	9' 3"	9' 0"
AT 110-4118	364	10,110	18,520	6,960	10	83,300	15' 5-1/4"	10' 3"	10' 0"
AT 110-4118	420	10,180	18,590	7,030	15	94,700	15' 5-1/4"	10' 3"	10' 0"
AT 110-4K18	460	10,230	18,640	7,080	20	103,800	15' 5-1/4"	10' 3"	10' 0"
AT 110-4L18	493	10,280	18,690	7,130	25	111,300	15' 5-1/4"	10' 3"	10' 0"
AT 110-4M18	522	10,380	18,790	7,230	30	117,900	15' 5-1/4"	10' 3"	10' 0"
AT 110-4N18	570	10,630	19,040	7,480	40	129,000	15' 5-1/4"	10' 3"	10' 0"
UT Addition		700	700	700			1' 9-1/2"	1' 9-1/2"	

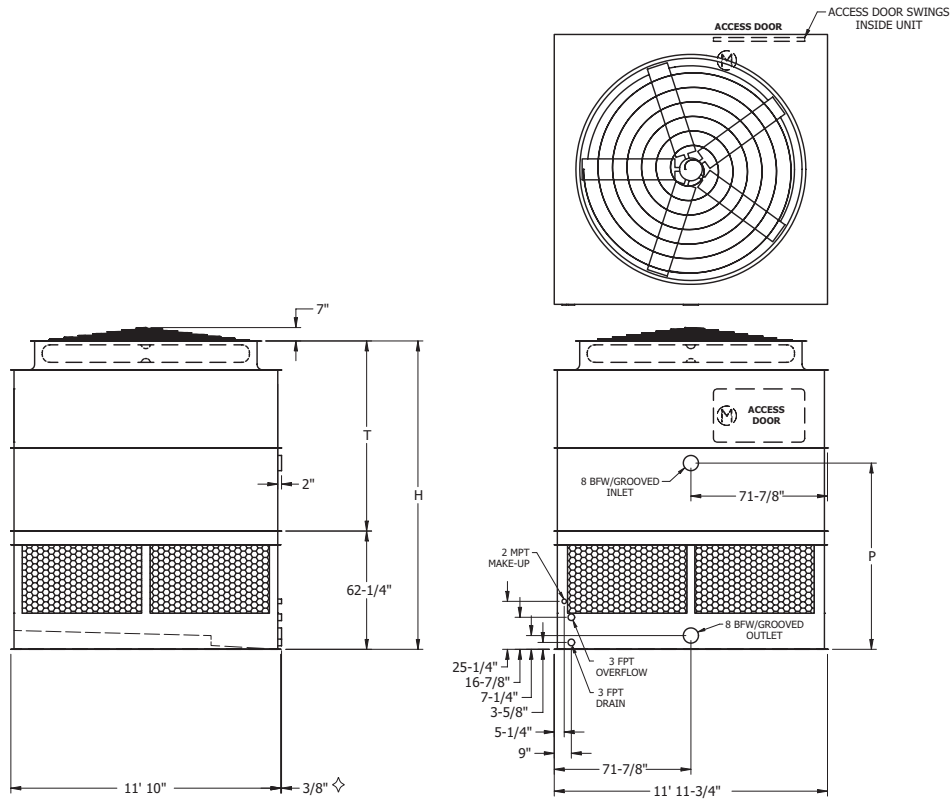
- NOTE: (1) An adequately sized bleed line must be installed in the cooling tower system to prevent build-up of impurities in the recirculated water.
 (2) Do not use catalog drawings for certified prints. Dimensions and weights are subject to change.
 (3) Adequate spacing must be allowed for access to the cooling tower. Refer to EVAPCO's Equipment Layout Manual.
 (4) Nominal Tonnage is based on 3 gpm per ton at 95 degree entering water temperature, 85 degree leaving water temperature, and 78 degree wet-bulb temperature.

◇ Outlet connection extends beyond bottom flange.
 † Height includes fan guard which ships factory mounted.

◆ Heaviest section is upper section.

Models: AT/UT/USS 112-2112 to 112-4N12

One-Cell Cooling Towers



Model No.	Nominal Tonnage	WEIGHTS (LBS)			Fan Motor (HP)	Air Flow (CFM)	DIMENSIONS		
		Shipping	Operating	Heaviest Section†			H†	T†	P
AT 112-2112	280	7,330	13,540	4,930	10	71,600	13' 6-1/4"	8' 4"	8' 2"
AT 112-2J12	334	7,400	13,610	5,000	15	81,400	13' 6-1/4"	8' 4"	8' 2"
AT 112-2K12	364	7,450	13,660	5,050	20	89,200	13' 6-1/4"	8' 4"	8' 2"
AT 112-2L12	391	7,500	13,710	5,100	25	95,800	13' 6-1/4"	8' 4"	8' 2"
AT 112-2M12	414	7,600	13,810	5,200	30	101,500	13' 6-1/4"	8' 4"	8' 2"
AT 112-3112	316	7,870	14,080	5,470	10	70,500	14' 6-1/4"	9' 4"	9' 2"
AT 112-3J12	370	7,940	14,150	5,540	15	80,000	14' 6-1/4"	9' 4"	9' 2"
AT 112-3K12	404	7,990	14,200	5,590	20	87,600	14' 6-1/4"	9' 4"	9' 2"
AT 112-3L12	434	8,040	14,250	5,640	25	93,900	14' 6-1/4"	9' 4"	9' 2"
AT 112-3M12	461	8,140	14,350	5,740	30	99,500	14' 6-1/4"	9' 4"	9' 2"
AT 112-4112	337	8,360	14,570	5,960	10	69,300	15' 6-1/4"	10' 4"	10' 2"
AT 112-4J12	387	8,430	14,640	6,030	15	78,800	15' 6-1/4"	10' 4"	10' 2"
AT 112-4K12	422	8,480	14,690	6,080	20	86,200	15' 6-1/4"	10' 4"	10' 2"
AT 112-4L12	454	8,530	14,740	6,130	25	92,400	15' 6-1/4"	10' 4"	10' 2"
AT 112-4M12	481	8,630	14,840	6,230	30	97,800	15' 6-1/4"	10' 4"	10' 2"
AT 112-4N12	515	8,880	15,090	6,480	40	107,100	15' 6-1/4"	10' 4"	10' 2"
UT Addition		700	700	700			1' 9-1/2"	1' 9-1/2"	

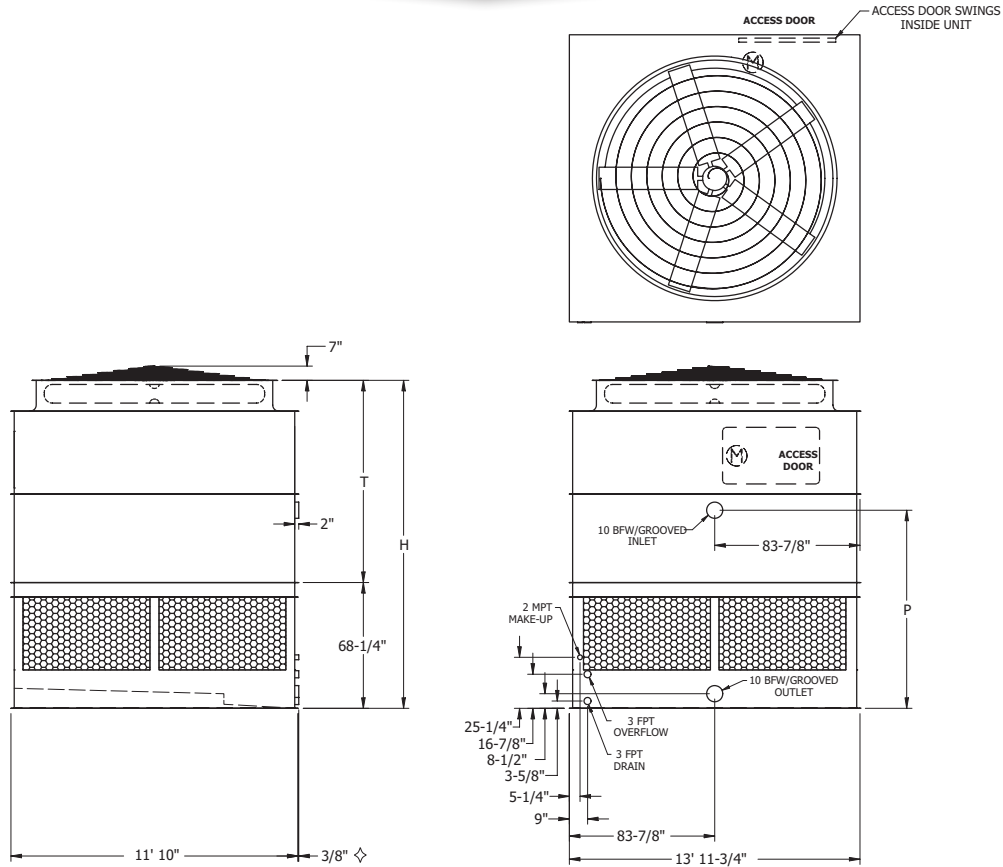
- NOTE: (1) An adequately sized bleed line must be installed in the cooling tower system to prevent build-up of impurities in the recirculated water.
 (2) Do not use catalog drawings for certified prints. Dimensions and weights are subject to change.
 (3) Adequate spacing must be allowed for access to the cooling tower. Refer to EVAPCO's Equipment Layout Manual.
 (4) Nominal Tonnage is based on 3 gpm per ton at 95 degree entering water temperature, 85 degree leaving water temperature, and 78 degree wet-bulb temperature.

◇ Outlet connection extends beyond bottom flange.
 † Height includes fan guard which ships factory mounted.

◆ Heaviest section is upper section.

Models: AT/UT/USS 112-2I14 to 112-4N14

One-Cell Cooling Towers



Model No.	Nominal Tonnage	WEIGHTS (LBS)			Fan Motor (HP)	Air Flow (CFM)	DIMENSIONS		
		Shipping	Operating	Heaviest Section [†]			H [†]	T [†]	P
AT 112-2I14	299	8,230	15,560	5,360	10	77,800	14' 1/4"	8' 4"	8' 7"
AT 112-2J14	359	8,300	15,630	5,430	15	88,500	14' 1/4"	8' 4"	8' 7"
AT 112-2K14	394	8,360	15,690	5,490	20	97,000	14' 1/4"	8' 4"	8' 7"
AT 112-2L14	425	8,420	15,750	5,550	25	104,100	14' 1/4"	8' 4"	8' 7"
AT 112-2M14	450	8,490	15,820	5,620	30	110,400	14' 1/4"	8' 4"	8' 7"
AT 112-3I14	344	8,890	16,220	6,020	10	76,600	15' 1/4"	9' 4"	9' 7"
AT 112-3J14	405	8,960	16,290	6,090	15	87,000	15' 1/4"	9' 4"	9' 7"
AT 112-3K14	439	9,020	16,350	6,150	20	95,400	15' 1/4"	9' 4"	9' 7"
AT 112-3L14	471	9,080	16,410	6,210	25	102,300	15' 1/4"	9' 4"	9' 7"
AT 112-3M14	501	9,150	16,480	6,280	30	108,300	15' 1/4"	9' 4"	9' 7"
AT 112-3N14	548	9,410	16,740	6,540	40	118,600	15' 1/4"	9' 4"	9' 7"
AT 112-4I14	370	9,410	16,740	6,540	10	75,300	16' 1/4"	10' 4"	10' 7"
AT 112-4J14	427	9,480	16,810	6,610	15	85,600	16' 1/4"	10' 4"	10' 7"
AT 112-4K14	460	9,540	16,870	6,670	20	93,800	16' 1/4"	10' 4"	10' 7"
AT 112-4L14	494	9,600	16,930	6,730	25	100,600	16' 1/4"	10' 4"	10' 7"
AT 112-4M14	524	9,670	17,000	6,800	30	106,500	16' 1/4"	10' 4"	10' 7"
AT 112-4N14	574	9,930	17,260	7,060	40	116,500	16' 1/4"	10' 4"	10' 7"
UT Addition		700	700	700			1' 9-1/2"	1' 9-1/2"	

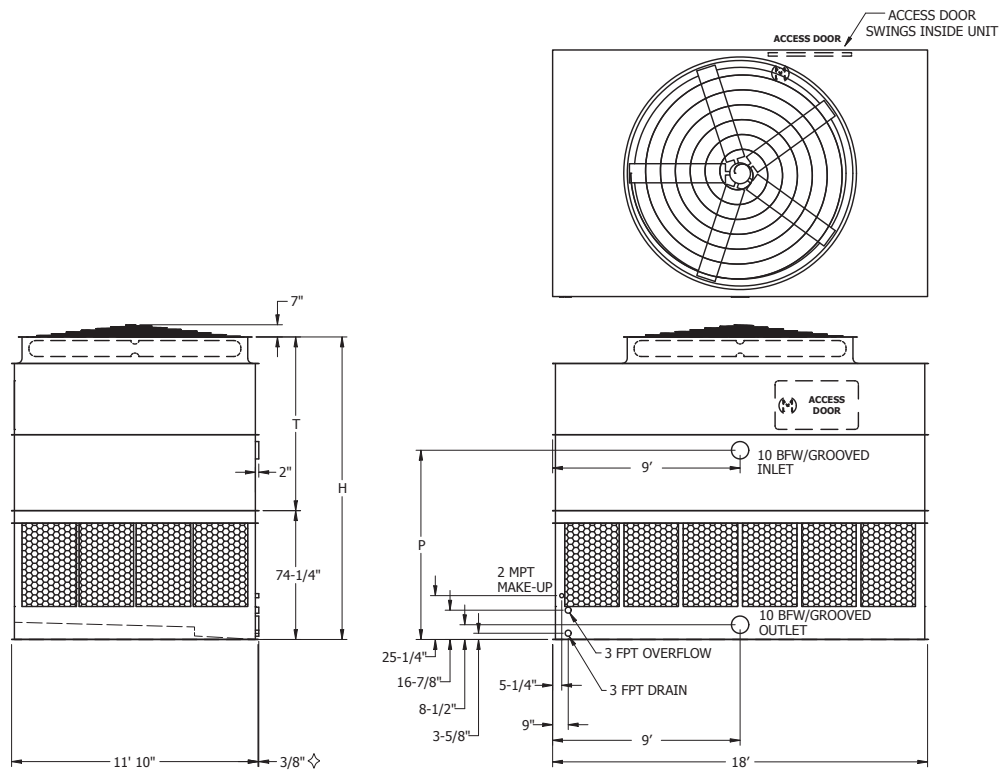
- NOTE: (1) An adequately sized bleed line must be installed in the cooling tower system to prevent build-up of impurities in the recirculated water.
 (2) Do not use catalog drawings for certified prints. Dimensions and weights are subject to change.
 (3) Adequate spacing must be allowed for access to the cooling tower. Refer to EVAPCO's Equipment Layout Manual.
 (4) Nominal Tonnage is based on 3 gpm per ton at 95 degree entering water temperature, 85 degree leaving water temperature, and 78 degree wet-bulb temperature.

◇ Outlet connection extends beyond bottom flange.
 † Height includes fan guard which ships factory mounted.

◆ Heaviest section is upper section.

Models: AT/UT/USS 112-2J18 to 112-4P18

One-Cell Cooling Towers



Model No.	Nominal Tonnage	WEIGHTS (LBS)			Fan Motor (HP)	Air Flow (CFM)	DIMENSIONS		
		Shipping	Operating	Heaviest Section [♦]			H [†]	T [†]	P
AT 112-2J18	439	10,600	19,870	6,700	15	110,100	14' 6 1/4"	8' 4"	9' 1"
AT 112-2K18	497	10,660	19,930	6,760	20	120,600	14' 6 1/4"	8' 4"	9' 1"
AT 112-2L18	525	10,710	19,980	6,810	25	129,600	14' 6 1/4"	8' 4"	9' 1"
AT 112-2M18	554	10,820	20,090	6,920	30	137,400	14' 6 1/4"	8' 4"	9' 1"
AT 112-2N18	610	11,080	20,350	7,180	40	150,500	14' 6 1/4"	8' 4"	9' 1"
AT 112-3J18	488	11,380	20,650	7,480	15	108,500	15' 6 1/4"	9' 4"	10' 1"
AT 112-3K18	546	11,440	20,710	7,540	20	118,700	15' 6 1/4"	9' 4"	10' 1"
AT 112-3L18	581	11,490	20,760	7,590	25	127,400	15' 6 1/4"	9' 4"	10' 1"
AT 112-3M18	614	11,600	20,870	7,700	30	134,900	15' 6 1/4"	9' 4"	10' 1"
AT 112-3N18	675	11,860	21,130	7,960	40	147,600	15' 6 1/4"	9' 4"	10' 1"
AT 112-3O18	724	11,920	21,190	8,020	50	158,500	15' 6 1/4"	9' 4"	10' 1"
AT 112-4J18	518	12,120	21,390	8,220	15	106,700	16' 6 1/4"	10' 4"	11' 1"
AT 112-4K18	572	12,180	21,450	8,280	20	116,800	16' 6 1/4"	10' 4"	11' 1"
AT 112-4L18	606	12,230	21,500	8,330	25	125,400	16' 6 1/4"	10' 4"	11' 1"
AT 112-4M18	642	12,340	21,610	8,440	30	132,800	16' 6 1/4"	10' 4"	11' 1"
AT 112-4N18	705	12,600	21,870	8,700	40	145,200	16' 6 1/4"	10' 4"	11' 1"
AT 112-4O18	757	12,660	21,930	8,760	50	155,600	16' 6 1/4"	10' 4"	11' 1"
AT 112-4P18	785	12,770	22,040	8,870	60	164,900	16' 6 1/4"	10' 4"	11' 1"
UT Addition		1,200	1,200	1,200			1' 3-1/2"	1' 3-1/2"	

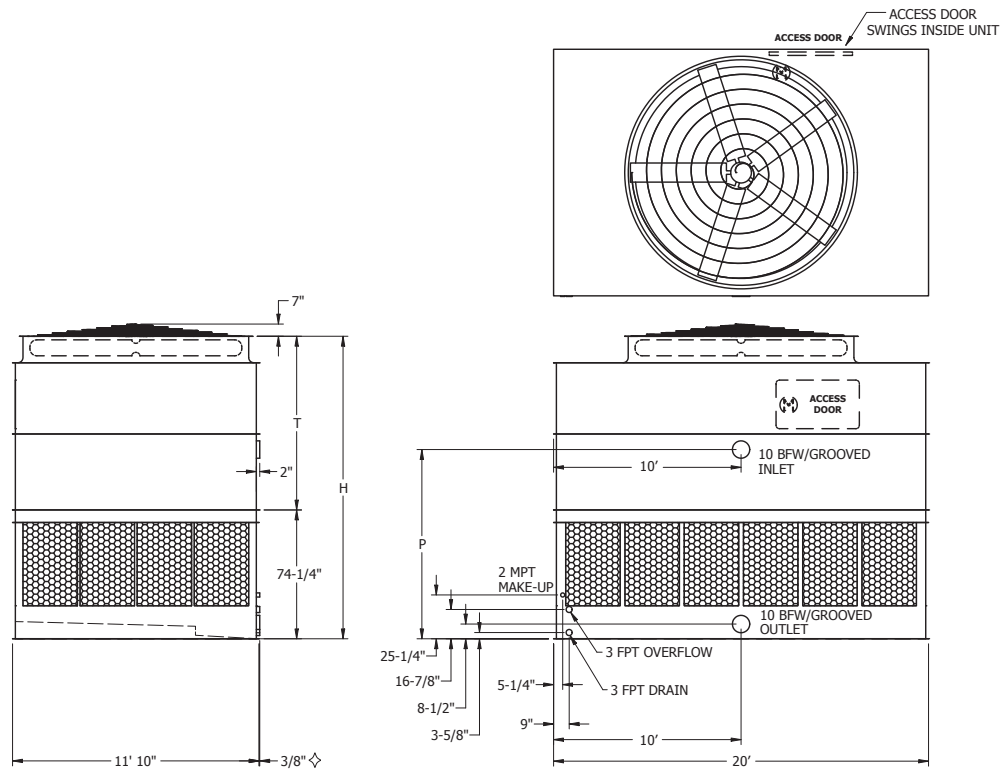
- NOTE: (1) An adequately sized bleed line must be installed in the cooling tower system to prevent build-up of impurities in the recirculated water.
 (2) Do not use catalog drawings for certified prints. Dimensions and weights are subject to change.
 (3) Adequate spacing must be allowed for access to the cooling tower. Refer to EVAPCO's Equipment Layout Manual.
 (4) Nominal Tonnage is based on 3 gpm per ton at 95 degree entering water temperature, 85 degree leaving water temperature, and 78 degree wet-bulb temperature.

◇ Outlet connection extends beyond bottom flange.
 † Height includes fan guard which ships factory mounted.

♦ Heaviest section is upper section.

Models: AT/UT/USS 112-2K20 to 112-4P20

One-Cell Cooling Towers



Model No.	Nominal Tonnage	WEIGHTS (LBS)			Fan Motor (HP)	Air Flow (CFM)	DIMENSIONS		
		Shipping	Operating	Heaviest Section [♦]			H [†]	T [†]	P
AT 112-2K20	459	11,320	21,720	7,210	20	123,900	14' 6 1/4"	8' 4"	9' 1"
AT 112-2L20	506	11,370	21,770	7,260	25	133,000	14' 6 1/4"	8' 4"	9' 1"
AT 112-2M20	544	11,480	21,880	7,370	30	140,900	14' 6 1/4"	8' 4"	9' 1"
AT 112-2N20	625	11,740	22,140	7,630	40	154,100	14' 6 1/4"	8' 4"	9' 1"
AT 112-2O20	679	11,800	22,200	7,690	50	165,300	14' 6 1/4"	8' 4"	9' 1"
AT 112-3K20	536	12,050	22,450	7,940	20	121,800	15' 6 1/4"	9' 4"	10' 1"
AT 112-3L20	585	12,100	22,500	7,990	25	130,700	15' 6 1/4"	9' 4"	10' 1"
AT 112-3M20	623	12,210	22,610	8,100	30	138,300	15' 6 1/4"	9' 4"	10' 1"
AT 112-3N20	698	12,470	22,870	8,360	40	151,200	15' 6 1/4"	9' 4"	10' 1"
AT 112-3O20	757	12,530	22,930	8,420	50	162,100	15' 6 1/4"	9' 4"	10' 1"
AT 112-4K20	572	12,950	23,350	8,840	20	119,800	16' 6 1/4"	10' 4"	11' 1"
AT 112-4L20	618	13,000	23,400	8,890	25	128,500	16' 6 1/4"	10' 4"	11' 1"
AT 112-4M20	655	13,110	23,510	9,000	30	136,100	16' 6 1/4"	10' 4"	11' 1"
AT 112-4N20	728	13,370	23,770	9,260	40	148,800	16' 6 1/4"	10' 4"	11' 1"
AT 112-4O20	788	13,430	23,830	9,320	50	159,500	16' 6 1/4"	10' 4"	11' 1"
AT 112-4P20	817	13,540	23,940	9,430	60	169,000	16' 6 1/4"	10' 4"	11' 1"
UT Addition		1,200	1,200	1,200			1' 3-1/2"	1' 3-1/2"	

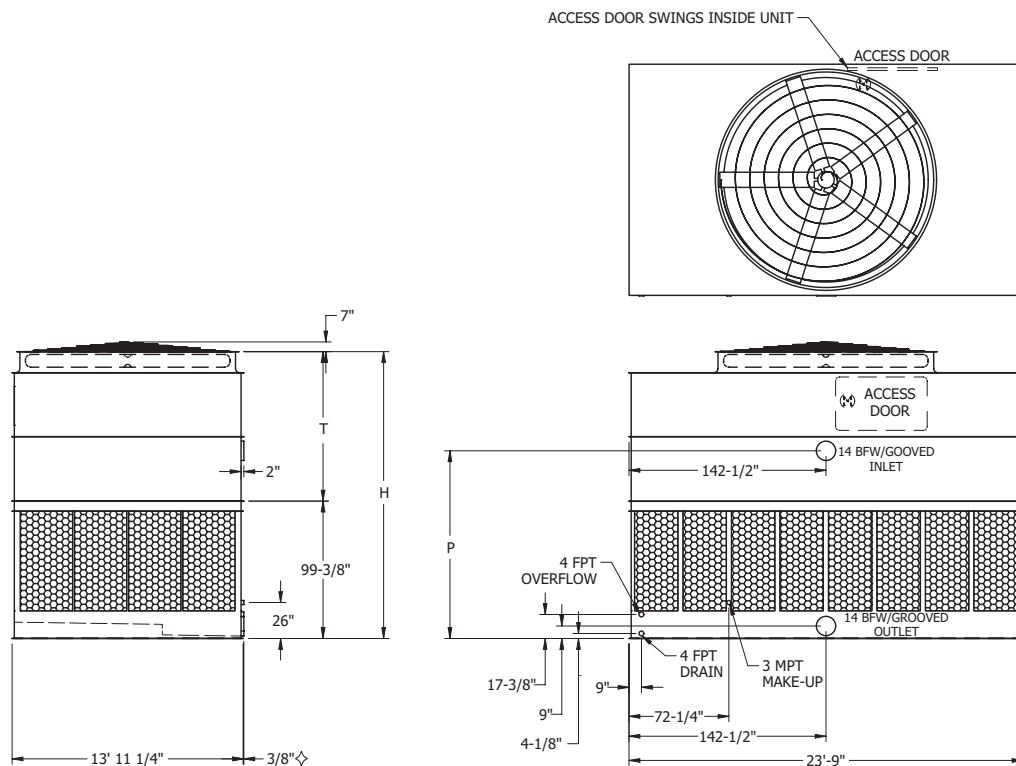
- NOTE: (1) An adequately sized bleed line must be installed in the cooling tower system to prevent build-up of impurities in the recirculated water.
 (2) Do not use catalog drawings for certified prints. Dimensions and weights are subject to change.
 (3) Adequate spacing must be allowed for access to the cooling tower. Refer to EVAPCO's Equipment Layout Manual.
 (4) Nominal Tonnage is based on 3 gpm per ton at 95 degree entering water temperature, 85 degree leaving water temperature, and 78 degree wet-bulb temperature.

◇ Outlet connection extends beyond bottom flange.
 † Height includes fan guard which ships factory mounted.

♦ Heaviest section is upper section.

Models: AT/UT/USS 114-2K24 to 114-4R24

One-Cell Cooling Towers



Model No.	Nominal Tonnage	WEIGHTS (LBS)			Fan Motor (HP)	Air Flow (CFM)	DIMENSIONS		
		Shipping	Operating	Heaviest Section [♦]			H [†]	T [†]	P
AT 114-2K24	619	16,440	32,290	10,600	20	159,500	17' 5-5/8"	9' 2-1/4"	11' 3-7/8"
AT 114-2L24	684	16,490	32,340	10,650	25	171,200	17' 5-5/8"	9' 2-1/4"	11' 3-7/8"
AT 114-2M24	722	16,510	32,360	10,670	30	181,500	17' 5-5/8"	9' 2-1/4"	11' 3-7/8"
AT 114-2N24	781	16,660	32,510	10,820	40	199,100	17' 5-5/8"	9' 2-1/4"	11' 3-7/8"
AT 114-2O24	839	17,010	32,860	11,170	50	213,800	17' 5-5/8"	9' 2-1/4"	11' 3-7/8"
AT 114-3K24	708	17,480	33,330	11,640	20	157,100	18' 5-5/8"	10' 2-1/4"	12' 3-7/8"
AT 114-3L24	775	17,530	33,380	11,690	25	168,500	18' 5-5/8"	10' 2-1/4"	12' 3-7/8"
AT 114-3M24	812	17,550	33,400	11,710	30	178,600	18' 5-5/8"	10' 2-1/4"	12' 3-7/8"
AT 114-3N24	892	17,700	33,550	11,860	40	195,500	18' 5-5/8"	10' 2-1/4"	12' 3-7/8"
AT 114-3O24	951	18,050	33,900	12,210	50	209,800	18' 5-5/8"	10' 2-1/4"	12' 3-7/8"
AT 114-3P24	1,008	18,220	34,070	12,380	60	222,100	18' 5-5/8"	10' 2-1/4"	12' 3-7/8"
AT 114-4K24	772	18,520	34,370	12,680	20	154,300	19' 5-5/8"	11' 2-1/4"	13' 3-7/8"
AT 114-4L24	834	18,570	34,420	12,730	25	165,600	19' 5-5/8"	11' 2-1/4"	13' 3-7/8"
AT 114-4M24	872	18,590	34,440	12,750	30	175,500	19' 5-5/8"	11' 2-1/4"	13' 3-7/8"
AT 114-4N24	951	18,740	34,590	12,900	40	192,300	19' 5-5/8"	11' 2-1/4"	13' 3-7/8"
AT 114-4O24	998	19,090	34,940	13,250	50	206,500	19' 5-5/8"	11' 2-1/4"	13' 3-7/8"
AT 114-4P24	1,056	19,260	35,110	13,420	60	218,600	19' 5-5/8"	11' 2-1/4"	13' 3-7/8"
AT 114-4Q24	1,135	19,500	35,350	13,660	75	234,300	19' 5-5/8"	11' 2-1/4"	13' 3-7/8"
AT 114-4R24*	1,201	19,940	35,790	14,100	100	256,700	19' 5-5/8"	11' 2-1/4"	13' 3-7/8"
UT Addition		1,250	1,250	1,250			1' 1-1/2"	1' 1-1/2"	

- NOTE: (1) An adequately sized bleed line must be installed in the cooling tower system to prevent build-up of impurities in the recirculated water.
 (2) Do not use catalog drawings for certified prints. Dimensions and weights are subject to change.
 (3) Adequate spacing must be allowed for access to the cooling tower. Refer to EVAPCO's Equipment Layout Manual.
 (4) Nominal Tonnage is based on 3 gpm per ton at 95 degree entering water temperature, 85 degree leaving water temperature, and 78 degree wet-bulb temperature.

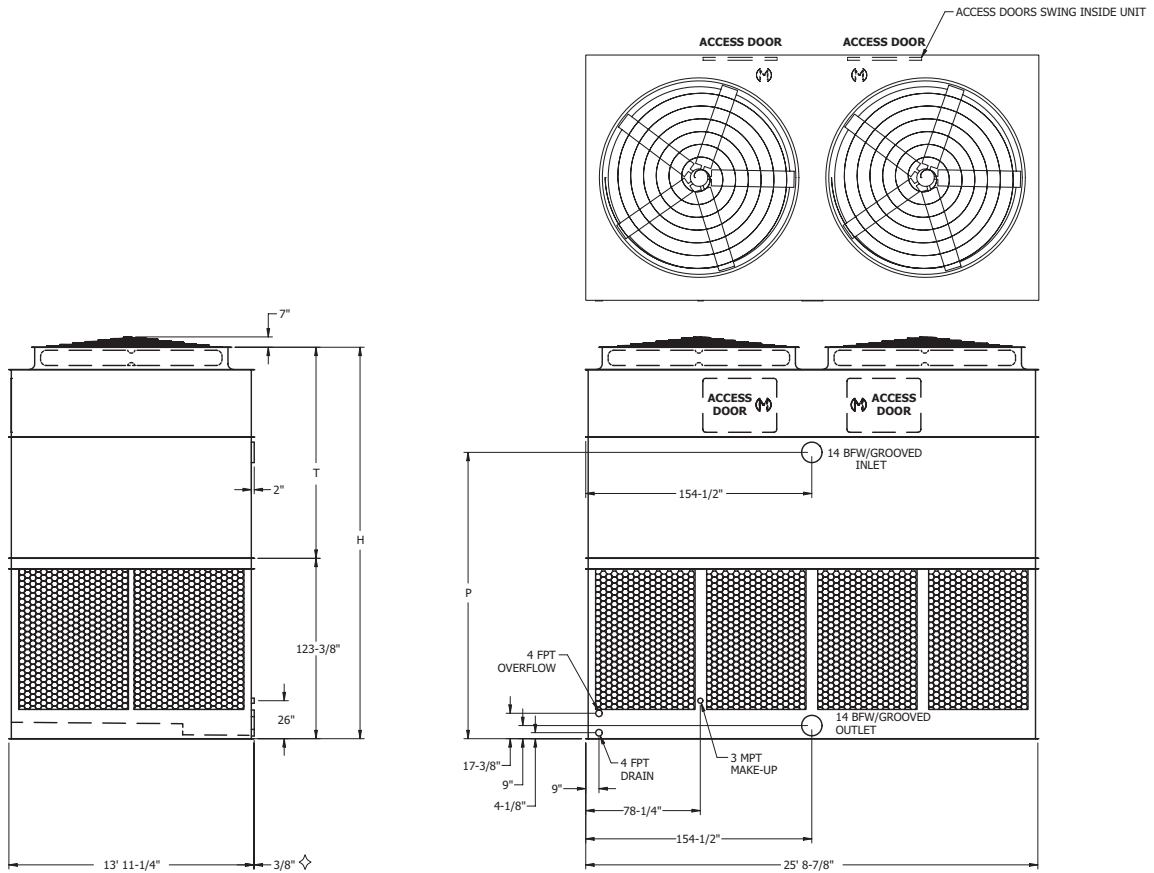
◇ Outlet connection extends beyond bottom flange.
 † Height includes fan guard which ships factory mounted.

♦ Heaviest section is upper section.

* Model available with gear drive only. Motor and access door located on 13' 11-1/4" unit end. Super Low Sound Fan is not available on this unit.

Models: AT/UT/USS 114-5K26 to 114-5O26

One-Cell Cooling Towers



Model No.	Nominal Tonnage	WEIGHTS (LBS)			Fan Motor (HP)	Air Flow (CFM)	DIMENSIONS		
		Shipping	Operating	Heaviest Section†			H†	T†	P
AT 114-5K26	1,003	24,800	41,630	17,660	(2)20	200,200	22' 3-1/2"	12' 1/8"	16' 3-3/4"
AT 114-5L26	1,078	24,860	41,690	17,720	(2)25	214,700	22' 3-1/2"	12' 1/8"	16' 3-3/4"
AT 114-5M26	1,142	24,960	41,790	17,820	(2)30	227,300	22' 3-1/2"	12' 1/8"	16' 3-3/4"
AT 114-5N26	1,247	25,280	42,110	18,140	(2)40	248,500	22' 3-1/2"	12' 1/8"	16' 3-3/4"
AT 114-5O26	1,332	25,300	42,130	18,160	(2)50	266,300	22' 3-1/2"	12' 1/8"	16' 3-3/4"
UT Addition		❖	2,400	❖			1' 3-1/2"	1' 3-1/2"	

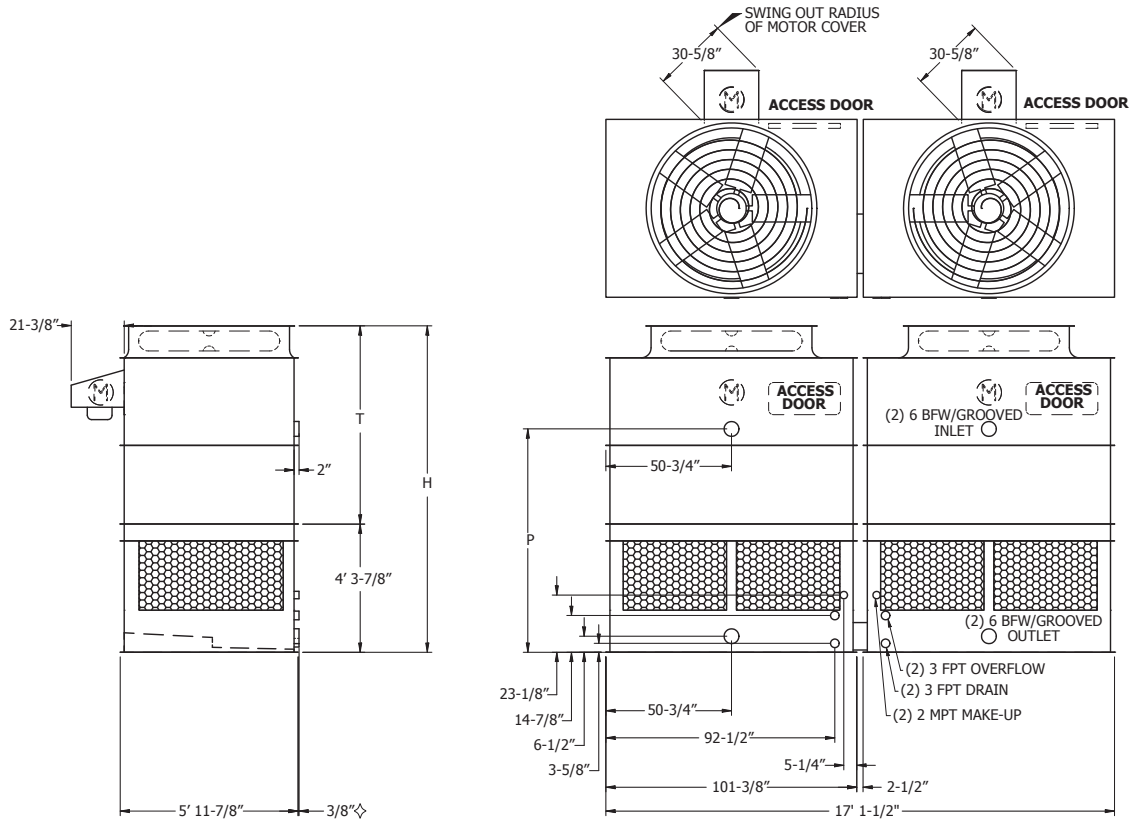
- NOTE: (1) An adequately sized bleed line must be installed in the cooling tower system to prevent build-up of impurities in the recirculated water.
 (2) Do not use catalog drawings for certified prints. Dimensions and weights are subject to change.
 (3) Adequate spacing must be allowed for access to the cooling tower. Refer to EVAPCO's Equipment Layout Manual.
 (4) Nominal Tonnage is based on 3 gpm per ton at 95 degree entering water temperature, 85 degree leaving water temperature, and 78 degree wet-bulb temperature.

◇ Outlet connection extends beyond bottom flange.
 † Height includes fan guard which ships factory mounted.

‡ Heaviest section is upper section.
 ❖ Please consult the factory for additional information regarding shipping and section weight changes.

Models: AT/UT/USS 26-2F17 to 26-4J17

Two-Cell Cooling Towers



Model No.	Nominal Tonnage	WEIGHTS (LBS)			Fan Motor (HP)	Air Flow (CFM)	DIMENSIONS		
		Shipping	Operating	Heaviest Section [‡]			H [†]	T [†]	P
AT 26-2F17	179	6,080	10,160	1,990	(2)3	45,200	10' 11-7/8"	6' 8"	7' 6"
AT 26-2G17	225	6,120	10,200	2,010	(2)5	53,100	10' 11-7/8"	6' 8"	7' 6"
AT 26-2H17	247	6,200	10,280	2,050	(2)7.5	60,500	10' 11-7/8"	6' 8"	7' 6"
AT 26-3F17	203	6,480	10,560	2,190	(2)3	44,500	11' 11-7/8"	7' 8"	8' 6"
AT 26-3G17	250	6,520	10,600	2,210	(2)5	52,300	11' 11-7/8"	7' 8"	8' 6"
AT 26-3H17	277	6,600	10,680	2,250	(2)7.5	59,400	11' 11-7/8"	7' 8"	8' 6"
AT 26-3I17	302	6,660	10,740	2,280	(2)10	65,100	11' 11-7/8"	7' 8"	8' 6"
AT 26-4F17	219	6,920	11,000	2,410	(2)3	43,800	12' 11-7/8"	8' 8"	9' 6"
AT 26-4G17	262	6,960	11,040	2,430	(2)5	51,400	12' 11-7/8"	8' 8"	9' 6"
AT 26-4H17	287	7,040	11,120	2,470	(2)7.5	58,500	12' 11-7/8"	8' 8"	9' 6"
AT 26-4I17	315	7,100	11,180	2,500	(2)10	64,000	12' 11-7/8"	8' 8"	9' 6"
AT 26-4J17	344	7,240	11,320	2,570	(2)15	72,800	12' 11-7/8"	8' 8"	9' 6"
UT Addition		300	300	150			1' 1"	1' 1"	

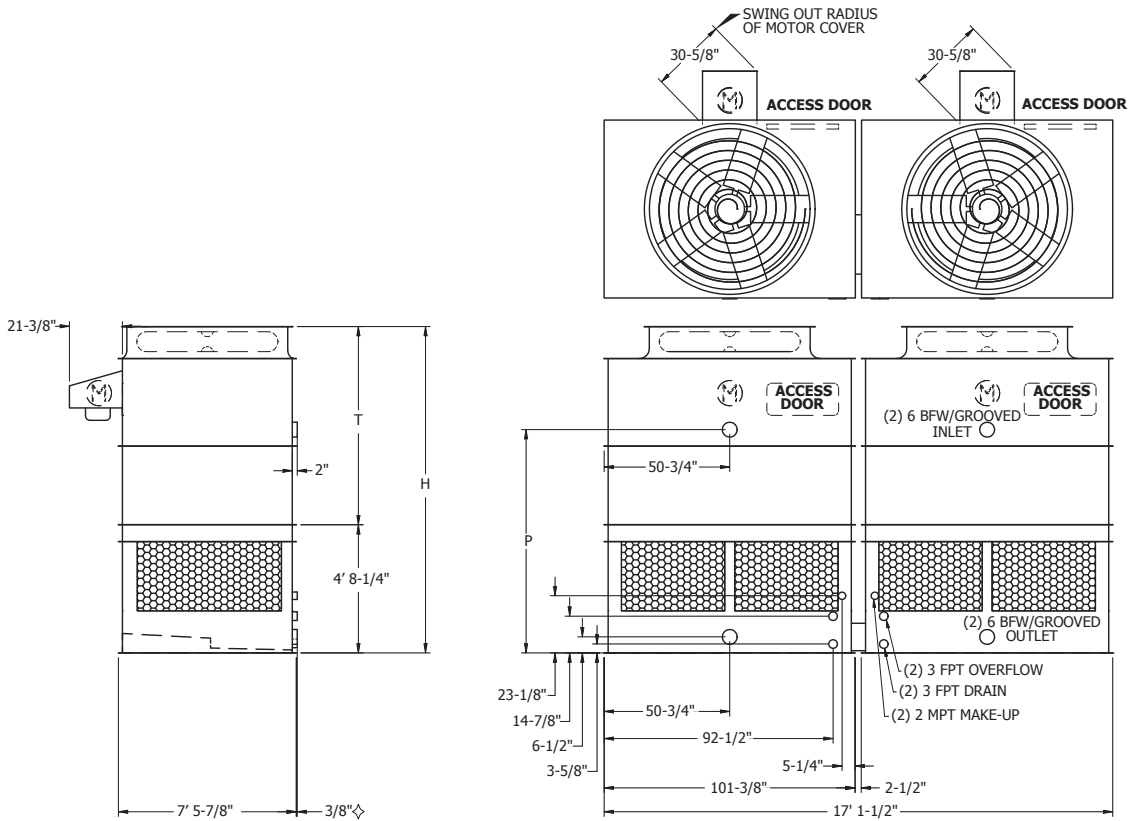
- NOTE: (1) An adequately sized bleed line must be installed in the cooling tower system to prevent build-up of impurities in the recirculated water.
 (2) Do not use catalog drawings for certified prints. Dimensions and weights are subject to change.
 (3) Adequate spacing must be allowed for access to the cooling tower. Refer to EVAPCO's Equipment Layout Manual.
 (4) Nominal Tonnage is based on 3 gpm per ton at 95 degree entering water temperature, 85 degree leaving water temperature, and 78 degree wet-bulb temperature.

◇ Outlet connection extends beyond bottom flange.
 † Height includes fan guard which ships factory mounted.

‡ Heaviest section is upper section.

Models: AT/UT/USS 28-2F17 to 28-4J17

Two-Cell Cooling Towers



Model No.	Nominal Tonnage	WEIGHTS (LBS)			Fan Motor (HP)	Air Flow (CFM)	DIMENSIONS		
		Shipping	Operating	Heaviest Section [‡]			H [†]	T [†]	P
AT 28-2F17	217	6,860	11,700	2,260	(2)3	53,200	11' 4-1/4"	6' 8"	7' 10-1/2"
AT 28-2G17	274	6,900	11,740	2,280	(2)5	62,600	11' 4-1/4"	6' 8"	7' 10-1/2"
AT 28-2H17	297	6,980	11,820	2,320	(2)7.5	71,400	11' 4-1/4"	6' 8"	7' 10-1/2"
AT 28-2I17	319	7,040	11,880	2,350	(2)10	78,300	11' 4-1/4"	6' 8"	7' 10-1/2"
AT 28-3F17	247	7,320	12,160	2,490	(2)3	52,500	12' 4-1/4"	7' 8"	8' 10-1/2"
AT 28-3G17	304	7,360	12,200	2,510	(2)5	61,600	12' 4-1/4"	7' 8"	8' 10-1/2"
AT 28-3H17	331	7,440	12,280	2,550	(2)7.5	70,200	12' 4-1/4"	7' 8"	8' 10-1/2"
AT 28-3I17	358	7,500	12,340	2,580	(2)10	76,900	12' 4-1/4"	7' 8"	8' 10-1/2"
AT 28-3J17	393	7,620	12,460	2,640	(2)15	87,500	12' 4-1/4"	7' 8"	8' 10-1/2"
AT 28-4F17	267	7,860	12,700	2,760	(2)3	51,600	13' 4-1/4"	8' 8"	9' 10-1/2"
AT 28-4G17	319	7,900	12,740	2,780	(2)5	60,600	13' 4-1/4"	8' 8"	9' 10-1/2"
AT 28-4H17	346	7,980	12,820	2,820	(2)7.5	69,100	13' 4-1/4"	8' 8"	9' 10-1/2"
AT 28-4I17	373	8,040	12,880	2,850	(2)10	75,700	13' 4-1/4"	8' 8"	9' 10-1/2"
AT 28-4J17	414	8,160	13,000	2,910	(2)15	86,000	13' 4-1/4"	8' 8"	9' 10-1/2"
UT Addition		300	300	150			1' 5"	1' 5"	

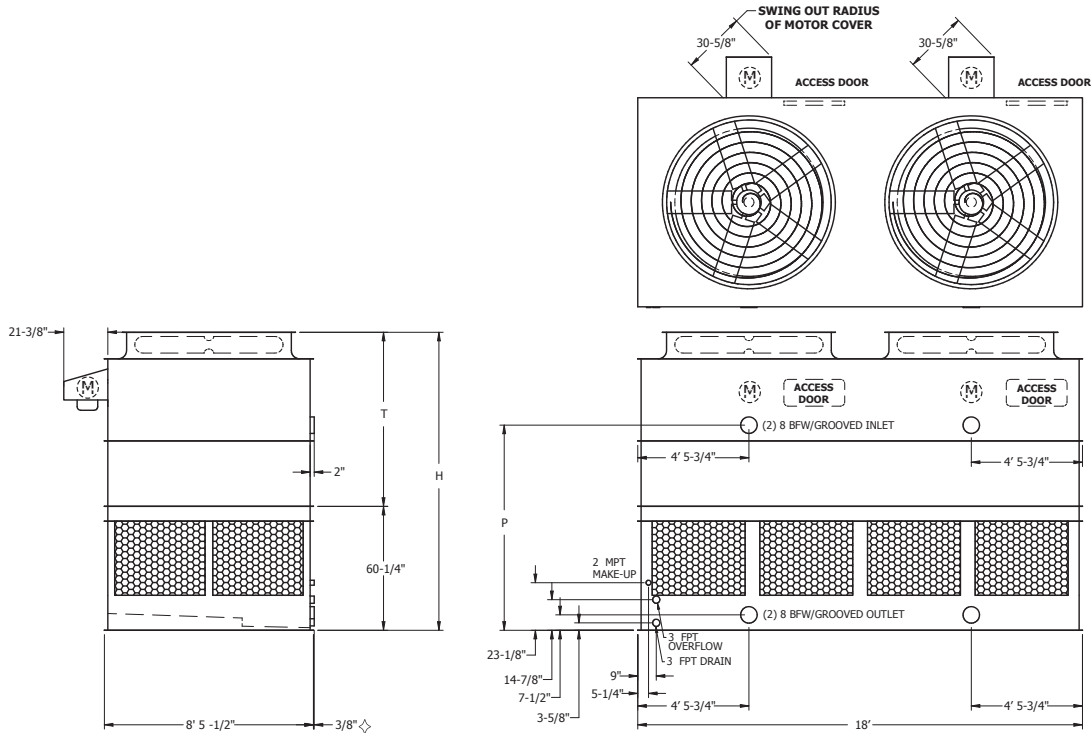
- NOTE: (1) An adequately sized bleed line must be installed in the cooling tower system to prevent build-up of impurities in the recirculated water.
 (2) Do not use catalog drawings for certified prints. Dimensions and weights are subject to change.
 (3) Adequate spacing must be allowed for access to the cooling tower. Refer to EVAPCO's Equipment Layout Manual.
 (4) Nominal Tonnage is based on 3 gpm per ton at 95 degree entering water temperature, 85 degree leaving water temperature, and 78 degree wet-bulb temperature.

◇ Outlet connection extends beyond bottom flange.
 † Height includes fan guard which ships factory mounted.

‡ Heaviest section is upper section.

Models: AT/UT/USS 29-2G18 to 29-4K18

Two-Cell Cooling Towers



Model No.	Nominal Tonnage	WEIGHTS (LBS)			Fan Motor (HP)	Air Flow (CFM)	DIMENSIONS		
		Shipping	Operating	Heaviest Section [‡]			H [†]	T [†]	P
AT 29-2G18	274	7,840	13,730	5,290	(2)5	72,000	12' 3/4"	7' 1/2"	8' 3-1/2"
AT 29-2H18	329	7,920	13,810	5,370	(2)7.5	81,900	12' 3/4"	7' 1/2"	8' 3-1/2"
AT 29-2I18	362	7,980	13,870	5,430	(2)10	89,800	12' 3/4"	7' 1/2"	8' 3-1/2"
AT 29-2J18	422	8,120	14,010	5,570	(2)15	102,000	12' 3/4"	7' 1/2"	8' 3-1/2"
AT 29-3G18	312	8,370	14,260	5,820	(2)5	70,900	13' 3/4"	8' 1/2"	9' 3-1/2"
AT 29-3H18	368	8,450	14,340	5,900	(2)7.5	80,600	13' 3/4"	8' 1/2"	9' 3-1/2"
AT 29-3I18	404	8,510	14,400	5,960	(2)10	88,200	13' 3/4"	8' 1/2"	9' 3-1/2"
AT 29-3J18	471	8,650	14,540	6,100	(2)15	100,000	13' 3/4"	8' 1/2"	9' 3-1/2"
AT 29-4G18	335	8,950	14,840	6,400	(2)5	69,700	14' 3/4"	9' 1/2"	10' 3-1/2"
AT 29-4H18	387	9,030	14,920	6,480	(2)7.5	79,300	14' 3/4"	9' 1/2"	10' 3-1/2"
AT 29-4I18	425	9,090	14,980	6,540	(2)10	86,800	14' 3/4"	9' 1/2"	10' 3-1/2"
AT 29-4J18	491	9,230	15,120	6,680	(2)15	98,400	14' 3/4"	9' 1/2"	10' 3-1/2"
AT 29-4K18	538	9,330	15,220	6,780	(2)20	107,600	14' 3/4"	9' 1/2"	10' 3-1/2"
UT Addition		300	300	300			1' 9"	1' 9"	

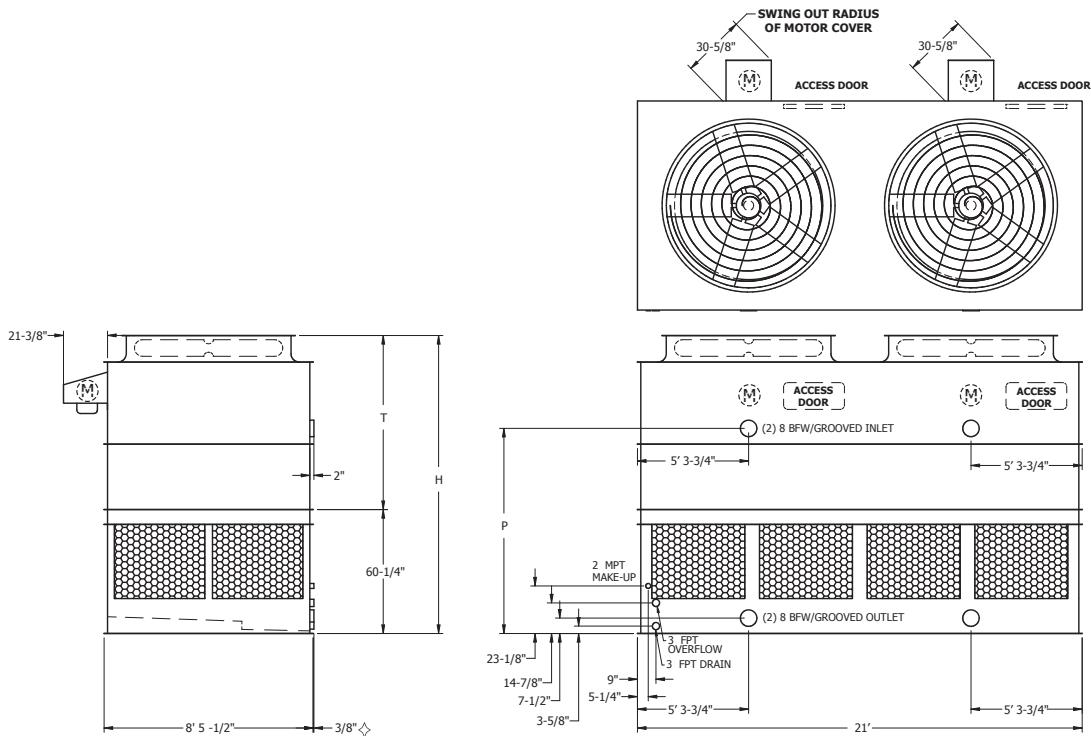
- NOTE: (1) An adequately sized bleed line must be installed in the cooling tower system to prevent build-up of impurities in the recirculated water.
 (2) Do not use catalog drawings for certified prints. Dimensions and weights are subject to change.
 (3) Adequate spacing must be allowed for access to the cooling tower. Refer to EVAPCO's Equipment Layout Manual.
 (4) Nominal Tonnage is based on 3 gpm per ton at 95 degree entering water temperature, 85 degree leaving water temperature, and 78 degree wet-bulb temperature.

◇ Outlet connection extends beyond bottom flange.
 † Height includes fan guard which ships factory mounted.

‡ Heaviest section is upper section.

Models: AT/UT/USS 29-2G21 to 29-4L21

Two-Cell Cooling Towers



Model No.	Nominal Tonnage	WEIGHTS (LBS)			Fan Motor (HP)	Air Flow (CFM)	DIMENSIONS		
		Shipping	Operating	Heaviest Section [†]			H [†]	T [†]	P
AT 29-2G21	315	8,920	15,860	6,130	(2)5	80,700	12' 3/4"	7' 1/2"	8' 3-1/2"
AT 29-2H21	379	9,000	15,940	6,210	(2)7.5	91,800	12' 3/4"	7' 1/2"	8' 3-1/2"
AT 29-2I21	408	9,060	16,000	6,270	(2)10	100,700	12' 3/4"	7' 1/2"	8' 3-1/2"
AT 29-2J21	467	9,200	16,140	6,410	(2)15	114,600	12' 3/4"	7' 1/2"	8' 3-1/2"
AT 29-3G21	347	9,530	16,470	6,740	(2)5	79,600	13' 3/4"	8' 1/2"	9' 3-1/2"
AT 29-3H21	410	9,610	16,550	6,820	(2)7.5	90,500	13' 3/4"	8' 1/2"	9' 3-1/2"
AT 29-3I21	448	9,670	16,610	6,880	(2)10	99,100	13' 3/4"	8' 1/2"	9' 3-1/2"
AT 29-3J21	518	9,810	16,750	7,020	(2)15	112,500	13' 3/4"	8' 1/2"	9' 3-1/2"
AT 29-3K21	578	9,910	16,850	7,120	(2)20	123,000	13' 3/4"	8' 1/2"	9' 3-1/2"
AT 29-4G21	383	10,190	17,130	7,400	(2)5	78,200	14' 3/4"	9' 1/2"	10' 3-1/2"
AT 29-4H21	445	10,270	17,210	7,480	(2)7.5	88,900	14' 3/4"	9' 1/2"	10' 3-1/2"
AT 29-4I21	482	10,330	17,270	7,540	(2)10	97,400	14' 3/4"	9' 1/2"	10' 3-1/2"
AT 29-4J21	547	10,470	17,410	7,680	(2)15	110,600	14' 3/4"	9' 1/2"	10' 3-1/2"
AT 29-4K21	604	10,570	17,510	7,780	(2)20	120,900	14' 3/4"	9' 1/2"	10' 3-1/2"
AT 29-4L21	636	10,630	17,570	7,840	(2)25	129,700	14' 3/4"	9' 1/2"	10' 3-1/2"
UT Addition		300	300	300			1' 9"	1' 9"	

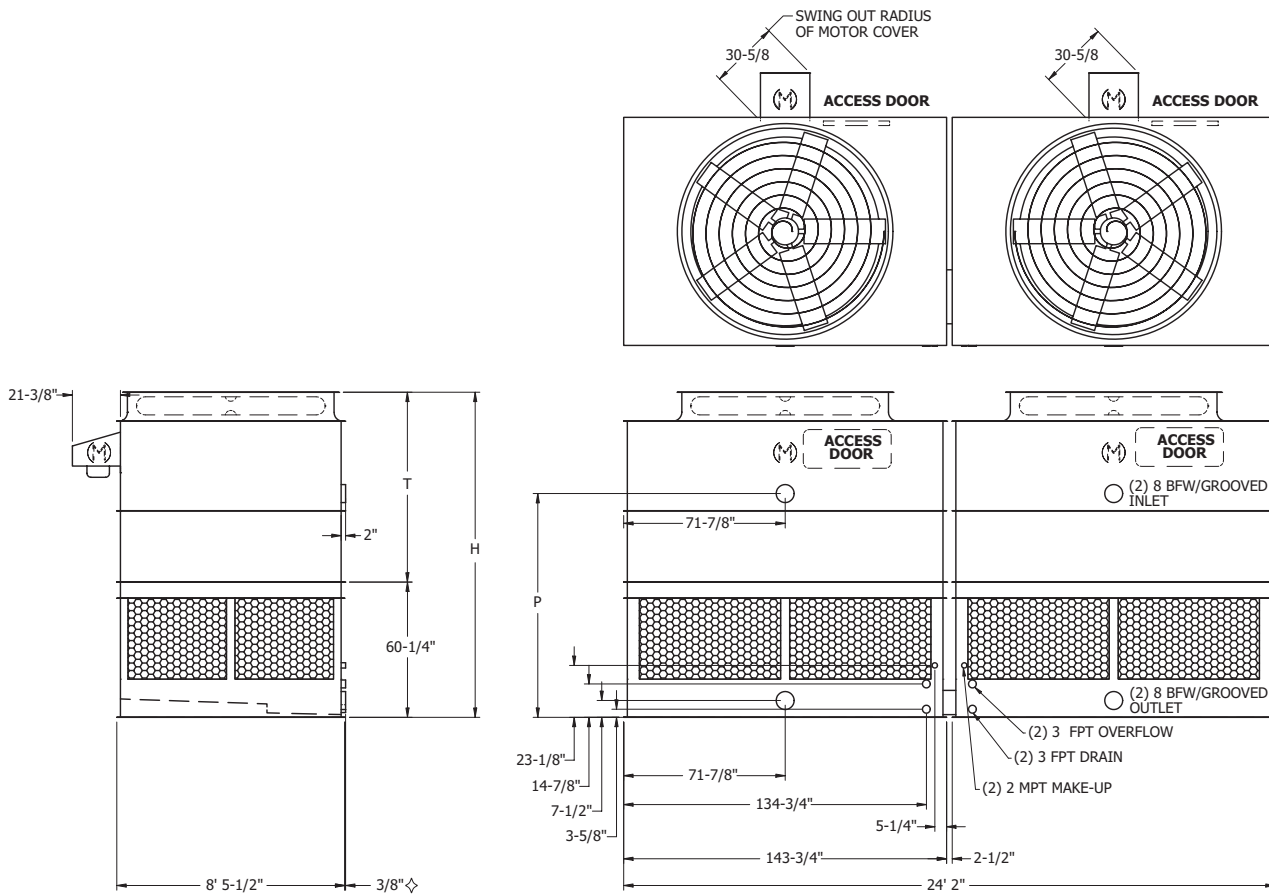
- NOTE: (1) An adequately sized bleed line must be installed in the cooling tower system to prevent build-up of impurities in the recirculated water.
 (2) Do not use catalog drawings for certified prints. Dimensions and weights are subject to change.
 (3) Adequate spacing must be allowed for access to the cooling tower. Refer to EVAPCO's Equipment Layout Manual.
 (4) Nominal Tonnage is based on 3 gpm per ton at 95 degree entering water temperature, 85 degree leaving water temperature, and 78 degree wet-bulb temperature.

◇ Outlet connection extends beyond bottom flange.
 † Height includes fan guard which ships factory mounted.

◆ Heaviest section is upper section.

Models: AT/UT/USS 29-2H24 to 29-4M24

Two-Cell Cooling Towers



Model No.	Nominal Tonnage	WEIGHTS (LBS)			Fan Motor (HP)	Air Flow (CFM)	DIMENSIONS		
		Shipping	Operating	Heaviest Section [‡]			H [†]	T [†]	P
AT 29-2H24	400	10,140	17,860	3,430	(2)7.5	100,100	12' 3/4"	7' 1/2"	8' 3-1/2"
AT 29-2I24	454	10,200	17,920	3,460	(2)10	109,700	12' 3/4"	7' 1/2"	8' 3-1/2"
AT 29-2J24	507	10,360	18,080	3,540	(2)15	124,900	12' 3/4"	7' 1/2"	8' 3-1/2"
AT 29-2K24	559	10,440	18,160	3,580	(2)20	136,800	12' 3/4"	7' 1/2"	8' 3-1/2"
AT 29-3H24	452	10,860	18,580	3,790	(2)7.5	98,600	13' 3/4"	8' 1/2"	9' 3-1/2"
AT 29-3I24	506	10,920	18,640	3,820	(2)10	107,900	13' 3/4"	8' 1/2"	9' 3-1/2"
AT 29-3J24	571	11,080	18,800	3,900	(2)15	122,600	13' 3/4"	8' 1/2"	9' 3-1/2"
AT 29-3K24	630	11,160	18,880	3,940	(2)20	134,100	13' 3/4"	8' 1/2"	9' 3-1/2"
AT 29-3L24	674	11,200	18,920	3,960	(2)25	144,000	13' 3/4"	8' 1/2"	9' 3-1/2"
AT 29-4H24	481	11,640	19,360	4,180	(2)7.5	96,900	14' 3/4"	9' 1/2"	10' 3-1/2"
AT 29-4I24	531	11,700	19,420	4,210	(2)10	106,200	14' 3/4"	9' 1/2"	10' 3-1/2"
AT 29-4J24	593	11,860	19,580	4,290	(2)15	120,700	14' 3/4"	9' 1/2"	10' 3-1/2"
AT 29-4K24	653	11,940	19,660	4,330	(2)20	132,000	14' 3/4"	9' 1/2"	10' 3-1/2"
AT 29-4L24	696	11,980	19,700	4,350	(2)25	141,500	14' 3/4"	9' 1/2"	10' 3-1/2"
AT 29-4M24	718	12,020	19,740	4,370	(2)30	150,000	14' 3/4"	9' 1/2"	10' 3-1/2"
UT Addition		300	300	150			1' 9"	1' 9"	

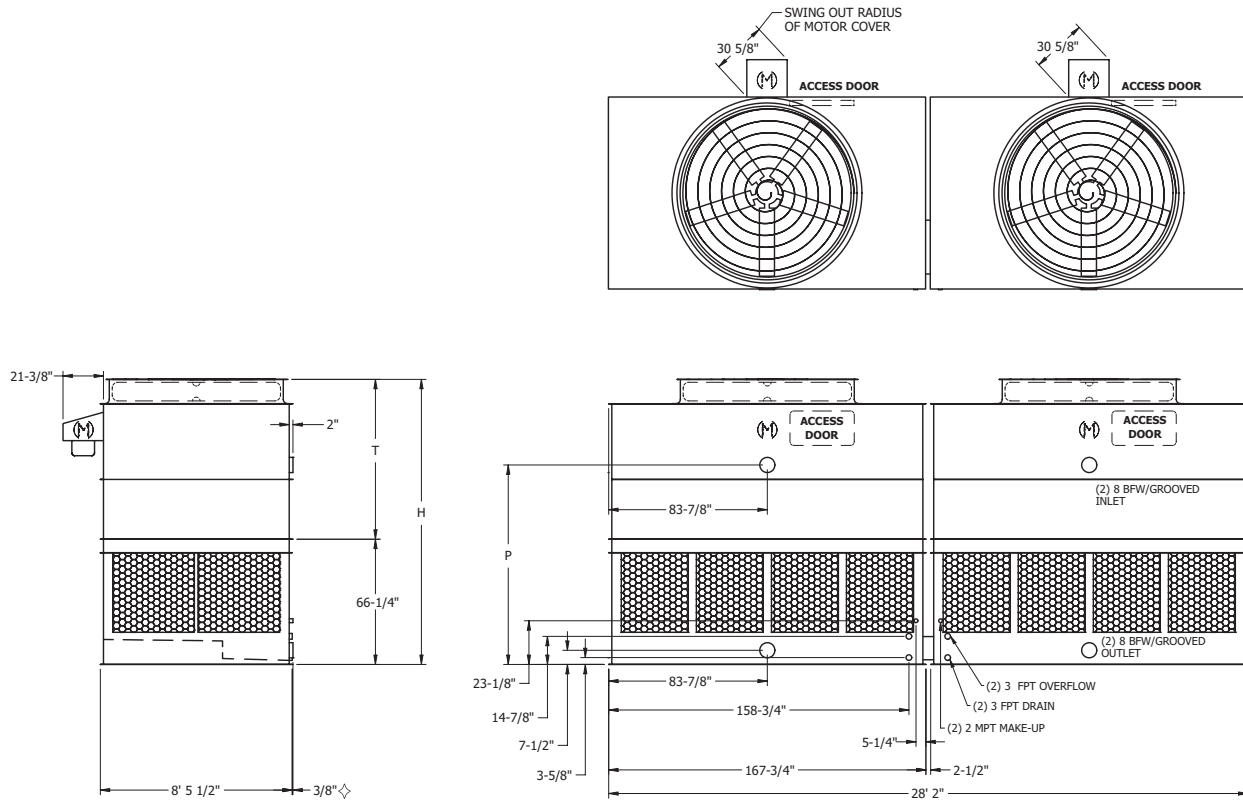
- NOTE: (1) An adequately sized bleed line must be installed in the cooling tower system to prevent build-up of impurities in the recirculated water.
 (2) Do not use catalog drawings for certified prints. Dimensions and weights are subject to change.
 (3) Adequate spacing must be allowed for access to the cooling tower. Refer to EVAPCO's Equipment Layout Manual.
 (4) Nominal Tonnage is based on 3 gpm per ton at 95 degree entering water temperature, 85 degree leaving water temperature, and 78 degree wet-bulb temperature.

◇ Outlet connection extends beyond bottom flange.
 † Height includes fan guard which ships factory mounted.

‡ Heaviest section is upper section.

Models: AT/UT/USS 29-2H28 to 29-4M28

Two-Cell Cooling Towers



Model No.	Nominal Tonnage	WEIGHTS (LBS)			Fan Motor (HP)	Air Flow (CFM)	DIMENSIONS		
		Shipping	Operating	Heaviest Section†			H†	T†	P
AT 29-2H28	446	11,140	20,160	3,680	(2)7.5	112,300	12' 6-3/4"	7' 1/2"	8' 9-1/2"
AT 29-2I28	506	11,200	20,220	3,710	(2)10	123,000	12' 6-3/4"	7' 1/2"	8' 9-1/2"
AT 29-2J28	563	11,360	20,380	3,790	(2)15	140,200	12' 6-3/4"	7' 1/2"	8' 9-1/2"
AT 29-2K28	622	11,440	20,460	3,830	(2)20	153,600	12' 6-3/4"	7' 1/2"	8' 9-1/2"
AT 29-2L28	678	11,480	20,500	3,850	(2)25	164,700	12' 6-3/4"	7' 1/2"	8' 9-1/2"
AT 29-3H28	502	11,960	20,980	4,090	(2)7.5	110,700	13' 6-3/4"	8' 1/2"	9' 9-1/2"
AT 29-3I28	563	12,020	21,040	4,120	(2)10	121,100	13' 6-3/4"	8' 1/2"	9' 9-1/2"
AT 29-3J28	633	12,180	21,200	4,200	(2)15	137,700	13' 6-3/4"	8' 1/2"	9' 9-1/2"
AT 29-3K28	698	12,260	21,280	4,240	(2)20	150,600	13' 6-3/4"	8' 1/2"	9' 9-1/2"
AT 29-3L28	757	12,300	21,320	4,260	(2)25	161,500	13' 6-3/4"	8' 1/2"	9' 9-1/2"
AT 29-3M28	802	12,340	21,360	4,280	(2)30	171,200	13' 6-3/4"	8' 1/2"	9' 9-1/2"
AT 29-4H28	535	12,860	21,880	4,540	(2)7.5	108,800	14' 6-3/4"	9' 1/2"	10' 9-1/2"
AT 29-4I28	592	12,920	21,940	4,570	(2)10	119,200	14' 6-3/4"	9' 1/2"	10' 9-1/2"
AT 29-4J28	661	13,080	22,100	4,650	(2)15	135,600	14' 6-3/4"	9' 1/2"	10' 9-1/2"
AT 29-4K28	726	13,160	22,180	4,690	(2)20	148,300	14' 6-3/4"	9' 1/2"	10' 9-1/2"
AT 29-4L28	787	13,200	22,220	4,710	(2)25	158,900	14' 6-3/4"	9' 1/2"	10' 9-1/2"
AT 29-4M28	830	13,240	22,260	4,730	(2)30	168,100	14' 6-3/4"	9' 1/2"	10' 9-1/2"
UT Addition		300	300	150			1' 9"	1' 9"	

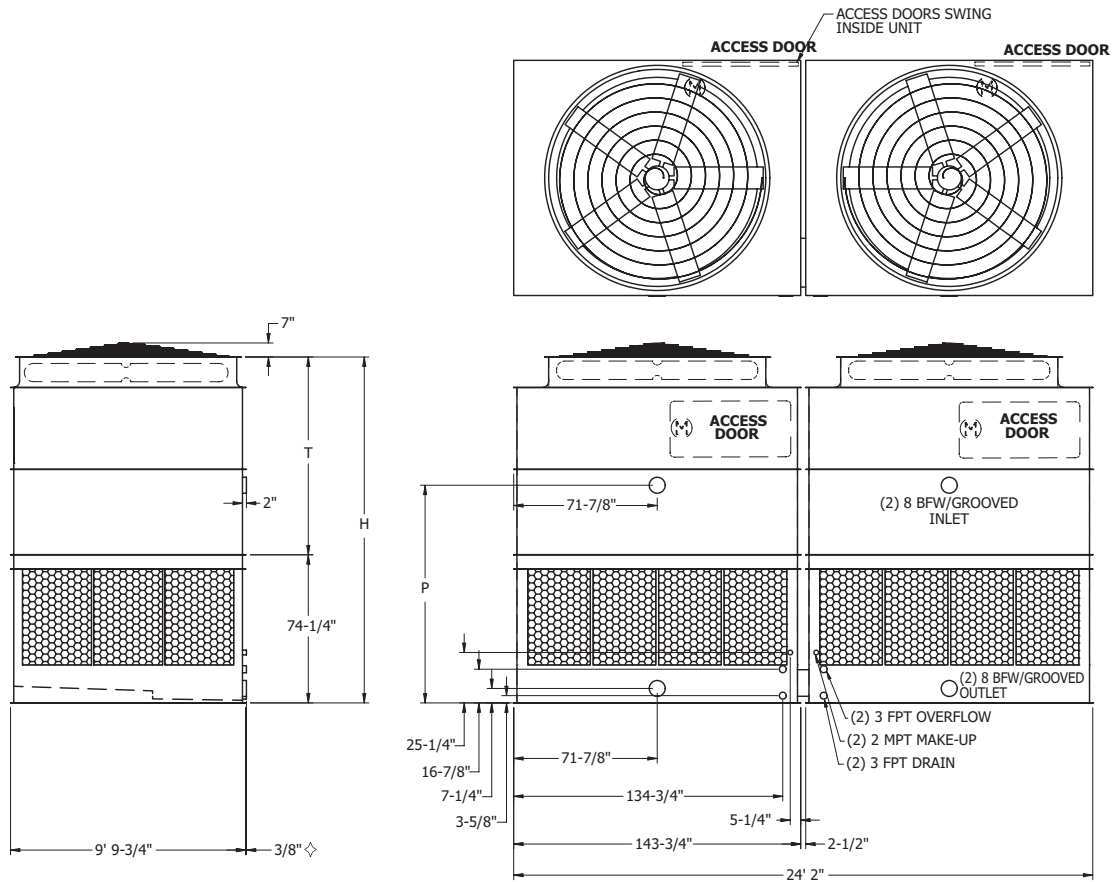
- NOTE: (1) An adequately sized bleed line must be installed in the cooling tower system to prevent build-up of impurities in the recirculated water.
 (2) Do not use catalog drawings for certified prints. Dimensions and weights are subject to change.
 (3) Adequate spacing must be allowed for access to the cooling tower. Refer to EVAPCO's Equipment Layout Manual.
 (4) Nominal Tonnage is based on 3 gpm per ton at 95 degree entering water temperature, 85 degree leaving water temperature, and 78 degree wet-bulb temperature.

◇ Outlet connection extends beyond bottom flange.
 † Height includes fan guard which ships factory mounted.

◆ Heaviest section is upper section.

Models: AT/UT/USS 210-2124 to 210-4N24

Two-Cell Cooling Towers



Model No.	Nominal Tonnage	WEIGHTS (LBS)			Fan Motor (HP)	Air Flow (CFM)	DIMENSIONS		
		Shipping	Operating	Heaviest Section†			H†	T†	P
AT 210-2124	455	12,760	23,840	4,200	(2)10	129,400	14' 5-1/4"	8' 3"	9' 1"
AT 210-2J24	553	12,900	23,980	4,270	(2)15	147,000	14' 5-1/4"	8' 3"	9' 1"
AT 210-2K24	611	13,000	24,080	4,320	(2)20	161,100	14' 5-1/4"	8' 3"	9' 1"
AT 210-2L24	651	13,100	24,180	4,370	(2)25	173,000	14' 5-1/4"	8' 3"	9' 1"
AT 210-2M24	684	13,300	24,380	4,470	(2)30	183,300	14' 5-1/4"	8' 3"	9' 1"
AT 210-3I24	529	13,720	24,800	4,680	(2)10	127,300	15' 5-1/4"	9' 3"	10' 1"
AT 210-3J24	618	13,860	24,940	4,750	(2)15	144,500	15' 5-1/4"	9' 3"	10' 1"
AT 210-3K24	676	13,960	25,040	4,800	(2)20	158,200	15' 5-1/4"	9' 3"	10' 1"
AT 210-3L24	722	14,060	25,140	4,850	(2)25	169,700	15' 5-1/4"	9' 3"	10' 1"
AT 210-3M24	760	14,260	25,340	4,950	(2)30	179,800	15' 5-1/4"	9' 3"	10' 1"
AT 210-4I24	555	14,560	25,640	5,100	(2)10	125,300	16' 5-1/4"	10' 3"	11' 1"
AT 210-4J24	644	14,700	25,780	5,170	(2)15	142,300	16' 5-1/4"	10' 3"	11' 1"
AT 210-4K24	701	14,800	25,880	5,220	(2)20	155,800	16' 5-1/4"	10' 3"	11' 1"
AT 210-4L24	746	14,900	25,980	5,270	(2)25	167,100	16' 5-1/4"	10' 3"	11' 1"
AT 210-4M24	785	15,100	26,180	5,370	(2)30	176,900	16' 5-1/4"	10' 3"	11' 1"
AT 210-4N24	820	15,600	26,680	5,620	(2)40	185,600	16' 5-1/4"	10' 3"	11' 1"
UT Addition		1,400	1,400	700			1' 9-1/2"	1' 9-1/2"	

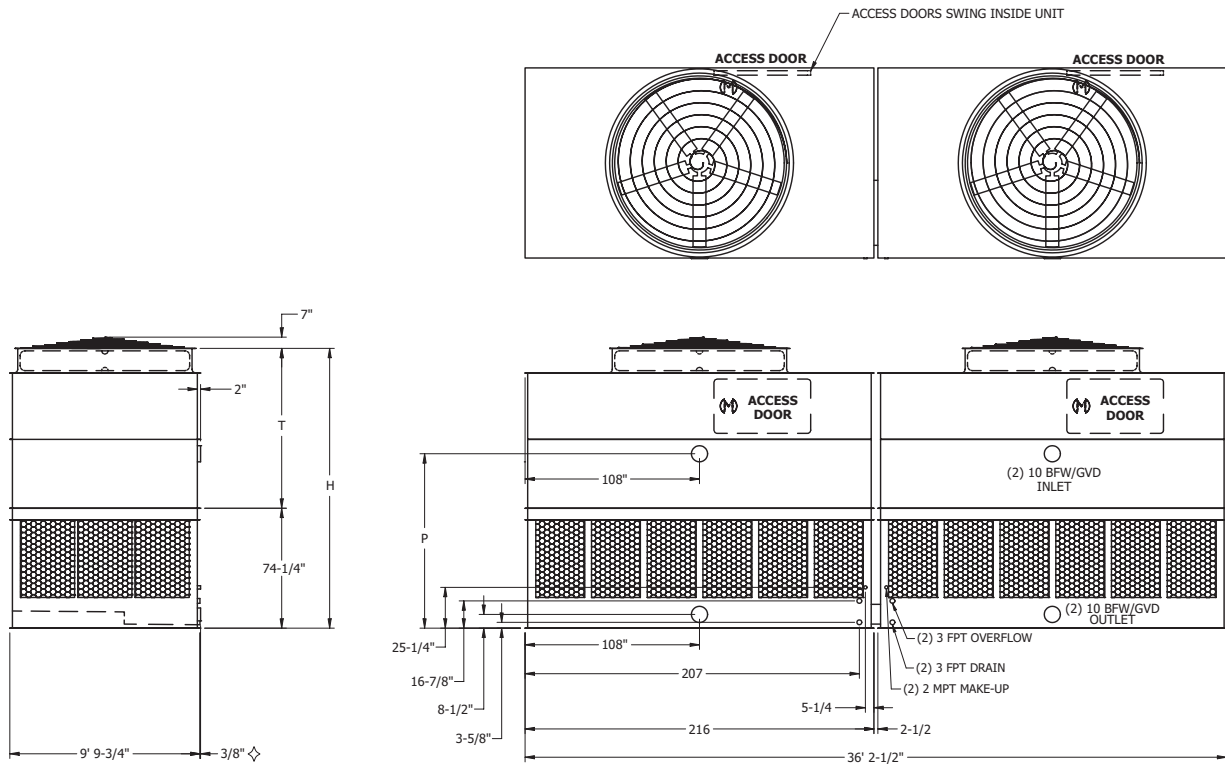
- NOTE: (1) An adequately sized bleed line must be installed in the cooling tower system to prevent build-up of impurities in the recirculated water.
 (2) Do not use catalog drawings for certified prints. Dimensions and weights are subject to change.
 (3) Adequate spacing must be allowed for access to the cooling tower. Refer to EVAPCO's Equipment Layout Manual.
 (4) Nominal Tonnage is based on 3 gpm per ton at 95 degree entering water temperature, 85 degree leaving water temperature, and 78 degree wet-bulb temperature.

◇ Outlet connection extends beyond bottom flange.
 † Height includes fan guard which ships factory mounted.

◆ Heaviest section is upper section.

Models: AT/UT/USS 210-2I36 to 210-4N36

Two-Cell Cooling Towers



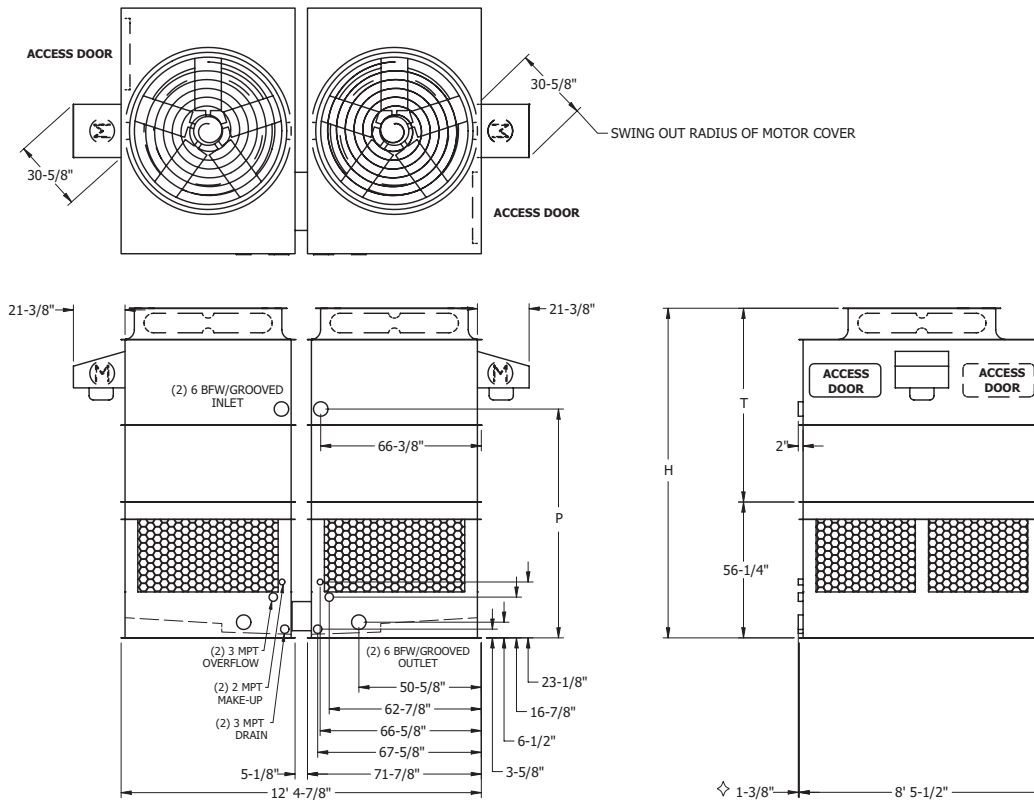
Model No.	Nominal Tonnage	WEIGHTS (LBS)			Fan Motor (HP)	Air Flow (CFM)	DIMENSIONS		
		Shipping	Operating	Heaviest Section†			H†	T†	P
AT 210-2I36	580	17,960	34,770	5,640	(2)10	172,000	14' 5-1/4"	8' 3"	9' 0"
AT 210-2J36	701	18,100	34,910	5,710	(2)15	195,600	14' 5-1/4"	8' 3"	9' 0"
AT 210-2K36	779	18,200	35,010	5,760	(2)20	214,400	14' 5-1/4"	8' 3"	9' 0"
AT 210-2L36	840	18,300	35,110	5,810	(2)25	230,200	14' 5-1/4"	8' 3"	9' 0"
AT 210-2M36	890	18,500	35,310	5,910	(2)30	244,000	14' 5-1/4"	8' 3"	9' 0"
AT 210-3I36	667	19,340	36,150	6,330	(2)10	169,400	15' 5-1/4"	9' 3"	10' 0"
AT 210-3J36	790	19,480	36,290	6,400	(2)15	192,600	15' 5-1/4"	9' 3"	10' 0"
AT 210-3K36	873	19,580	36,390	6,450	(2)20	210,900	15' 5-1/4"	9' 3"	10' 0"
AT 210-3L36	941	19,680	36,490	6,500	(2)25	226,200	15' 5-1/4"	9' 3"	10' 0"
AT 210-3M36	997	19,880	36,690	6,600	(2)30	239,500	15' 5-1/4"	9' 3"	10' 0"
AT 210-3N36	1,093	20,380	37,190	6,850	(2)40	262,100	15' 5-1/4"	9' 3"	10' 0"
AT 210-4I36	727	20,600	37,410	6,960	(2)10	166,500	16' 5-1/4"	10' 3"	11' 0"
AT 210-4J36	839	20,740	37,550	7,030	(2)15	189,400	16' 5-1/4"	10' 3"	11' 0"
AT 210-4K36	921	20,840	37,650	7,080	(2)20	207,500	16' 5-1/4"	10' 3"	11' 0"
AT 210-4L36	987	20,940	37,750	7,130	(2)25	222,600	16' 5-1/4"	10' 3"	11' 0"
AT 210-4M36	1,044	21,140	37,950	7,230	(2)30	235,700	16' 5-1/4"	10' 3"	11' 0"
AT 210-4N36	1,140	21,640	38,450	7,480	(2)40	257,900	16' 5-1/4"	10' 3"	11' 0"
UT Addition		1,400	1,400	700			1' 9-1/2"	1' 9-1/2"	

- NOTE: (1) An adequately sized bleed line must be installed in the cooling tower system to prevent build-up of impurities in the recirculated water.
 (2) Do not use catalog drawings for certified prints. Dimensions and weights are subject to change.
 (3) Adequate spacing must be allowed for access to the cooling tower. Refer to EVAPCO's Equipment Layout Manual.
 (4) Nominal Tonnage is based on 3 gpm per ton at 95 degree entering water temperature, 85 degree leaving water temperature, and 78 degree wet-bulb temperature.

- ◇ Outlet connection extends beyond bottom flange.
 † Heaviest section is upper section.
 † Height includes fan guard which ships factory mounted.

Models: AT/UT/USS 212-4F9 to 212-4J9

Two-Cell Cooling Towers



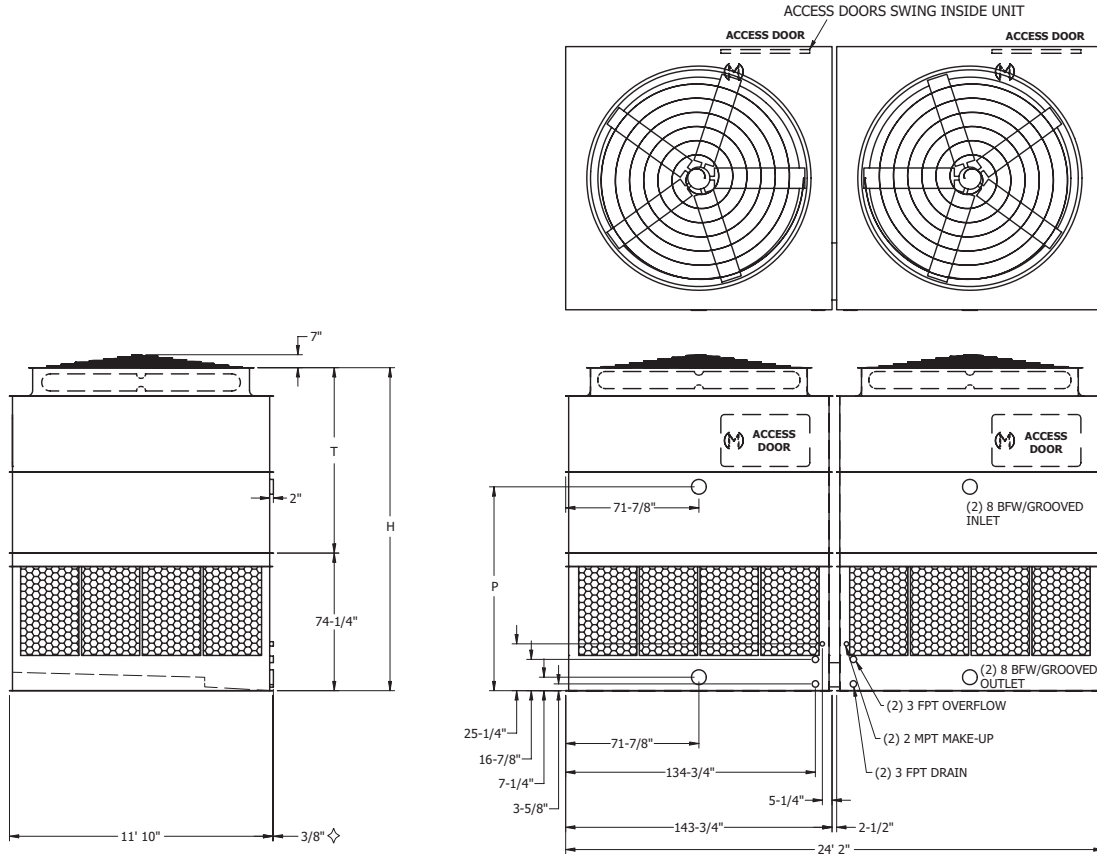
Model No.	Nominal Tonnage	WEIGHTS (LBS)			Fan Motor (HP)	Air Flow (CFM)	DIMENSIONS		
		Shipping	Operating	Heaviest Section [‡]			H [†]	T [†]	P
AT 212-2F9	179	6,080	10,160	1,990	(2)3	45,200	11' 4-1/4"	6' 8"	7' 10-1/2"
AT 212-2G9	225	6,120	10,200	2,010	(2)5	53,100	11' 4-1/4"	6' 8"	7' 10-1/2"
AT 212-2H9	247	6,200	10,280	2,050	(2)7.5	60,500	11' 4-1/4"	6' 8"	7' 10-1/2"
AT 212-3F9	203	6,480	10,560	2,190	(2)3	44,500	12' 4-1/4"	7' 8"	8' 10-1/2"
AT 212-3G9	250	6,520	10,600	2,210	(2)5	52,300	12' 4-1/4"	7' 8"	8' 10-1/2"
AT 212-3H9	277	6,600	10,680	2,250	(2)7.5	59,400	12' 4-1/4"	7' 8"	8' 10-1/2"
AT 212-3I9	302	6,660	10,740	2,280	(2)10	65,100	12' 4-1/4"	7' 8"	8' 10-1/2"
AT 212-4F9	219	6,920	11,000	2,410	(2)3	43,800	13' 4-1/4"	8' 8"	9' 10-1/2"
AT 212-4G9	262	6,960	11,040	2,430	(2)5	51,400	13' 4-1/4"	8' 8"	9' 10-1/2"
AT 212-4H9	287	7,040	11,120	2,470	(2)7.5	58,500	13' 4-1/4"	8' 8"	9' 10-1/2"
AT 212-4I9	315	7,100	11,180	2,500	(2)10	64,000	13' 4-1/4"	8' 8"	9' 10-1/2"
AT 212-4J9	344	7,240	11,320	2,570	(2)15	72,800	13' 4-1/4"	8' 8"	9' 10-1/2"
UT Addition		300	300	150			1' 1"	1' 1"	

- NOTE: (1) An adequately sized bleed line must be installed in the cooling tower system to prevent build-up of impurities in the recirculated water.
 (2) Do not use catalog drawings for certified prints. Dimensions and weights are subject to change.
 (3) Adequate spacing must be allowed for access to the cooling tower. Refer to EVAPCO's Equipment Layout Manual.
 (4) Nominal Tonnage is based on 3 gpm per ton at 95 degree entering water temperature, 85 degree leaving water temperature, and 78 degree wet-bulb temperature.

- ◇ Outlet connection extends beyond bottom flange.
 ‡ Heaviest section is upper section.
 † Height includes fan guard which ships factory mounted.

Models: AT/UT/USS 212-2124 to 212-4N24

Two-Cell Cooling Towers



Model No.	Nominal Tonnage	WEIGHTS (LBS)			Fan Motor (HP)	Air Flow (CFM)	DIMENSIONS		
		Shipping	Operating	Heaviest Section [‡]			H [†]	T [†]	P
AT 212-2124	560	14,800	27,220	4,860	(2)10	143,100	14' 6-1/4"	8' 4"	9' 2"
AT 212-2J24	667	15,080	27,500	5,000	(2)15	162,700	14' 6-1/4"	8' 4"	9' 2"
AT 212-2K24	729	15,180	27,600	5,050	(2)20	178,300	14' 6-1/4"	8' 4"	9' 2"
AT 212-2L24	782	15,280	27,700	5,100	(2)25	191,500	14' 6-1/4"	8' 4"	9' 2"
AT 212-2M24	828	15,480	27,900	5,200	(2)30	202,900	14' 6-1/4"	8' 4"	9' 2"
AT 212-3124	633	15,880	28,300	5,400	(2)10	140,900	15' 6-1/4"	9' 4"	10' 2"
AT 212-3J24	740	16,160	28,580	5,540	(2)15	160,000	15' 6-1/4"	9' 4"	10' 2"
AT 212-3K24	807	16,260	28,680	5,590	(2)20	175,100	15' 6-1/4"	9' 4"	10' 2"
AT 212-3L24	868	16,360	28,780	5,640	(2)25	187,800	15' 6-1/4"	9' 4"	10' 2"
AT 212-3M24	922	16,560	28,980	5,740	(2)30	198,900	15' 6-1/4"	9' 4"	10' 2"
AT 212-4124	674	16,860	29,280	5,890	(2)10	138,600	16' 6-1/4"	10' 4"	11' 2"
AT 212-4J24	775	17,140	29,560	6,030	(2)15	157,500	16' 6-1/4"	10' 4"	11' 2"
AT 212-4K24	843	17,240	29,660	6,080	(2)20	172,400	16' 6-1/4"	10' 4"	11' 2"
AT 212-4L24	908	17,340	29,760	6,130	(2)25	184,800	16' 6-1/4"	10' 4"	11' 2"
AT 212-4M24	963	17,540	29,960	6,230	(2)30	195,600	16' 6-1/4"	10' 4"	11' 2"
AT 212-4N24	1,030	18,040	30,460	6,480	(2)40	214,100	16' 6-1/4"	10' 4"	11' 2"
UT Addition		1,400	1,400	700			1' 9-1/2"	1' 9-1/2"	

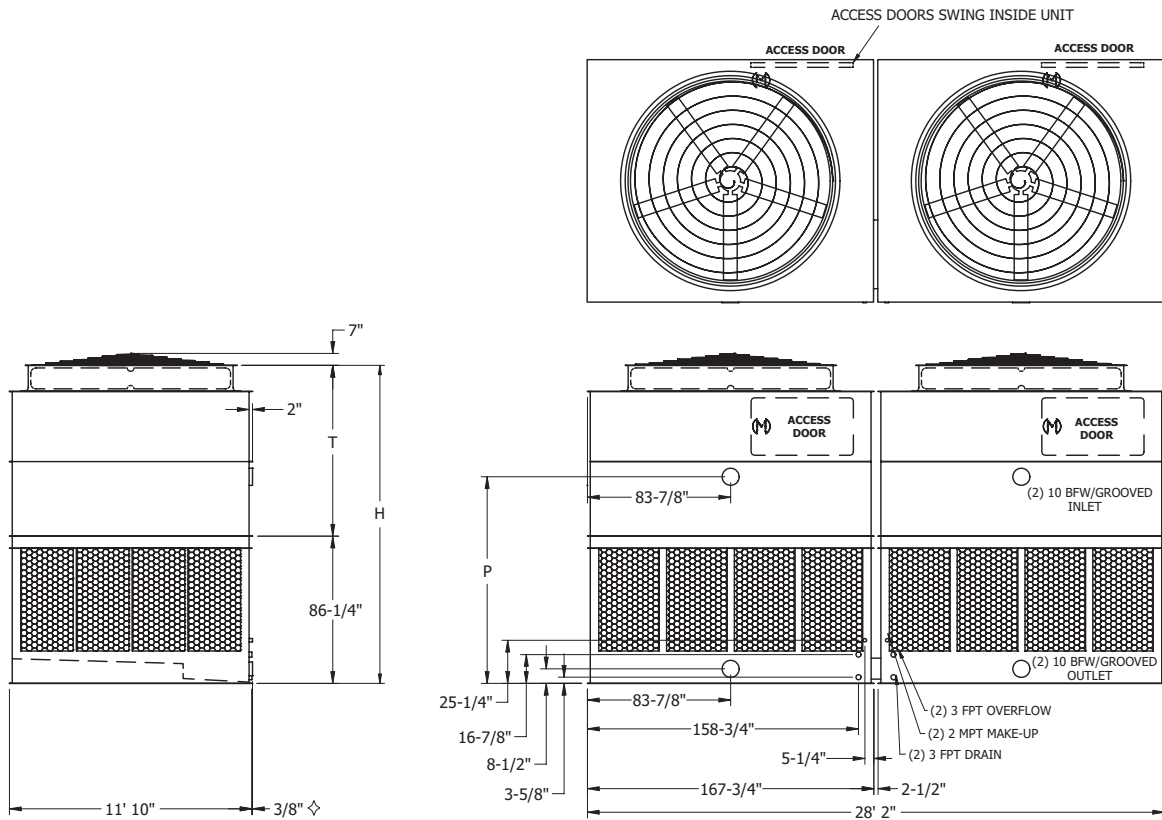
NOTE: (1) An adequately sized bleed line must be installed in the cooling tower system to prevent build-up of impurities in the recirculated water.
 (2) Do not use catalog drawings for certified prints. Dimensions and weights are subject to change.
 (3) Adequate spacing must be allowed for access to the cooling tower. Refer to EVAPCO's Equipment Layout Manual.
 (4) Nominal Tonnage is based on 3 gpm per ton at 95 degree entering water temperature, 85 degree leaving water temperature, and 78 degree wet-bulb temperature.

◇ Outlet connection extends beyond bottom flange.
 † Height includes fan guard which ships factory mounted.

‡ Heaviest section is upper section.

Models: AT/UT/USS 212-2128 to 212-4N28

Two-Cell Cooling Towers



Model No.	Nominal Tonnage	WEIGHTS (LBS)			Fan Motor (HP)	Air Flow (CFM)	DIMENSIONS		
		Shipping	Operating	Heaviest Section [‡]			H [†]	T [†]	P
AT 212-2128	598	16,820	31,480	5,360	(2)10	155,600	15' 6-1/4"	8' 4"	10' 1"
AT 212-2J28	717	16,960	31,620	5,430	(2)15	176,900	15' 6-1/4"	8' 4"	10' 1"
AT 212-2K28	787	17,080	31,740	5,490	(2)20	194,000	15' 6-1/4"	8' 4"	10' 1"
AT 212-2L28	850	17,200	31,860	5,550	(2)25	208,200	15' 6-1/4"	8' 4"	10' 1"
AT 212-2M28	900	17,340	32,000	5,620	(2)30	220,700	15' 6-1/4"	8' 4"	10' 1"
AT 212-3128	687	18,140	32,800	6,020	(2)10	153,200	16' 6-1/4"	9' 4"	11' 1"
AT 212-3J28	810	18,280	32,940	6,090	(2)15	174,000	16' 6-1/4"	9' 4"	11' 1"
AT 212-3K28	877	18,400	33,060	6,150	(2)20	190,700	16' 6-1/4"	9' 4"	11' 1"
AT 212-3L28	942	18,520	33,180	6,210	(2)25	204,500	16' 6-1/4"	9' 4"	11' 1"
AT 212-3M28	1,002	18,660	33,320	6,280	(2)30	216,500	16' 6-1/4"	9' 4"	11' 1"
AT 212-3N28	1,097	19,180	33,840	6,540	(2)40	237,100	16' 6-1/4"	9' 4"	11' 1"
AT 212-4128	741	19,180	33,840	6,540	(2)10	150,600	17' 6-1/4"	10' 4"	12' 1"
AT 212-4J28	853	19,320	33,980	6,610	(2)15	171,200	17' 6-1/4"	10' 4"	12' 1"
AT 212-4K28	921	19,440	34,100	6,670	(2)20	187,600	17' 6-1/4"	10' 4"	12' 1"
AT 212-4L28	987	19,560	34,220	6,730	(2)25	201,200	17' 6-1/4"	10' 4"	12' 1"
AT 212-4M28	1,049	19,700	34,360	6,800	(2)30	213,000	17' 6-1/4"	10' 4"	12' 1"
AT 212-4N28	1,147	20,220	34,880	7,060	(2)40	232,900	17' 6-1/4"	10' 4"	12' 1"
UT Addition		1,400	1,400	700			1' 9-1/2"	1' 9-1/2"	

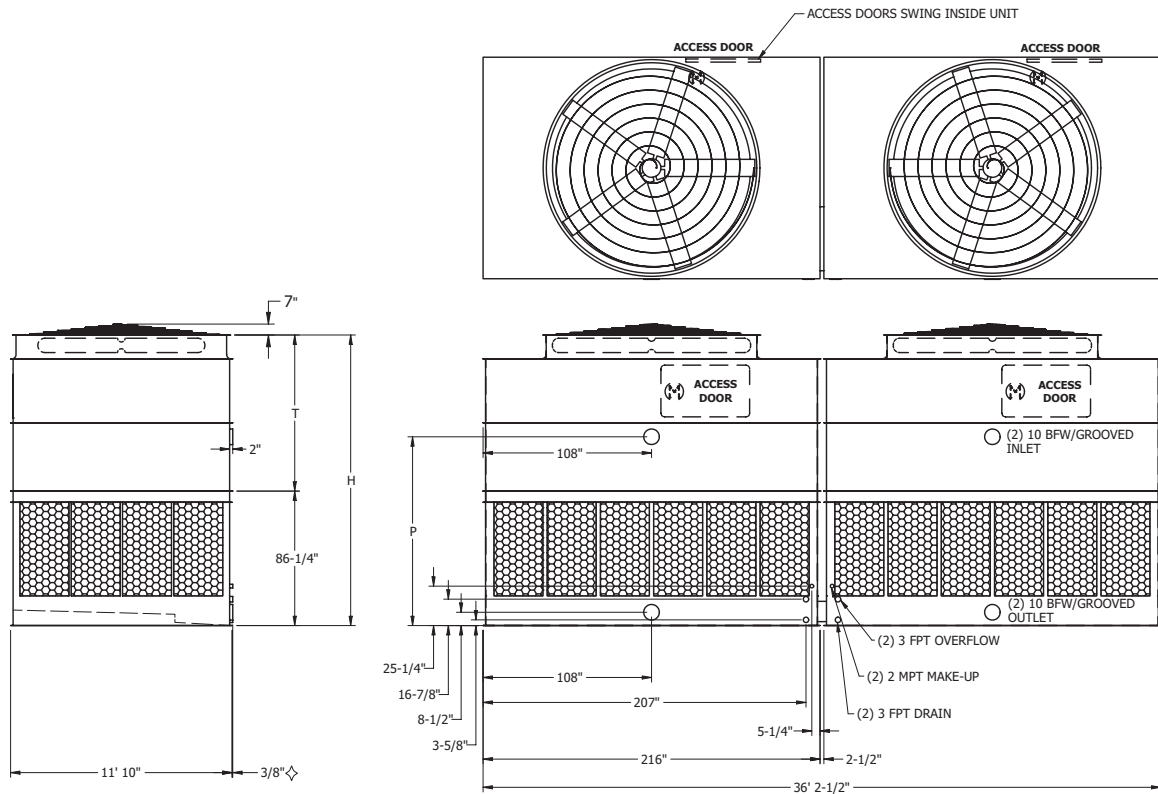
- NOTE: (1) An adequately sized bleed line must be installed in the cooling tower system to prevent build-up of impurities in the recirculated water.
 (2) Do not use catalog drawings for certified prints. Dimensions and weights are subject to change.
 (3) Adequate spacing must be allowed for access to the cooling tower. Refer to EVAPCO's Equipment Layout Manual.
 (4) Nominal Tonnage is based on 3 gpm per ton at 95 degree entering water temperature, 85 degree leaving water temperature, and 78 degree wet-bulb temperature.

◇ Outlet connection extends beyond bottom flange.
 † Height includes fan guard which ships factory mounted.

◆ Heaviest section is upper section.

Models: AT/UT/USS 212-2J36 to 212-4P36

Two-Cell Cooling Towers



Model No.	Nominal Tonnage	WEIGHTS (LBS)			Fan Motor (HP)	Air Flow (CFM)	DIMENSIONS		
		Shipping	Operating	Heaviest Section [♦]			H [†]	T [†]	P
AT 212-2J36	877	21,460	40,000	6,700	(2)15	220,200	15' 6-1/4"	8' 4"	10' 1"
AT 212-2K36	994	21,580	40,120	6,760	(2)20	241,200	15' 6-1/4"	8' 4"	10' 1"
AT 212-2L36	1,051	21,680	40,220	6,810	(2)25	259,200	15' 6-1/4"	8' 4"	10' 1"
AT 212-2M36	1,107	21,900	40,440	6,920	(2)30	274,700	15' 6-1/4"	8' 4"	10' 1"
AT 212-2N36	1,219	22,420	40,960	7,180	(2)40	300,900	15' 6-1/4"	8' 4"	10' 1"
AT 212-3J36	977	23,020	41,560	7,480	(2)15	216,900	16' 6-1/4"	9' 4"	11' 1"
AT 212-3K36	1,092	23,140	41,680	7,540	(2)20	237,300	16' 6-1/4"	9' 4"	11' 1"
AT 212-3L36	1,161	23,240	41,780	7,590	(2)40	254,700	16' 6-1/4"	9' 4"	11' 1"
AT 212-3M36	1,227	23,460	42,000	7,700	(2)50	269,800	16' 6-1/4"	9' 4"	11' 1"
AT 212-3N36	1,350	23,980	42,520	7,960	(2)30	295,200	16' 6-1/4"	9' 4"	11' 1"
AT 212-3O36	1,448	24,100	42,640	8,020	(2)25	316,900	16' 6-1/4"	9' 4"	11' 1"
AT 212-4J36	1,035	24,500	43,040	8,220	(2)15	213,300	17' 6-1/4"	10' 4"	12' 1"
AT 212-4K36	1,145	24,620	43,160	8,280	(2)20	233,600	17' 6-1/4"	10' 4"	12' 1"
AT 212-4L36	1,213	24,720	43,260	8,330	(2)25	250,800	17' 6-1/4"	10' 4"	12' 1"
AT 212-4M36	1,283	24,940	43,480	8,440	(2)30	265,500	17' 6-1/4"	10' 4"	12' 1"
AT 212-4N36	1,409	25,460	44,000	8,700	(2)40	290,400	17' 6-1/4"	10' 4"	12' 1"
AT 212-4O36	1,513	25,580	44,120	8,760	(2)50	311,200	17' 6-1/4"	10' 4"	12' 1"
AT 212-4P36	1,570	25,800	44,340	8,870	(2)60	329,700	17' 6-1/4"	10' 4"	12' 1"
UT Addition		2,400	2,400	1,200			1' 3-1/2"	1' 3-1/2"	

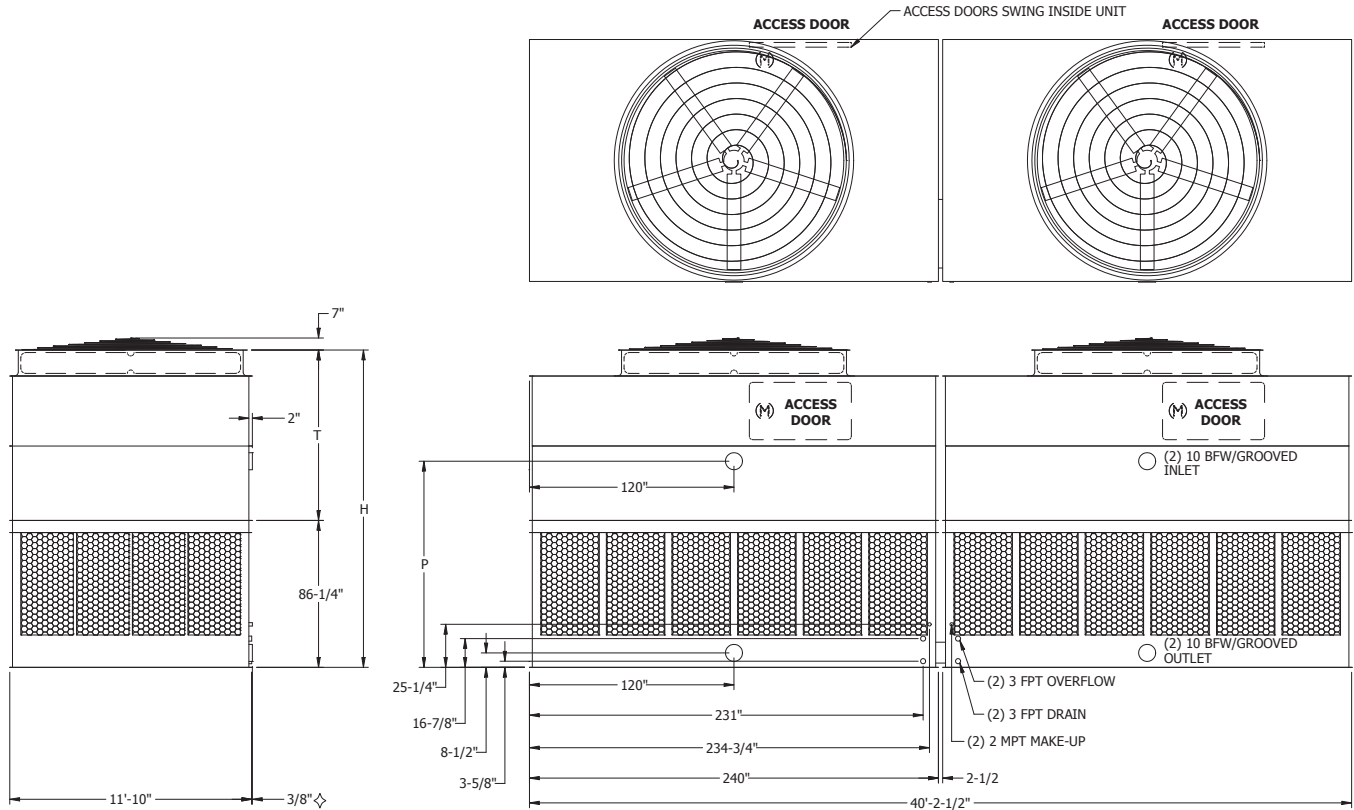
- NOTE: (1) An adequately sized bleed line must be installed in the cooling tower system to prevent build-up of impurities in the recirculated water.
 (2) Do not use catalog drawings for certified prints. Dimensions and weights are subject to change.
 (3) Adequate spacing must be allowed for access to the cooling tower. Refer to EVAPCO's Equipment Layout Manual.
 (4) Nominal Tonnage is based on 3 gpm per ton at 95 degree entering water temperature, 85 degree leaving water temperature, and 78 degree wet-bulb temperature.

◇ Outlet connection extends beyond bottom flange.
 † Height includes fan guard which ships factory mounted.

♦ Heaviest section is upper section.

Models: AT/UT/USS 212-2K40 to 212-4P40

Two-Cell Cooling Towers



Model No.	Nominal Tonnage	WEIGHTS (LBS)			Fan Motor (HP)	Air Flow (CFM)	DIMENSIONS		
		Shipping	Operating	Heaviest Section [†]			H [†]	T [†]	P
AT 212-2K40	918	22,930	43,730	7,210	(2)20	246,500	15' 6-1/2"	8' 4"	10' 1"
AT 212-2L40	1,013	23,030	43,830	7,260	(2)25	264,600	15' 6-1/2"	8' 4"	10' 1"
AT 212-2M40	1,088	23,250	44,050	7,370	(2)30	280,300	15' 6-1/2"	8' 4"	10' 1"
AT 212-2N40	1,250	23,770	44,570	7,630	(2)40	306,600	15' 6-1/2"	8' 4"	10' 1"
AT 212-2O40	1,357	23,890	44,690	7,690	(2)50	329,000	15' 6-1/2"	8' 4"	10' 1"
AT 212-3K40	1,073	24,390	45,190	7,940	(2)20	242,400	16' 6-1/2"	9' 4"	11' 1"
AT 212-3L40	1,170	24,490	45,290	7,990	(2)25	260,000	16' 6-1/2"	9' 4"	11' 1"
AT 212-3M40	1,246	24,710	45,510	8,100	(2)30	275,300	16' 6-1/2"	9' 4"	11' 1"
AT 212-3N40	1,396	25,230	46,030	8,360	(2)40	300,900	16' 6-1/2"	9' 4"	11' 1"
AT 212-3O40	1,515	25,350	46,150	8,420	(2)50	322,600	16' 6-1/2"	9' 4"	11' 1"
AT 212-4K40	1,143	26,190	46,990	8,840	(2)20	238,300	17' 6-1/2"	10' 4"	12' 1"
AT 212-4L40	1,235	26,290	47,090	8,890	(2)25	255,700	17' 6-1/2"	10' 4"	12' 1"
AT 212-4M40	1,310	26,510	47,310	9,000	(2)30	270,900	17' 6-1/2"	10' 4"	12' 1"
AT 212-4N40	1,457	27,030	47,830	9,260	(2)40	296,200	17' 6-1/2"	10' 4"	12' 1"
AT 212-4O40	1,576	27,150	47,950	9,320	(2)50	317,300	17' 6-1/2"	10' 4"	12' 1"
AT 212-4P40	1,635	27,370	48,170	9,430	(2)60	336,300	17' 6-1/2"	10' 4"	12' 1"
UT Addition		2,400	2,400	1,200			1' 3-1/2"	1' 3-1/2"	

- NOTE: (1) An adequately sized bleed line must be installed in the cooling tower system to prevent build-up of impurities in the recirculated water.
 (2) Do not use catalog drawings for certified prints. Dimensions and weights are subject to change.
 (3) Adequate spacing must be allowed for access to the cooling tower. Refer to EVAPCO's Equipment Layout Manual.
 (4) Nominal Tonnage is based on 3 gpm per ton at 95 degree entering water temperature, 85 degree leaving water temperature, and 78 degree wet-bulb temperature.

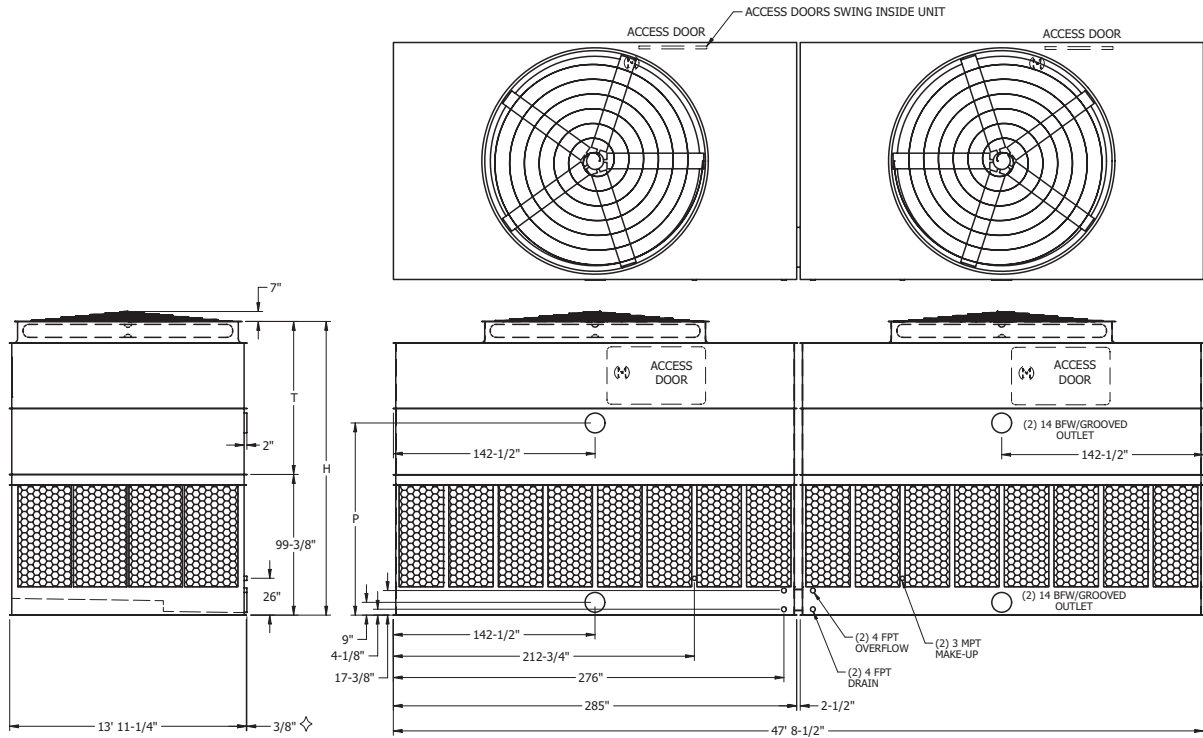
◇ Outlet connection extends beyond bottom flange.

◆ Heaviest section is upper section.

† Height includes fan guard which ships factory mounted.

Models: AT/UT/USS 214-2K48 to 214-4R48

Two-Cell Cooling Towers



Model No.	Nominal Tonnage	WEIGHTS (LBS)			Fan Motor (HP)	Air Flow (CFM)	DIMENSIONS		
		Shipping	Operating	Heaviest Section†			H†	T†	P
AT 214-2K48	1,205	32,640	64,340	10,600	(2)20	313,500	17' 5-5/8"	9' 2-1/4"	11' 3-7/8"
AT 214-2L48	1,336	32,740	64,440	10,650	(2)25	336,500	17' 5-5/8"	9' 2-1/4"	11' 3-7/8"
AT 214-2M48	1,410	32,780	64,480	10,670	(2)30	356,800	17' 5-5/8"	9' 2-1/4"	11' 3-7/8"
AT 214-2N48	1,527	33,080	64,780	10,820	(2)40	391,500	17' 5-5/8"	9' 2-1/4"	11' 3-7/8"
AT 214-2O48	1,641	33,780	65,480	11,170	(2)50	420,400	17' 5-5/8"	9' 2-1/4"	11' 3-7/8"
AT 214-3K48	1,383	34,720	66,420	11,640	(2)20	308,800	18' 5-5/8"	10' 2-1/4"	12' 3-7/8"
AT 214-3L48	1,517	34,820	66,520	11,690	(2)25	331,200	18' 5-5/8"	10' 2-1/4"	12' 3-7/8"
AT 214-3M48	1,589	34,860	66,560	11,710	(2)30	351,200	18' 5-5/8"	10' 2-1/4"	12' 3-7/8"
AT 214-3N48	1,748	35,160	66,860	11,860	(2)40	384,400	18' 5-5/8"	10' 2-1/4"	12' 3-7/8"
AT 214-3O48	1,863	35,860	67,560	12,210	(2)50	412,500	18' 5-5/8"	10' 2-1/4"	12' 3-7/8"
AT 214-3P48	1,978	36,200	67,900	12,380	(2)60	436,800	18' 5-5/8"	10' 2-1/4"	12' 3-7/8"
AT 214-4K48	1,514	36,800	68,500	12,680	(2)20	303,200	19' 5-5/8"	11' 2-1/4"	13' 3-7/8"
AT 214-4L48	1,637	36,900	68,600	12,730	(2)25	325,400	19' 5-5/8"	11' 2-1/4"	13' 3-7/8"
AT 214-4M48	1,713	36,940	68,640	12,750	(2)30	345,000	19' 5-5/8"	11' 2-1/4"	13' 3-7/8"
AT 214-4N48	1,860	37,240	68,940	12,900	(2)40	378,000	19' 5-5/8"	11' 2-1/4"	13' 3-7/8"
AT 214-4O48	1,960	37,940	69,640	13,250	(2)50	405,900	19' 5-5/8"	11' 2-1/4"	13' 3-7/8"
AT 214-4P48	2,075	38,280	69,980	13,420	(2)60	429,800	19' 5-5/8"	11' 2-1/4"	13' 3-7/8"
AT 214-4Q48	2,230	38,760	70,460	13,660	(2)75	460,600	19' 5-5/8"	11' 2-1/4"	13' 3-7/8"
AT 214-4R48*	2,359	39,640	71,340	14,100	(2)100	504,800	19' 5-5/8"	11' 2-1/4"	13' 3-7/8"
UT Addition		2,500	2,500	1,250			1' 1-1/2"	1' 1-1/2"	

- NOTE: (1) An adequately sized bleed line must be installed in the cooling tower system to prevent build-up of impurities in the recirculated water.
 (2) Do not use catalog drawings for certified prints. Dimensions and weights are subject to change.
 (3) Adequate spacing must be allowed for access to the cooling tower. Refer to EVAPCO's Equipment Layout Manual.
 (4) Nominal Tonnage is based on 3 gpm per ton at 95 degree entering water temperature, 85 degree leaving water temperature, and 78 degree wet-bulb temperature.

◇ Outlet connection extends beyond bottom flange.

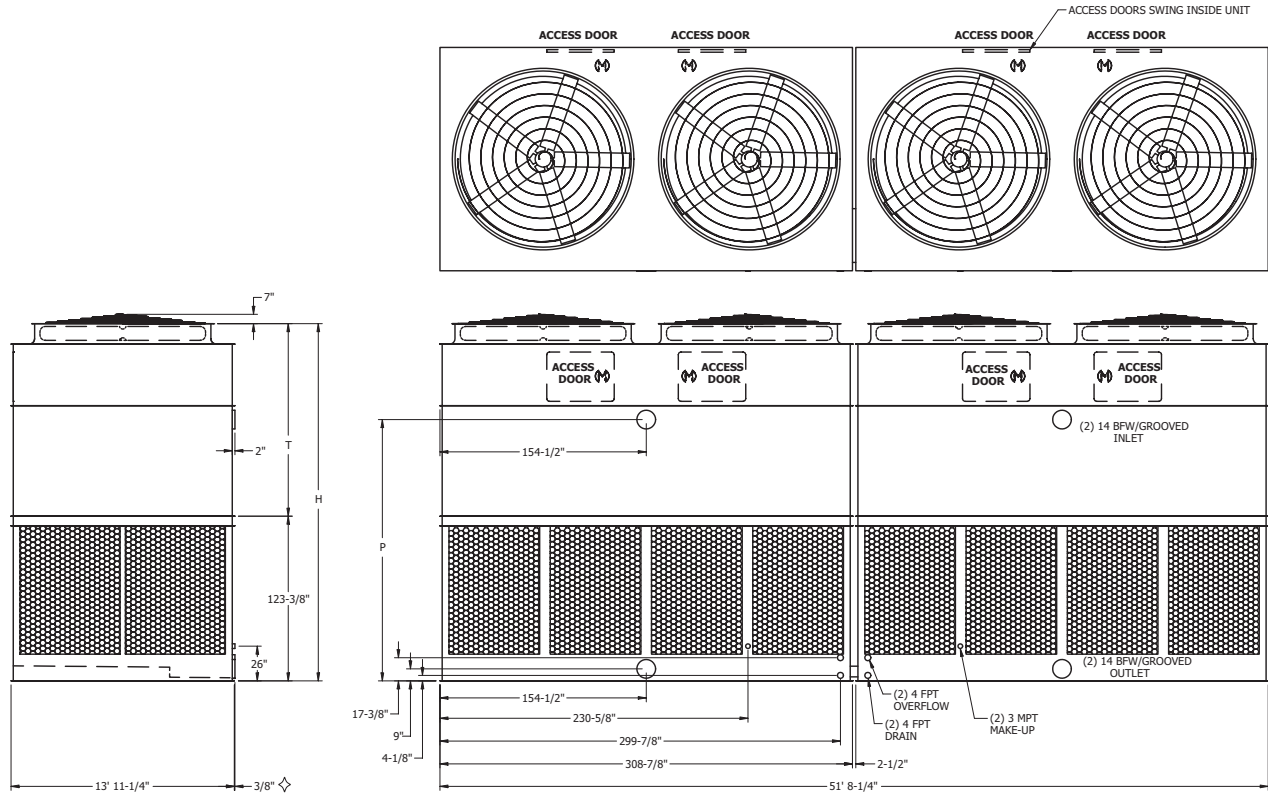
◆ Heaviest section is upper section.

† Height includes fan guard which ships factory mounted.

* Model available with gear drive only. Motors and access doors located on 13'11-1/4" unit ends. Super Low Sound Fan is not available on this unit.

Models: AT/UT/USS 214-5K52 to 214-5O52

Two-Cell Cooling Towers



Model No.	Nominal Tonnage	WEIGHTS (LBS)			Fan Motor (HP)	Air Flow (CFM)	DIMENSIONS		
		Shipping	Operating	Heaviest Section [†]			H [†]	T [†]	P
AT 214-5K52	1,971	49,200	82,860	17,660	(4)20	393,500	22' 3-1/2"	12' 1/8"	16' 3-3/4"
AT 214-5L52	2,119	49,320	82,980	17,720	(4)25	422,100	22' 3-1/2"	12' 1/8"	16' 3-3/4"
AT 214-5M52	2,245	49,520	83,180	17,820	(4)30	446,800	22' 3-1/2"	12' 1/8"	16' 3-3/4"
AT 214-5N52	2,452	50,160	83,820	18,140	(4)40	488,700	22' 3-1/2"	12' 1/8"	16' 3-3/4"
AT 214-5O52	2,622	50,200	83,860	18,160	(4)50	523,700	22' 3-1/2"	12' 1/8"	16' 3-3/4"
UT Addition		♣	4,800	♣			1' 3-1/2"	1' 3-1/2"	

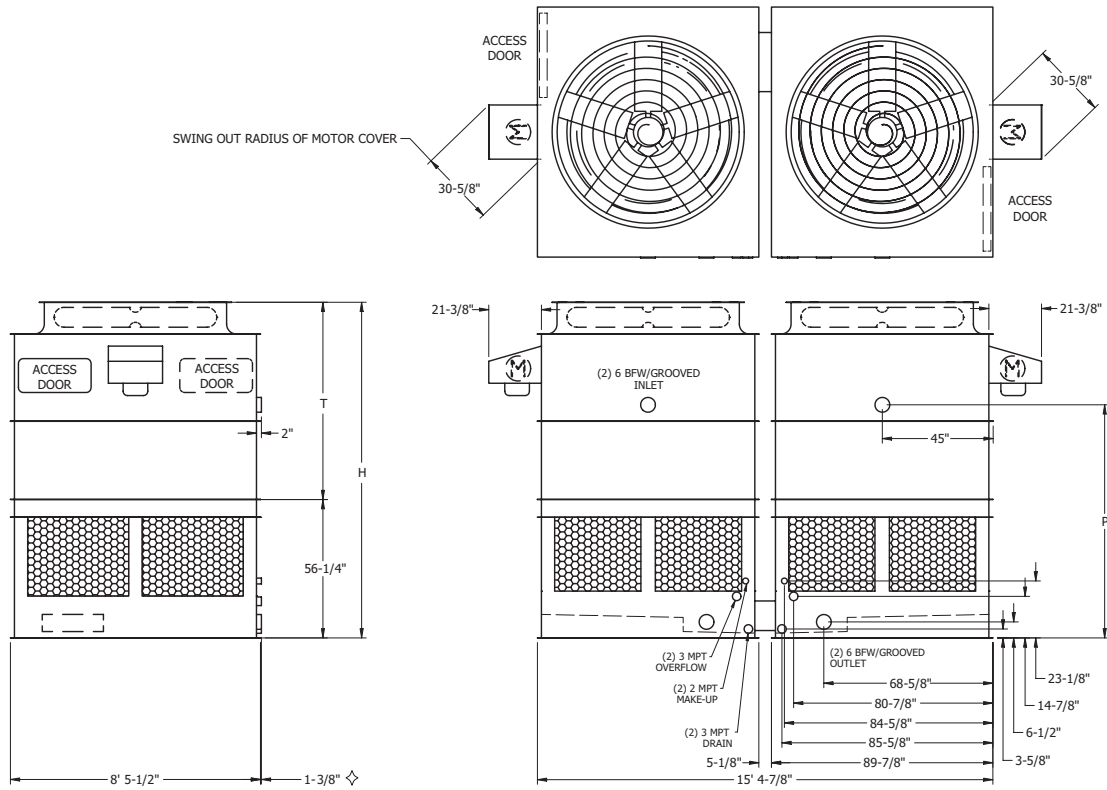
- NOTE: (1) An adequately sized bleed line must be installed in the cooling tower system to prevent build-up of impurities in the recirculated water.
 (2) Do not use catalog drawings for certified prints. Dimensions and weights are subject to change.
 (3) Adequate spacing must be allowed for access to the cooling tower. Refer to EVAPCO's Equipment Layout Manual.
 (4) Nominal Tonnage is based on 3 gpm per ton at 95 degree entering water temperature, 85 degree leaving water temperature, and 78 degree wet-bulb temperature.

⬠ Outlet connection extends beyond bottom flange.
 † Height includes fan guard which ships factory mounted.

♣ Heaviest section is upper section.
 ♣ Please consult the factory for additional information regarding shipping and section weight changes.

Models: AT/UT/USS 215-2F9 to 215-4J9

Two-Cell Cooling Towers



Model No.	Nominal Tonnage	WEIGHTS (LBS)			Fan Motor (HP)	Air Flow (CFM)	DIMENSIONS		
		Shipping	Operating	Heaviest Section [†]			H [†]	T [†]	P
AT 215-2F9	217	6,860	11,700	2,260	(2)3	53,200	11' 4-1/4"	6' 8"	7' 10-1/2"
AT 215-2G9	274	6,900	11,740	2,280	(2)5	62,600	11' 4-1/4"	6' 8"	7' 10-1/2"
AT 215-2H9	297	6,980	11,820	2,320	(2)7.5	71,400	11' 4-1/4"	6' 8"	7' 10-1/2"
AT 215-2I9	319	7,040	11,880	2,350	(2)10	78,300	11' 4-1/4"	6' 8"	7' 10-1/2"
AT 215-3F9	247	7,320	12,160	2,490	(2)3	52,500	12' 4-1/4"	7' 8"	8' 10-1/2"
AT 215-3G9	304	7,360	12,200	2,510	(2)5	61,600	12' 4-1/4"	7' 8"	8' 10-1/2"
AT 215-3H9	331	7,440	12,280	2,550	(2)7.5	70,200	12' 4-1/4"	7' 8"	8' 10-1/2"
AT 215-3I9	358	7,500	12,340	2,580	(2)10	76,900	12' 4-1/4"	7' 8"	8' 10-1/2"
AT 215-3J9	393	7,620	12,460	2,640	(2)15	87,500	12' 4-1/4"	7' 8"	8' 10-1/2"
AT 215-4F9	267	7,860	12,700	2,760	(2)3	51,600	13' 4-1/4"	8' 8"	9' 10-1/2"
AT 215-4G9	319	7,900	12,740	2,780	(2)5	60,600	13' 4-1/4"	8' 8"	9' 10-1/2"
AT 215-4H9	346	7,980	12,820	2,820	(2)7.5	69,100	13' 4-1/4"	8' 8"	9' 10-1/2"
AT 215-4I9	373	8,040	12,880	2,850	(2)10	75,700	13' 4-1/4"	8' 8"	9' 10-1/2"
AT 215-4J9	414	8,160	13,000	2,910	(2)15	86,000	13' 4-1/4"	8' 8"	9' 10-1/2"
UT Addition		300	300	150			1' 5"	1' 5"	

- NOTE: (1) An adequately sized bleed line must be installed in the cooling tower system to prevent build-up of impurities in the recirculated water.
 (2) Do not use catalog drawings for certified prints. Dimensions and weights are subject to change.
 (3) Adequate spacing must be allowed for access to the cooling tower. Refer to EVAPCO's Equipment Layout Manual.
 (4) Nominal Tonnage is based on 3 gpm per ton at 95 degree entering water temperature, 85 degree leaving water temperature, and 78 degree wet-bulb temperature.

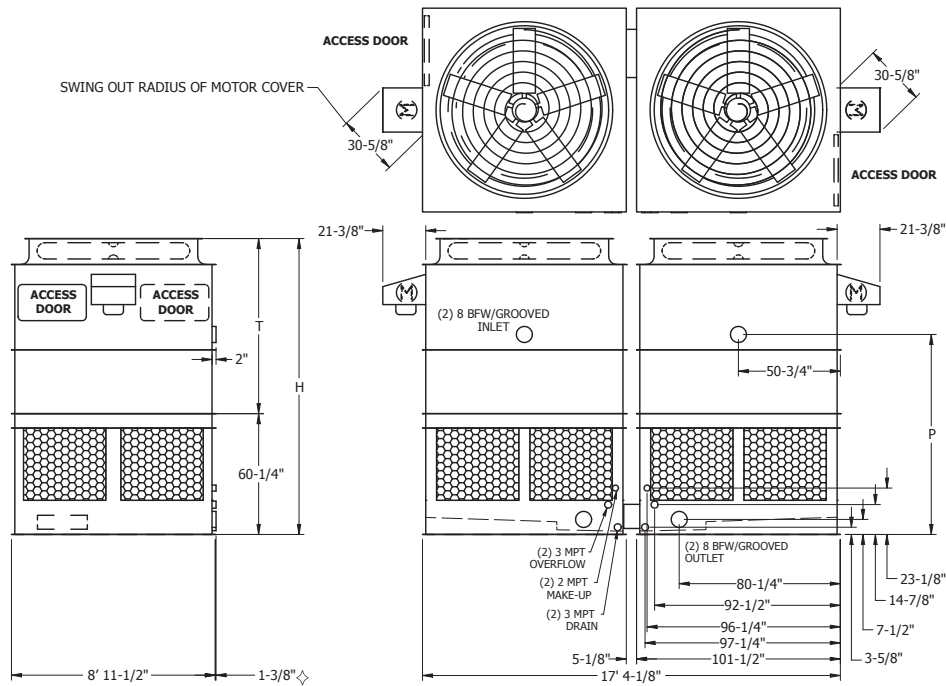
◇ Outlet connection extends beyond bottom flange.
 † Height includes fan guard which ships factory mounted.

◆ Heaviest section is upper section.

* Model available with gear drive only. Motors and access doors located on 13' 11-1/4" unit ends. Super Low Sound Fan is not available on this unit.

Models: AT/UT/USS 217-2G9 to 217-4K9

Two-Cell Cooling Towers



Model No.	Nominal Tonnage	WEIGHTS (LBS)			Fan Motor (HP)	Air Flow (CFM)	DIMENSIONS		
		Shipping	Operating	Heaviest Section†			H†	T†	P
AT 217-2G9	270	7,960	13,640	2,670	(2)5	71,700	12' 3-3/8"	7' 3-1/8"	8' 3-1/2"
AT 217-2H9	324	8,040	13,720	2,710	(2)7.5	81,500	12' 3-3/8"	7' 3-1/8"	8' 3-1/2"
AT 217-2I9	356	8,100	13,780	2,740	(2)10	89,300	12' 3-3/8"	7' 3-1/8"	8' 3-1/2"
AT 217-2J9	416	8,240	13,920	2,810	(2)15	101,500	12' 3-3/8"	7' 3-1/8"	8' 3-1/2"
AT 217-3G9	308	8,500	14,180	2,940	(2)5	70,600	13' 3-3/8"	8' 3-1/8"	9' 3-1/2"
AT 217-3H9	362	8,580	14,260	2,980	(2)7.5	80,200	13' 3-3/8"	8' 3-1/8"	9' 3-1/2"
AT 217-3I9	399	8,640	14,320	3,010	(2)10	87,800	13' 3-3/8"	8' 3-1/8"	9' 3-1/2"
AT 217-3J9	464	8,780	14,460	3,080	(2)15	99,500	13' 3-3/8"	8' 3-1/8"	9' 3-1/2"
AT 217-4G9	330	9,120	14,800	3,250	(2)5	69,400	14' 3-3/8"	9' 3-1/8"	10' 3-1/2"
AT 217-4H9	381	9,200	14,880	3,290	(2)7.5	78,900	14' 3-3/8"	9' 3-1/8"	10' 3-1/2"
AT 217-4I9	418	9,260	14,940	3,320	(2)10	86,400	14' 3-3/8"	9' 3-1/8"	10' 3-1/2"
AT 217-4J9	484	9,400	15,080	3,390	(2)15	97,900	14' 3-3/8"	9' 3-1/8"	10' 3-1/2"
AT 217-4K9	530	9,500	15,180	3,440	(2)20	107,100	14' 3-3/8"	9' 3-1/8"	10' 3-1/2"
UT Addition		300	300	150			1' 9"	1' 9"	

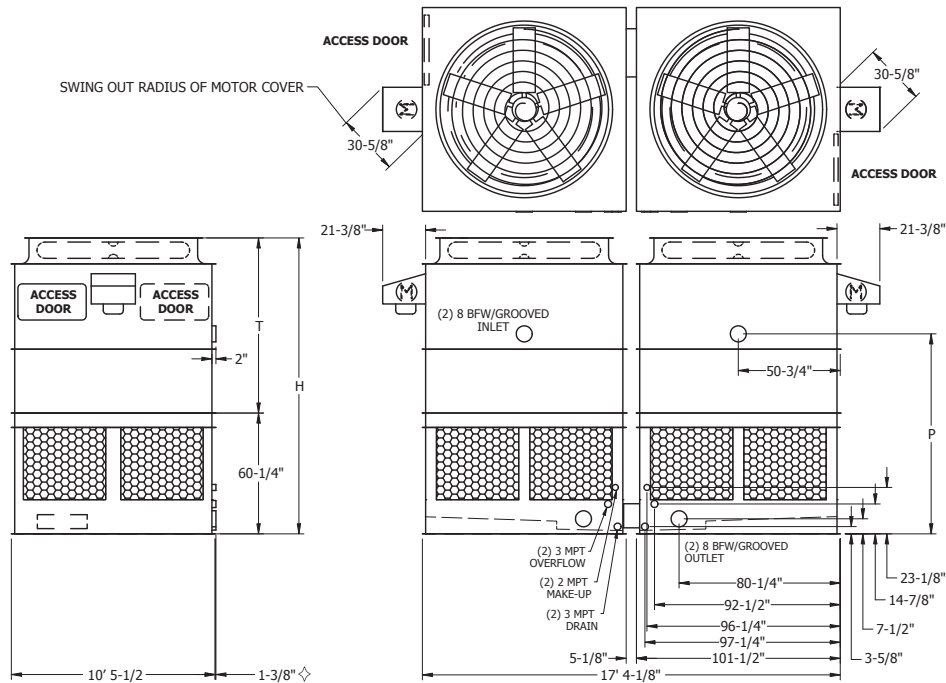
- NOTE: (1) An adequately sized bleed line must be installed in the cooling tower system to prevent build-up of impurities in the recirculated water.
 (2) Do not use catalog drawings for certified prints. Dimensions and weights are subject to change.
 (3) Adequate spacing must be allowed for access to the cooling tower. Refer to EVAPCO's Equipment Layout Manual.
 (4) Nominal Tonnage is based on 3 gpm per ton at 95 degree entering water temperature, 85 degree leaving water temperature, and 78 degree wet-bulb temperature.

◇ Outlet connection extends beyond bottom flange.
 † Height includes fan guard which ships factory mounted.

◆ Heaviest section is upper section.

Models: AT/UT/USS 217-2G11 to 217-4L11

Two-Cell Cooling Towers



Model No.	Nominal Tonnage	WEIGHTS (LBS)			Fan Motor (HP)	Air Flow (CFM)	DIMENSIONS		
		Shipping	Operating	Heaviest Section [†]			H [†]	T [†]	P
AT 217-2G11	316	9,060	15,660	3,060	(2)5	80,700	12' 3-3/8"	7' 3-1/8"	8' 3-1/2"
AT 217-2H11	379	9,140	15,740	3,100	(2)7.5	91,800	12' 3-3/8"	7' 3-1/8"	8' 3-1/2"
AT 217-2I11	408	9,200	15,800	3,130	(2)10	100,700	12' 3-3/8"	7' 3-1/8"	8' 3-1/2"
AT 217-2J11	467	9,340	15,940	3,200	(2)15	114,600	12' 3-3/8"	7' 3-1/8"	8' 3-1/2"
AT 217-3G11	347	9,700	16,300	3,380	(2)5	79,600	13' 3-3/8"	8' 3-1/8"	9' 3-1/2"
AT 217-3H11	409	9,780	16,380	3,420	(2)7.5	90,500	13' 3-3/8"	8' 3-1/8"	9' 3-1/2"
AT 217-3I11	447	9,840	16,440	3,450	(2)10	99,100	13' 3-3/8"	8' 3-1/8"	9' 3-1/2"
AT 217-3J11	516	9,980	16,580	3,520	(2)15	112,500	13' 3-3/8"	8' 3-1/8"	9' 3-1/2"
AT 217-3K11	576	10,080	16,680	3,570	(2)20	123,000	13' 3-3/8"	8' 3-1/8"	9' 3-1/2"
AT 217-4G11	385	10,400	17,000	3,730	(2)5	78,200	14' 3-3/8"	9' 3-1/8"	10' 3-1/2"
AT 217-4H11	444	10,480	17,080	3,770	(2)7.5	88,900	14' 3-3/8"	9' 3-1/8"	10' 3-1/2"
AT 217-4I11	480	10,540	17,140	3,800	(2)10	97,400	14' 3-3/8"	9' 3-1/8"	10' 3-1/2"
AT 217-4J11	545	10,680	17,280	3,870	(2)15	110,600	14' 3-3/8"	9' 3-1/8"	10' 3-1/2"
AT 217-4K11	602	10,780	17,380	3,920	(2)20	120,900	14' 3-3/8"	9' 3-1/8"	10' 3-1/2"
AT 217-4L11	634	10,840	17,440	3,950	(2)25	129,700	14' 3-3/8"	9' 3-1/8"	10' 3-1/2"
UT Addition		300	300	150			1' 9"	1' 9"	

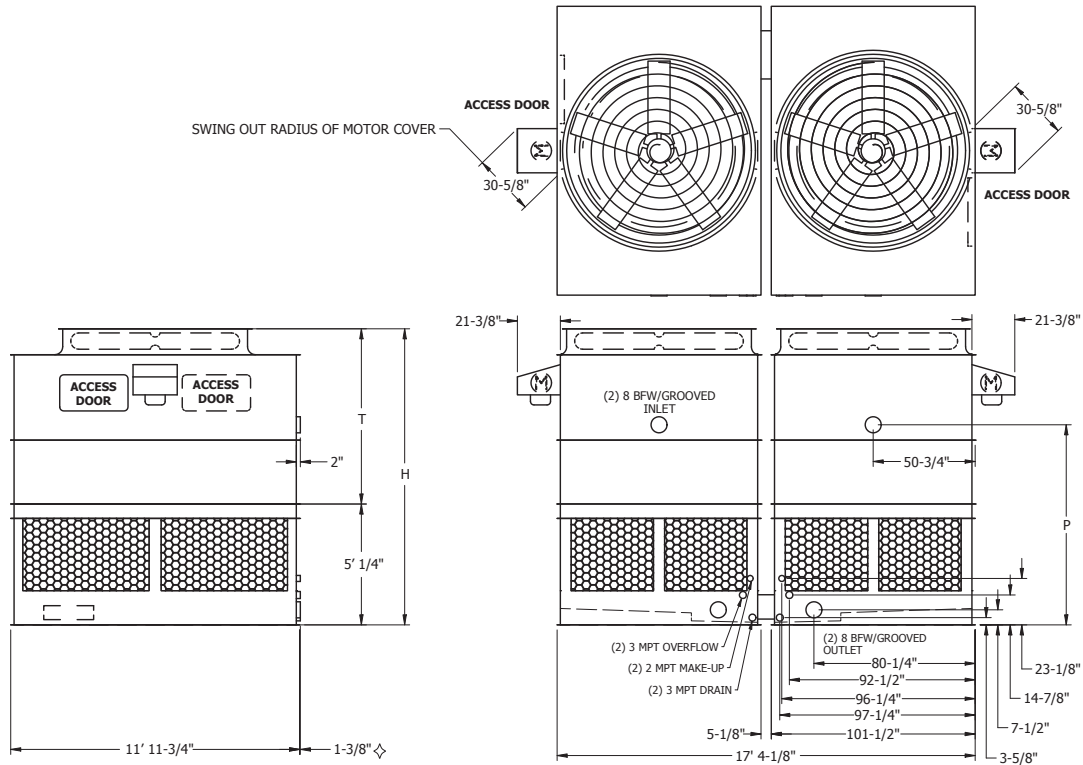
- NOTE: (1) An adequately sized bleed line must be installed in the cooling tower system to prevent build-up of impurities in the recirculated water.
 (2) Do not use catalog drawings for certified prints. Dimensions and weights are subject to change.
 (3) Adequate spacing must be allowed for access to the cooling tower. Refer to EVAPCO's Equipment Layout Manual.
 (4) Nominal Tonnage is based on 3 gpm per ton at 95 degree entering water temperature, 85 degree leaving water temperature, and 78 degree wet-bulb temperature.

◇ Outlet connection extends beyond bottom flange.
 † Height includes fan guard which ships factory mounted.

◆ Heaviest section is upper section.

Models: AT/UT/USS 217-2H12 to 217-4M12

Two-Cell Cooling Towers



Model No.	Nominal Tonnage	WEIGHTS (LBS)			Fan Motor (HP)	Air Flow (CFM)	DIMENSIONS		
		Shipping	Operating	Heaviest Section [♦]			H [†]	T [†]	P
AT 217-2H12	394	10,160	17,880	3,430	(2)7.5	99,600	12' 3-3/8"	7' 3-1/8"	8' 3-1/2"
AT 217-2I12	447	10,220	17,940	3,460	(2)10	109,100	12' 3-3/8"	7' 3-1/8"	8' 3-1/2"
AT 217-2J12	499	10,380	18,100	3,540	(2)15	124,300	12' 3-3/8"	7' 3-1/8"	8' 3-1/2"
AT 217-2K12	550	10,460	18,180	3,580	(2)20	136,200	12' 3-3/8"	7' 3-1/8"	8' 3-1/2"
AT 217-3H12	446	10,880	18,600	3,790	(2)7.5	98,100	13' 3-3/8"	8' 3-1/8"	9' 3-1/2"
AT 217-3I12	499	10,940	18,660	3,820	(2)10	107,300	13' 3-3/8"	8' 3-1/8"	9' 3-1/2"
AT 217-3J12	564	11,100	18,820	3,900	(2)15	122,000	13' 3-3/8"	8' 3-1/8"	9' 3-1/2"
AT 217-3K12	622	11,180	18,900	3,940	(2)20	133,500	13' 3-3/8"	8' 3-1/8"	9' 3-1/2"
AT 217-3L12	665	11,220	18,940	3,960	(2)25	143,200	13' 3-3/8"	8' 3-1/8"	9' 3-1/2"
AT 217-4H12	474	11,660	19,380	4,180	(2)7.5	96,500	14' 3-3/8"	9' 3-1/8"	10' 3-1/2"
AT 217-4I12	524	11,720	19,440	4,210	(2)10	105,600	14' 3-3/8"	9' 3-1/8"	10' 3-1/2"
AT 217-4J12	585	11,880	19,600	4,290	(2)15	120,100	14' 3-3/8"	9' 3-1/8"	10' 3-1/2"
AT 217-4K12	645	11,960	19,680	4,330	(2)20	131,400	14' 3-3/8"	9' 3-1/8"	10' 3-1/2"
AT 217-4L12	688	12,000	19,720	4,350	(2)25	140,800	14' 3-3/8"	9' 3-1/8"	10' 3-1/2"
AT 217-4M12	709	12,040	19,760	4,370	(2)30	149,300	14' 3-3/8"	9' 3-1/8"	10' 3-1/2"
UT Addition		300	300	150			1' 9"	1' 9"	

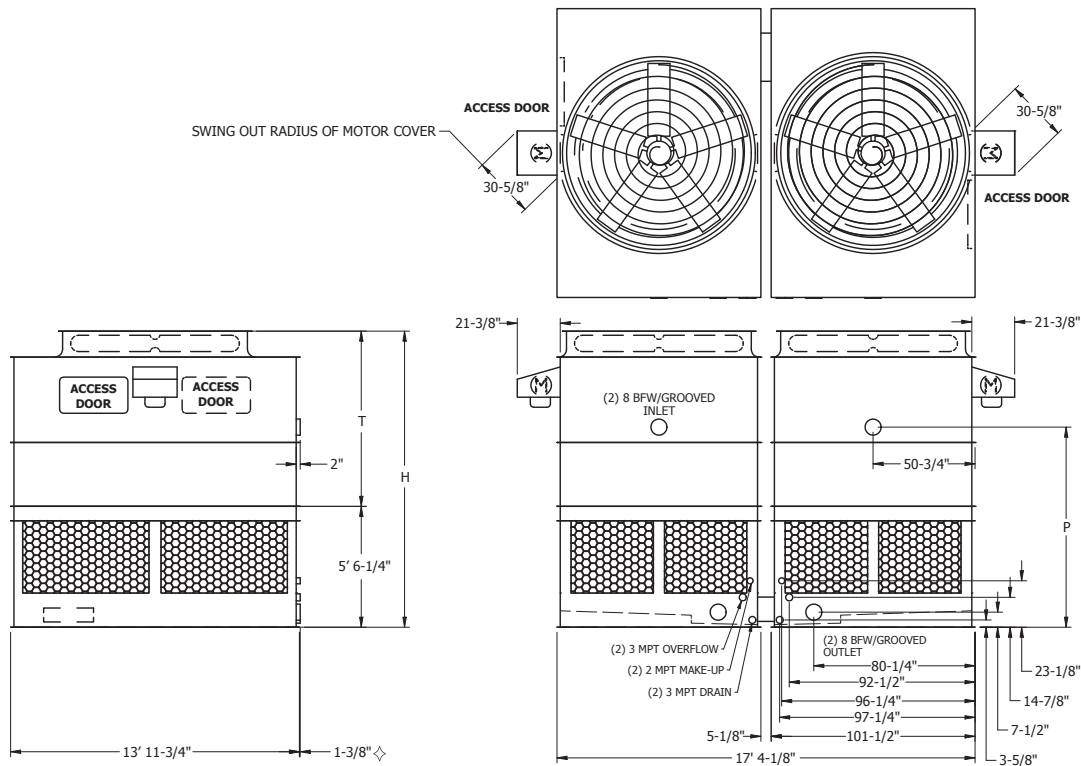
- NOTE: (1) An adequately sized bleed line must be installed in the cooling tower system to prevent build-up of impurities in the recirculated water.
 (2) Do not use catalog drawings for certified prints. Dimensions and weights are subject to change.
 (3) Adequate spacing must be allowed for access to the cooling tower. Refer to EVAPCO's Equipment Layout Manual.
 (4) Nominal Tonnage is based on 3 gpm per ton at 95 degree entering water temperature, 85 degree leaving water temperature, and 78 degree wet-bulb temperature.

◇ Outlet connection extends beyond bottom flange.
 † Height includes fan guard which ships factory mounted.

♦ Heaviest section is upper section.

Models: AT/UT/USS 217-2H14 to 217-4M14

Two-Cell Cooling Towers



Model No.	Nominal Tonnage	WEIGHTS (LBS)			Fan Motor (HP)	Air Flow (CFM)	DIMENSIONS		
		Shipping	Operating	Heaviest Section [†]			H [†]	T [†]	P
AT 217-2H14	435	11,080	20,100	3,680	(2)7.5	112,300	12' 9-3/8"	7' 3-1/8"	8' 9-1/2"
AT 217-2I14	494	11,140	20,160	3,710	(2)10	123,000	12' 9-3/8"	7' 3-1/8"	8' 9-1/2"
AT 217-2J14	551	11,300	20,320	3,790	(2)15	140,200	12' 9-3/8"	7' 3-1/8"	8' 9-1/2"
AT 217-2K14	608	11,380	20,400	3,830	(2)20	153,600	12' 9-3/8"	7' 3-1/8"	8' 9-1/2"
AT 217-2L14	664	11,420	20,440	3,850	(2)25	164,700	12' 9-3/8"	7' 3-1/8"	8' 9-1/2"
AT 217-3H14	490	11,900	20,920	4,090	(2)7.5	110,600	13' 9-3/8"	8' 3-1/8"	9' 9-1/2"
AT 217-3I14	551	11,960	20,980	4,120	(2)10	121,100	13' 9-3/8"	8' 3-1/8"	9' 9-1/2"
AT 217-3J14	621	12,120	21,140	4,200	(2)15	137,700	13' 9-3/8"	8' 3-1/8"	9' 9-1/2"
AT 217-3K14	685	12,200	21,220	4,240	(2)20	150,600	13' 9-3/8"	8' 3-1/8"	9' 9-1/2"
AT 217-3L14	744	12,240	21,260	4,260	(2)25	161,500	13' 9-3/8"	8' 3-1/8"	9' 9-1/2"
AT 217-3M14	787	12,280	21,300	4,280	(2)30	171,100	13' 9-3/8"	8' 3-1/8"	9' 9-1/2"
AT 217-4H14	525	12,800	21,820	4,540	(2)7.5	108,800	14' 9-3/8"	9' 3-1/8"	10' 9-1/2"
AT 217-4I14	581	12,860	21,880	4,570	(2)10	119,100	14' 9-3/8"	9' 3-1/8"	10' 9-1/2"
AT 217-4J14	649	13,020	22,040	4,650	(2)15	135,500	14' 9-3/8"	9' 3-1/8"	10' 9-1/2"
AT 217-4K14	714	13,100	22,120	4,690	(2)20	148,300	14' 9-3/8"	9' 3-1/8"	10' 9-1/2"
AT 217-4L14	773	13,140	22,160	4,710	(2)25	158,900	14' 9-3/8"	9' 3-1/8"	10' 9-1/2"
AT 217-4M14	815	13,180	22,200	4,730	(2)30	168,200	14' 9-3/8"	9' 3-1/8"	10' 9-1/2"
UT Addition		300	300	150			1' 9"	1' 9"	

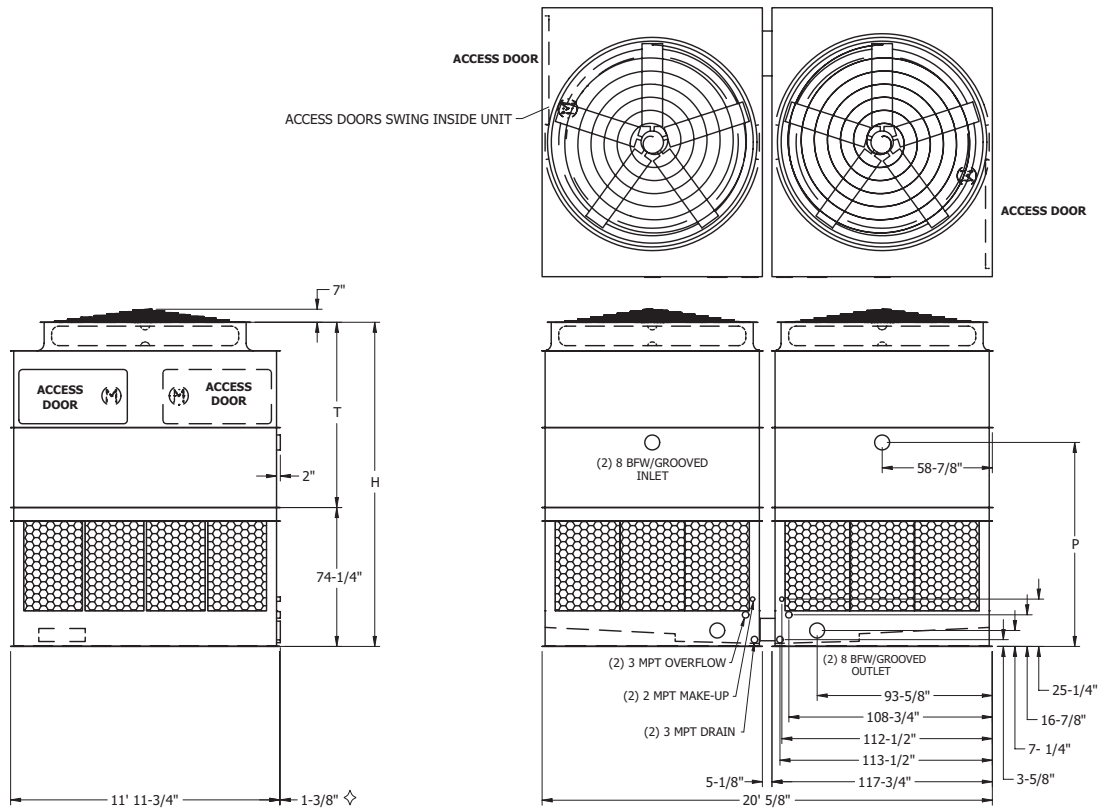
- NOTE: (1) An adequately sized bleed line must be installed in the cooling tower system to prevent build-up of impurities in the recirculated water.
 (2) Do not use catalog drawings for certified prints. Dimensions and weights are subject to change.
 (3) Adequate spacing must be allowed for access to the cooling tower. Refer to EVAPCO's Equipment Layout Manual.
 (4) Nominal Tonnage is based on 3 gpm per ton at 95 degree entering water temperature, 85 degree leaving water temperature, and 78 degree wet-bulb temperature.

◇ Outlet connection extends beyond bottom flange.
 † Height includes fan guard which ships factory mounted.

◆ Heaviest section is upper section.

Models: AT/UT/USS 220-2I12 to 220-4N12

Two-Cell Cooling Towers



Model No.	Nominal Tonnage	WEIGHTS (LBS)			Fan Motor (HP)	Air Flow (CFM)	DIMENSIONS		
		Shipping	Operating	Heaviest Section [♦]			H [†]	T [†]	P
AT 220-2I12	455	12,900	23,980	4,200	(2)10	128,800	14' 5-1/4"	8' 3"	9' 1"
AT 220-2J12	553	13,040	24,120	4,270	(2)15	146,300	14' 5-1/4"	8' 3"	9' 1"
AT 220-2K12	611	13,140	24,220	4,320	(2)20	160,300	14' 5-1/4"	8' 3"	9' 1"
AT 220-2L12	651	13,240	24,320	4,370	(2)25	172,200	14' 5-1/4"	8' 3"	9' 1"
AT 220-2M12	684	13,440	24,520	4,470	(2)30	182,500	14' 5-1/4"	8' 3"	9' 1"
AT 220-3I12	529	13,860	24,940	4,680	(2)10	126,700	15' 5-1/4"	9' 3"	10' 1"
AT 220-3J12	618	14,000	25,080	4,750	(2)15	143,800	15' 5-1/4"	9' 3"	10' 1"
AT 220-3K12	676	14,100	25,180	4,800	(2)20	157,400	15' 5-1/4"	9' 3"	10' 1"
AT 220-3L12	722	14,200	25,280	4,850	(2)25	168,900	15' 5-1/4"	9' 3"	10' 1"
AT 220-3M12	760	14,400	25,480	4,950	(2)30	179,000	15' 5-1/4"	9' 3"	10' 1"
AT 220-4I12	555	14,700	25,780	5,100	(2)10	124,700	16' 5-1/4"	10' 3"	11' 1"
AT 220-4J12	644	14,840	25,920	5,170	(2)15	141,600	16' 5-1/4"	10' 3"	11' 1"
AT 220-4K12	701	14,940	26,020	5,220	(2)20	155,000	16' 5-1/4"	10' 3"	11' 1"
AT 220-4L12	746	15,040	26,120	5,270	(2)25	166,300	16' 5-1/4"	10' 3"	11' 1"
AT 220-4M12	785	15,240	26,320	5,370	(2)30	176,100	16' 5-1/4"	10' 3"	11' 1"
AT 220-4N12	820	15,740	26,820	5,620	(2)35	184,800	16' 5-1/4"	10' 3"	11' 1"
UT Addition		1,400	1,400	700			1' 9-1/2"	1' 9-1/2"	

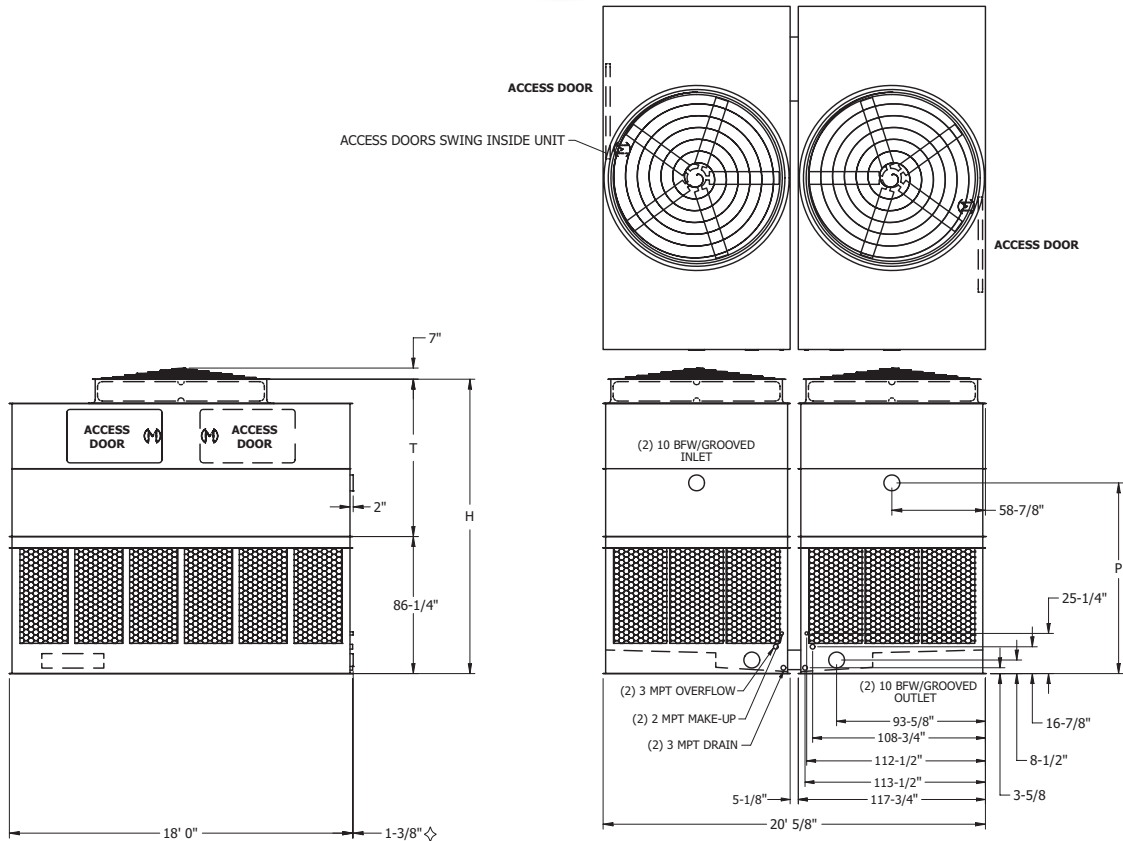
- NOTE: (1) An adequately sized bleed line must be installed in the cooling tower system to prevent build-up of impurities in the recirculated water.
 (2) Do not use catalog drawings for certified prints. Dimensions and weights are subject to change.
 (3) Adequate spacing must be allowed for access to the cooling tower. Refer to EVAPCO's Equipment Layout Manual.
 (4) Nominal Tonnage is based on 3 gpm per ton at 95 degree entering water temperature, 85 degree leaving water temperature, and 78 degree wet-bulb temperature.

◇ Outlet connection extends beyond bottom flange.
 † Height includes fan guard which ships factory mounted.

♦ Heaviest section is upper section.

Models: AT/UT/USS 220-2I18 to 220-4N18

Two-Cell Cooling Towers



Model No.	Nominal Tonnage	WEIGHTS (LBS)			Fan Motor (HP)	Air Flow (CFM)	DIMENSIONS		
		Shipping	Operating	Heaviest Section [◆]			H [†]	T [†]	P
AT 220-2I18	580	17,820	34,630	5,640	(2)10	171,200	15' 5-1/4"	8' 3"	10' 0"
AT 220-2J18	701	17,960	34,770	5,710	(2)15	194,700	15' 5-1/4"	8' 3"	10' 0"
AT 220-2K18	779	18,060	34,870	5,760	(2)20	213,400	15' 5-1/4"	8' 3"	10' 0"
AT 220-2L18	840	18,160	34,970	5,810	(2)25	229,100	15' 5-1/4"	8' 3"	10' 0"
AT 220-2M18	890	18,360	35,170	5,910	(2)30	242,900	15' 5-1/4"	8' 3"	10' 0"
AT 220-3I18	667	19,200	36,010	6,330	(2)10	168,600	16' 5-1/4"	9' 3"	11' 0"
AT 220-3J18	790	19,340	36,150	6,400	(2)15	191,700	16' 5-1/4"	9' 3"	11' 0"
AT 220-3K18	873	19,440	36,250	6,450	(2)20	209,900	16' 5-1/4"	9' 3"	11' 0"
AT 220-3L18	941	19,540	36,350	6,500	(2)25	225,100	16' 5-1/4"	9' 3"	11' 0"
AT 220-3M18	997	19,740	36,550	6,600	(2)30	238,400	16' 5-1/4"	9' 3"	11' 0"
AT 220-3N18	1,093	20,240	37,050	6,850	(2)40	260,900	16' 5-1/4"	9' 3"	11' 0"
AT 220-4I18	727	20,460	37,270	6,960	(2)10	165,700	17' 5-1/4"	10' 3"	12' 0"
AT 220-4J18	839	20,600	37,410	7,030	(2)15	188,500	17' 5-1/4"	10' 3"	12' 0"
AT 220-4K18	921	20,700	37,510	7,080	(2)20	206,500	17' 5-1/4"	10' 3"	12' 0"
AT 220-4L18	987	20,800	37,610	7,130	(2)25	221,600	17' 5-1/4"	10' 3"	12' 0"
AT 220-4M18	1,044	21,000	37,810	7,230	(2)30	234,700	17' 5-1/4"	10' 3"	12' 0"
AT 220-4N18	1,140	21,500	38,310	7,480	(2)40	256,800	17' 5-1/4"	10' 3"	12' 0"
UT Addition		1,400	1,400	700			1' 9-1/2"	1' 9-1/2"	

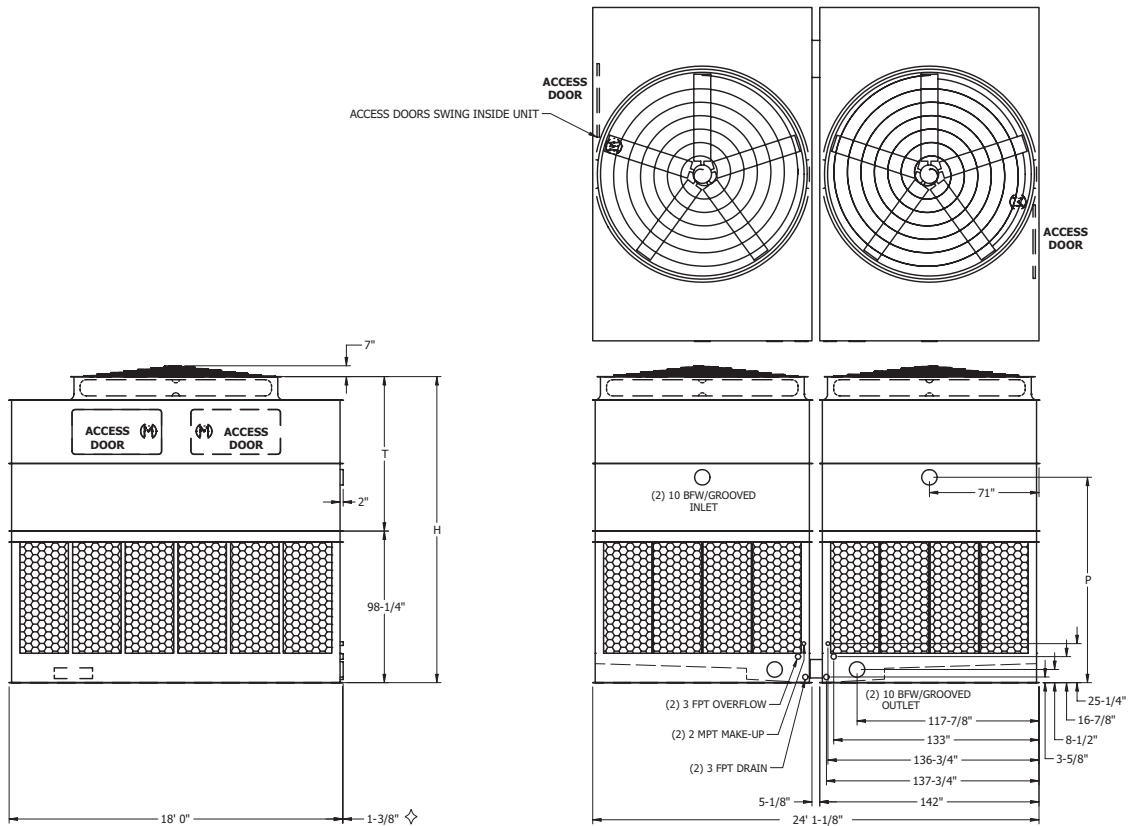
- NOTE: (1) An adequately sized bleed line must be installed in the cooling tower system to prevent build-up of impurities in the recirculated water.
 (2) Do not use catalog drawings for certified prints. Dimensions and weights are subject to change.
 (3) Adequate spacing must be allowed for access to the cooling tower. Refer to EVAPCO's Equipment Layout Manual.
 (4) Nominal Tonnage is based on 3 gpm per ton at 95 degree entering water temperature, 85 degree leaving water temperature, and 78 degree wet-bulb temperature.

◆ Outlet connection extends beyond bottom flange.
 † Height includes fan guard which ships factory mounted.

◆ Heaviest section is upper section.

Models: AT/UT/USS 224-2J18 to 224-4P18

Two-Cell Cooling Towers



Model No.	Nominal Tonnage	WEIGHTS (LBS)			Fan Motor (HP)	Air Flow (CFM)	DIMENSIONS		
		Shipping	Operating	Heaviest Section [†]			H [†]	T [†]	P
AT 224-2J18	877	20,840	39,380	6,700	(2)15	219,400	16' 6-1/4"	8' 4"	11' 1"
AT 224-2K18	994	20,960	39,500	6,760	(2)20	240,300	16' 6-1/4"	8' 4"	11' 1"
AT 224-2L18	1,051	21,060	39,600	6,810	(2)25	258,200	16' 6-1/4"	8' 4"	11' 1"
AT 224-2M18	1,107	21,280	39,820	6,920	(2)30	273,700	16' 6-1/4"	8' 4"	11' 1"
AT 224-2N18	1,219	21,800	40,340	7,180	(2)40	299,800	16' 6-1/4"	8' 4"	11' 1"
AT 224-3J18	977	22,400	40,940	7,480	(2)15	216,100	17' 6-1/4"	9' 4"	12' 1"
AT 224-3K18	1,092	22,520	41,060	7,540	(2)20	236,500	17' 6-1/4"	9' 4"	12' 1"
AT 224-3L18	1,161	22,620	41,160	7,590	(2)25	253,800	17' 6-1/4"	9' 4"	12' 1"
AT 224-3M18	1,227	22,840	41,380	7,700	(2)30	268,800	17' 6-1/4"	9' 4"	12' 1"
AT 224-3N18	1,350	23,360	41,900	7,960	(2)40	294,100	17' 6-1/4"	9' 4"	12' 1"
AT 224-3O18	1,448	23,480	42,020	8,020	(2)50	315,700	17' 6-1/4"	9' 4"	12' 1"
AT 224-4J18	1,035	23,880	42,420	8,220	(2)15	212,500	18' 6-1/4"	10' 4"	13' 1"
AT 224-4K18	1,145	24,000	42,540	8,280	(2)20	232,700	18' 6-1/4"	10' 4"	13' 1"
AT 224-4L18	1,213	24,100	42,640	8,330	(2)25	249,800	18' 6-1/4"	10' 4"	13' 1"
AT 224-4M18	1,283	24,320	42,860	8,440	(2)30	264,500	18' 6-1/4"	10' 4"	13' 1"
AT 224-4N18	1,409	24,840	43,380	8,700	(2)40	289,300	18' 6-1/4"	10' 4"	13' 1"
AT 224-4O18	1,513	24,960	43,500	8,760	(2)50	310,000	18' 6-1/4"	10' 4"	13' 1"
AT 224-4P18	1,570	25,180	43,720	8,870	(2)60	328,500	18' 6-1/4"	10' 4"	13' 1"
UT Addition		2,400	2,400	1,200			1' 3-1/2"	1' 3-1/2"	

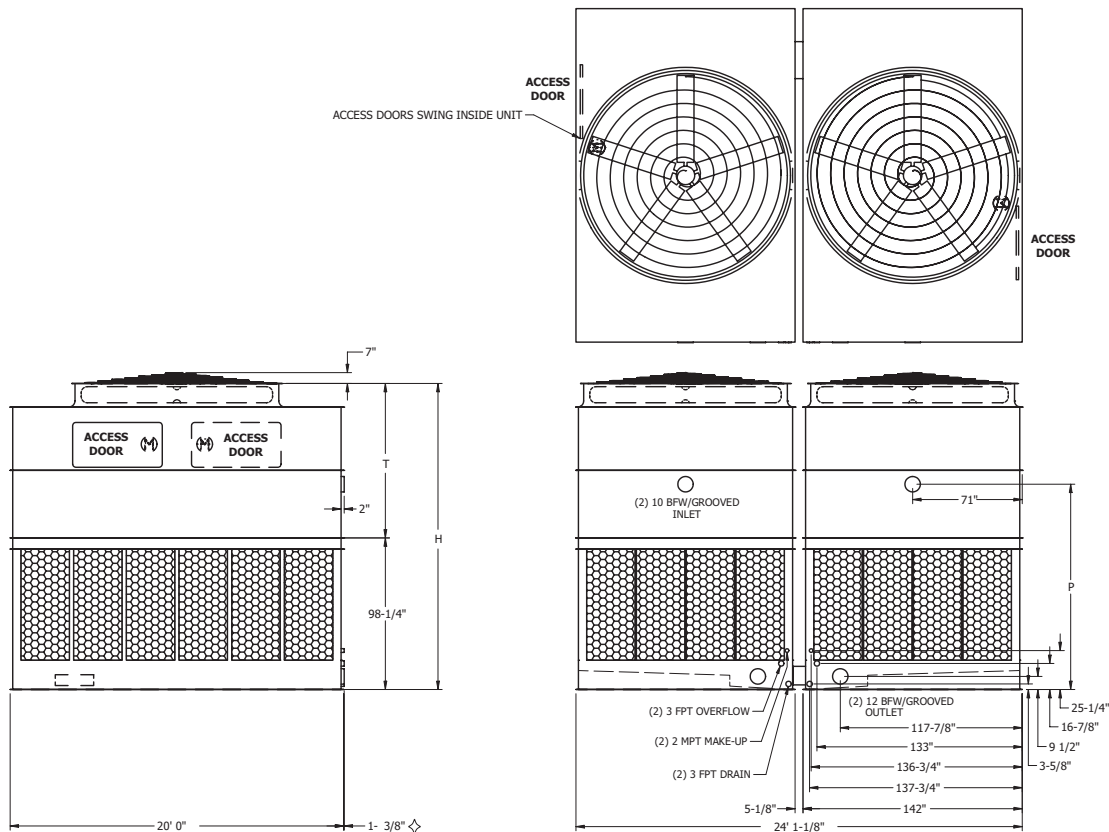
- NOTE: (1) An adequately sized bleed line must be installed in the cooling tower system to prevent build-up of impurities in the recirculated water.
 (2) Do not use catalog drawings for certified prints. Dimensions and weights are subject to change.
 (3) Adequate spacing must be allowed for access to the cooling tower. Refer to EVAPCO's Equipment Layout Manual.
 (4) Nominal Tonnage is based on 3 gpm per ton at 95 degree entering water temperature, 85 degree leaving water temperature, and 78 degree wet-bulb temperature.

◇ Outlet connection extends beyond bottom flange.
 † Height includes fan guard which ships factory mounted.

◆ Heaviest section is upper section.

Models: AT/UT/USS 224-2K20 to 224-4P20

Two-Cell Cooling Towers



Model No.	Nominal Tonnage	Weights (LBS)			Fan Motor (HP)	Air Flow (CFM)	Dimensions		
		Shipping	Operating	Heaviest Section†			H†	T†	P
AT 224-2K20	893	22,300	43,100	7,210	(2)20	244,300	16' 6-1/4"	8' 4"	11' 1"
AT 224-2L20	986	22,400	43,200	7,260	(2)25	262,200	16' 6-1/4"	8' 4"	11' 1"
AT 224-2M20	1,061	22,620	43,420	7,370	(2)30	277,900	16' 6-1/4"	8' 4"	11' 1"
AT 224-2N20	1,220	23,140	43,940	7,630	(2)40	304,000	16' 6-1/4"	8' 4"	11' 1"
AT 224-2O20	1,324	23,260	44,060	7,690	(2)50	326,100	16' 6-1/4"	8' 4"	11' 1"
AT 224-3K20	1,046	23,760	44,560	7,940	(2)20	240,300	17' 6-1/4"	9' 4"	12' 1"
AT 224-3L20	1,142	23,860	44,660	7,990	(2)25	257,800	17' 6-1/4"	9' 4"	12' 1"
AT 224-3M20	1,219	24,080	44,880	8,100	(2)30	272,900	17' 6-1/4"	9' 4"	12' 1"
AT 224-3N20	1,366	24,600	45,400	8,360	(2)40	298,300	17' 6-1/4"	9' 4"	12' 1"
AT 224-3O20	1,482	24,720	45,520	8,420	(2)50	319,800	17' 6-1/4"	9' 4"	12' 1"
AT 224-4K20	1,119	25,560	46,360	8,840	(2)20	236,300	18' 6-1/4"	10' 4"	13' 1"
AT 224-4L20	1,210	25,660	46,460	8,890	(2)25	253,500	18' 6-1/4"	10' 4"	13' 1"
AT 224-4M20	1,284	25,880	46,680	9,000	(2)30	268,500	18' 6-1/4"	10' 4"	13' 1"
AT 224-4N20	1,428	26,400	47,200	9,260	(2)40	293,700	18' 6-1/4"	10' 4"	13' 1"
AT 224-4O20	1,545	26,520	47,320	9,320	(2)50	314,700	18' 6-1/4"	10' 4"	13' 1"
AT 224-4P20	1,603	26,740	47,540	9,430	(2)60	333,500	18' 6-1/4"	10' 4"	13' 1"
UT Addition		2,400	2,400	1,200			1' 3-1/2"	1' 3-1/2"	

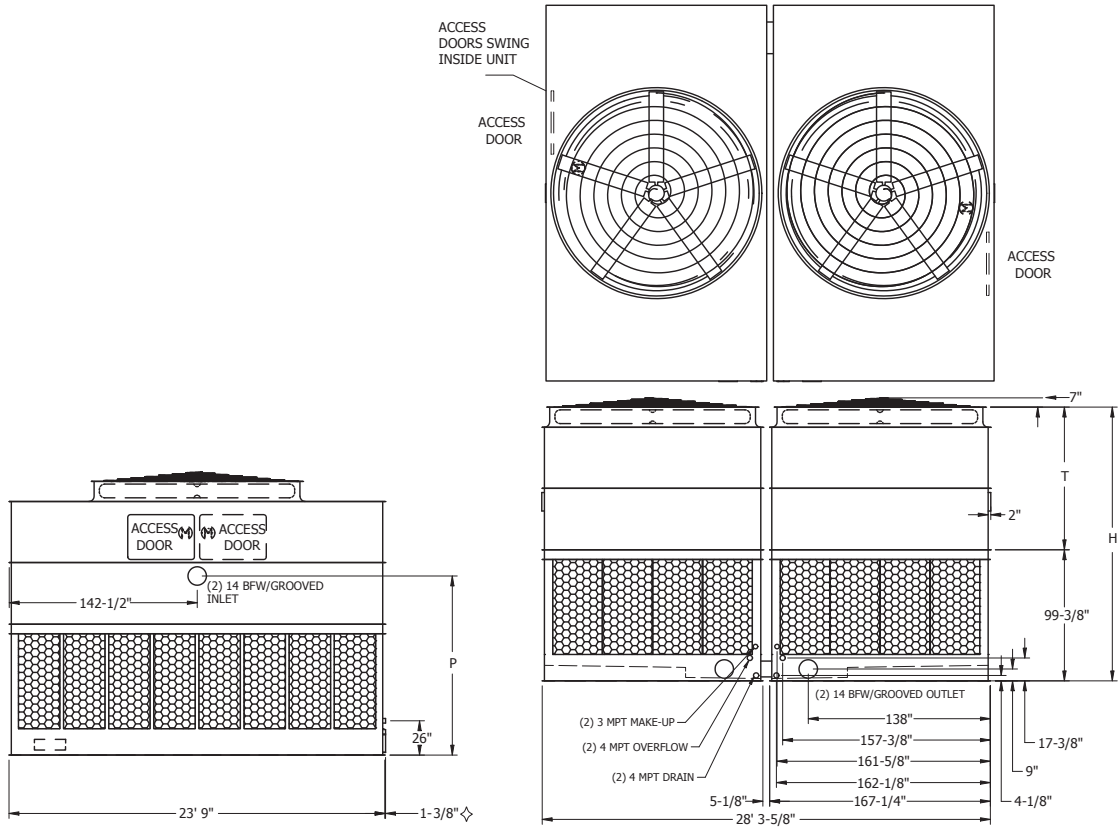
- NOTE: (1) An adequately sized bleed line must be installed in the cooling tower system to prevent build-up of impurities in the recirculated water.
 (2) Do not use catalog drawings for certified prints. Dimensions and weights are subject to change.
 (3) Adequate spacing must be allowed for access to the cooling tower. Refer to EVAPCO's Equipment Layout Manual.
 (4) Nominal Tonnage is based on 3 gpm per ton at 95 degree entering water temperature, 85 degree leaving water temperature, and 78 degree wet-bulb temperature.

◇ Outlet connection extends beyond bottom flange.
 † Height includes fan guard which ships factory mounted.

◆ Heaviest section is upper section.

Models: AT/UT/USS 228-2K24 to 228-4R24

Two-Cell Cooling Towers



Model No.	Nominal Tonnage	WEIGHTS (LBS)			Fan Motor (HP)	Air Flow (CFM)	DIMENSIONS		
		Shipping	Operating	Heaviest Section†			H†	T†	P
AT 228-2K24	1,198	32,320	64,020	10,600	(2)20	312,300	17' 5-5/8"	9' 2-1/4"	11' 3-7/8"
AT 228-2L24	1,329	32,420	64,120	10,650	(2)25	335,200	17' 5-5/8"	9' 2-1/4"	11' 3-7/8"
AT 228-2M24	1,402	32,460	64,160	10,670	(2)30	355,400	17' 5-5/8"	9' 2-1/4"	11' 3-7/8"
AT 228-2N24	1,520	32,760	64,460	10,820	(2)40	389,900	17' 5-5/8"	9' 2-1/4"	11' 3-7/8"
AT 228-2O24	1,633	33,460	65,160	11,170	(2)50	418,800	17' 5-5/8"	9' 2-1/4"	11' 3-7/8"
AT 228-3K24	1,376	34,400	66,100	11,640	(2)20	307,600	18' 5-5/8"	10' 2-1/4"	12' 3-7/8"
AT 228-3L24	1,510	34,500	66,200	11,690	(2)25	330,000	18' 5-5/8"	10' 2-1/4"	12' 3-7/8"
AT 228-3M24	1,582	34,540	66,240	11,710	(2)30	349,800	18' 5-5/8"	10' 2-1/4"	12' 3-7/8"
AT 228-3N24	1,740	34,840	66,540	11,860	(2)40	383,000	18' 5-5/8"	10' 2-1/4"	12' 3-7/8"
AT 228-3O24	1,855	35,540	67,240	12,210	(2)50	411,000	18' 5-5/8"	10' 2-1/4"	12' 3-7/8"
AT 228-3P24	1,969	35,880	67,580	12,380	(2)60	435,100	18' 5-5/8"	10' 2-1/4"	12' 3-7/8"
AT 228-4K24	1,508	36,480	68,180	12,680	(2)20	302,100	19' 5-5/8"	11' 2-1/4"	13' 3-7/8"
AT 228-4L24	1,630	36,580	68,280	12,730	(2)25	324,200	19' 5-5/8"	11' 2-1/4"	13' 3-7/8"
AT 228-4M24	1,706	36,620	68,320	12,750	(2)30	343,700	19' 5-5/8"	11' 2-1/4"	13' 3-7/8"
AT 228-4N24	1,853	36,920	68,620	12,900	(2)40	376,600	19' 5-5/8"	11' 2-1/4"	13' 3-7/8"
AT 228-4O24	1,952	37,620	69,320	13,250	(2)50	404,400	19' 5-5/8"	11' 2-1/4"	13' 3-7/8"
AT 228-4P24	2,067	37,960	69,660	13,420	(2)60	428,100	19' 5-5/8"	11' 2-1/4"	13' 3-7/8"
AT 228-4Q24	2,221	38,440	70,140	13,660	(2)75	458,900	19' 5-5/8"	11' 2-1/4"	13' 3-7/8"
AT 228-4R24*	2,350	39,320	71,020	14,100	(2)100	502,900	19' 5-5/8"	11' 2-1/4"	13' 3-7/8"
UT Addition		2,500	2,500	1,250			1' 1-1/2"	1' 1-1/2"	

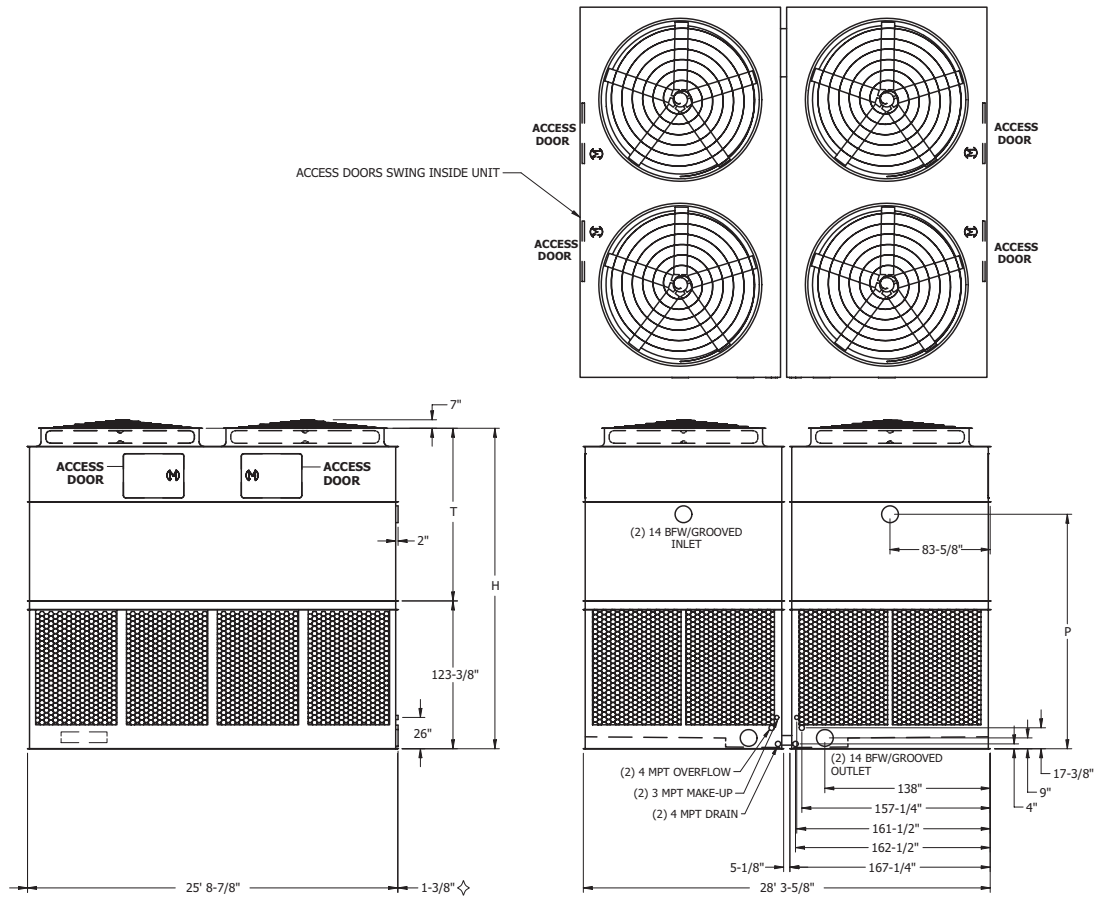
NOTE: (1) An adequately sized bleed line must be installed in the cooling tower system to prevent build-up of impurities in the recirculated water.
 (2) Do not use catalog drawings for certified prints. Dimensions and weights are subject to change.
 (3) Adequate spacing must be allowed for access to the cooling tower. Refer to EVAPCO's Equipment Layout Manual.
 (4) Nominal Tonnage is based on 3 gpm per ton at 95 degree entering water temperature, 85 degree leaving water temperature, and 78 degree wet-bulb temperature.

◇ Outlet connection extends beyond bottom flange. † Heaviest section is upper section.
 † Height includes fan guard which ships factory mounted.

* Model available with gear drive only. Motors and access doors located on 28'3-5/8" unit end. Super Low Sound Fan is not available on this unit.

Models: AT/UT/USS 228-5K26 to 228-5O26

Two-Cell Cooling Towers



Model No.	Nominal Tonnage	WEIGHTS (LBS)			Fan Motor (HP)	Air Flow (CFM)	DIMENSIONS		
		Shipping	Operating	Heaviest Section [‡]			H [†]	T [†]	P
AT 228-5K26	1,963	48,940	82,600	17,660	(4)20	392,000	22' 3-1/2"	12' 1/8"	16' 3-3/4"
AT 228-5L26	2,111	49,060	82,720	17,720	(4)25	420,400	22' 3-1/2"	12' 1/8"	16' 3-3/4"
AT 228-5M26	2,236	49,260	82,920	17,820	(4)30	445,100	22' 3-1/2"	12' 1/8"	16' 3-3/4"
AT 228-5N26	2,443	49,900	83,560	18,140	(4)40	486,800	22' 3-1/2"	12' 1/8"	16' 3-3/4"
AT 228-5O26	2,613	49,940	83,600	18,160	(4)50	521,700	22' 3-1/2"	12' 1/8"	16' 3-3/4"
UT Addition		♣	4,800	♣			1' 3-1/2"	1' 3-1/2"	

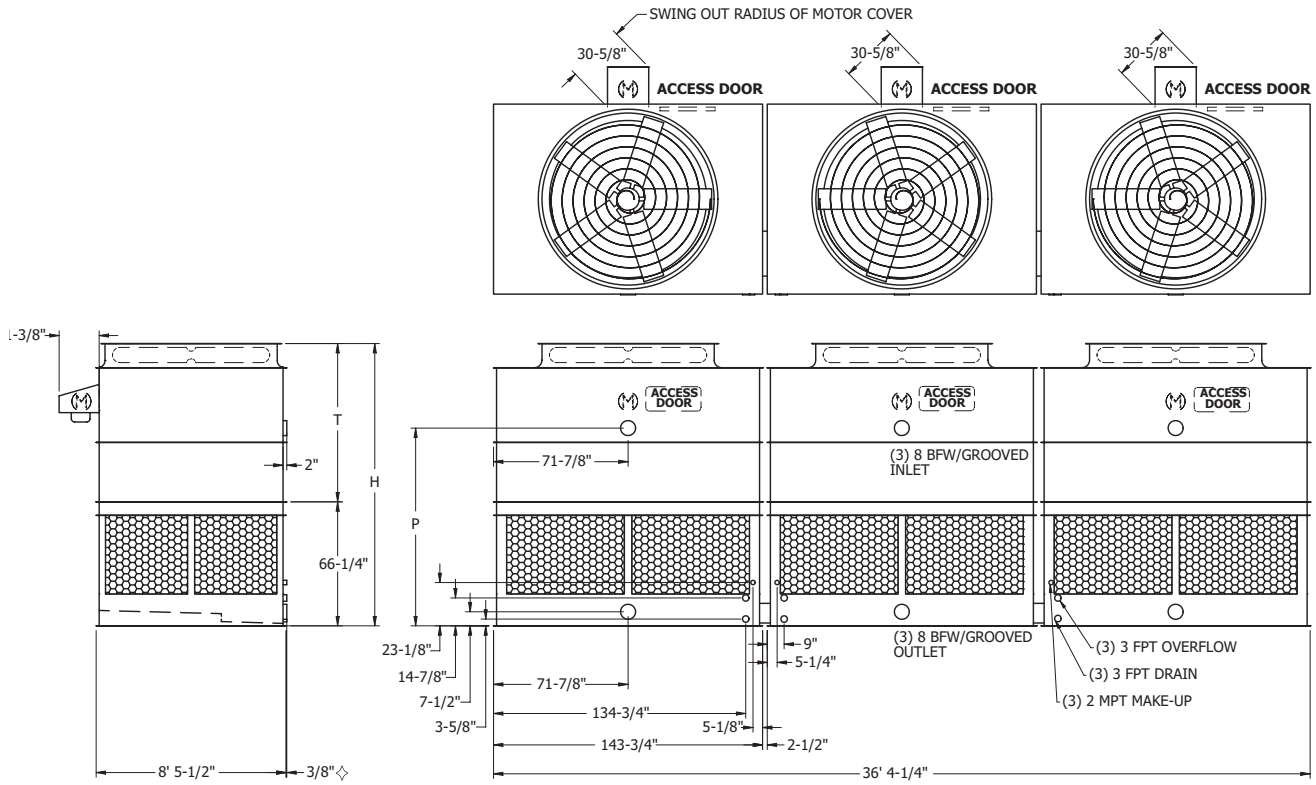
- NOTE: (1) An adequately sized bleed line must be installed in the cooling tower system to prevent build-up of impurities in the recirculated water.
 (2) Do not use catalog drawings for certified prints. Dimensions and weights are subject to change.
 (3) Adequate spacing must be allowed for access to the cooling tower. Refer to EVAPCO's Equipment Layout Manual.
 (4) Nominal Tonnage is based on 3 gpm per ton at 95 degree entering water temperature, 85 degree leaving water temperature, and 78 degree wet-bulb temperature.

♠ Outlet connection extends beyond bottom flange.
 † Height includes fan guard which ships factory mounted.

‡ Heaviest section is upper section.
 ♣ Please consult the factory for additional information regarding shipping and section weight changes.

Models: AT/UT/USS 39-2H36 to 39-4M36

Three-Cell Cooling Towers



Model No.	Nominal Tonnage	WEIGHTS (LBS)			Fan Motor (HP)	Air Flow (CFM)	DIMENSIONS		
		Shipping	Operating	Heaviest Section†			H†	T†	P
AT 39-2H36	605	15,300	26,880	3,430	(3)7.5	150,900	12' 6-3/4"	7' 1/2"	8' 9-1/2"
AT 39-2I36	686	15,390	26,970	3,460	(3)10	165,200	12' 6-3/4"	7' 1/2"	8' 9-1/2"
AT 39-2J36	765	15,630	27,210	3,540	(3)15	188,200	12' 6-3/4"	7' 1/2"	8' 9-1/2"
AT 39-2K36	843	15,750	27,330	3,580	(3)20	206,200	12' 6-3/4"	7' 1/2"	8' 9-1/2"
AT 39-3H36	682	16,380	27,960	3,790	(3)7.5	148,600	13' 6-3/4"	8' 1/2"	9' 9-1/2"
AT 39-3I36	763	16,470	28,050	3,820	(3)10	162,500	13' 6-3/4"	8' 1/2"	9' 9-1/2"
AT 39-3J36	862	16,710	28,290	3,900	(3)15	184,700	13' 6-3/4"	8' 1/2"	9' 9-1/2"
AT 39-3K36	951	16,830	28,410	3,940	(3)20	202,100	13' 6-3/4"	8' 1/2"	9' 9-1/2"
AT 39-3L36	1,016	16,890	28,470	3,960	(3)25	217,000	13' 6-3/4"	8' 1/2"	9' 9-1/2"
AT 39-4H36	725	17,550	29,130	4,180	(3)7.5	146,100	14' 6-3/4"	9' 1/2"	10' 9-1/2"
AT 39-4I36	800	17,640	29,220	4,210	(3)10	159,900	14' 6-3/4"	9' 1/2"	10' 9-1/2"
AT 39-4J36	893	17,880	29,460	4,290	(3)15	181,900	14' 6-3/4"	9' 1/2"	10' 9-1/2"
AT 39-4K36	984	18,000	29,580	4,330	(3)20	198,900	14' 6-3/4"	9' 1/2"	10' 9-1/2"
AT 39-4L36	1,050	18,060	29,640	4,350	(3)25	213,200	14' 6-3/4"	9' 1/2"	10' 9-1/2"
AT 39-4M36	1,082	18,120	29,700	4,370	(3)30	226,000	14' 6-3/4"	9' 1/2"	10' 9-1/2"
UT Addition		450	450	150			1' 9"	1' 9"	

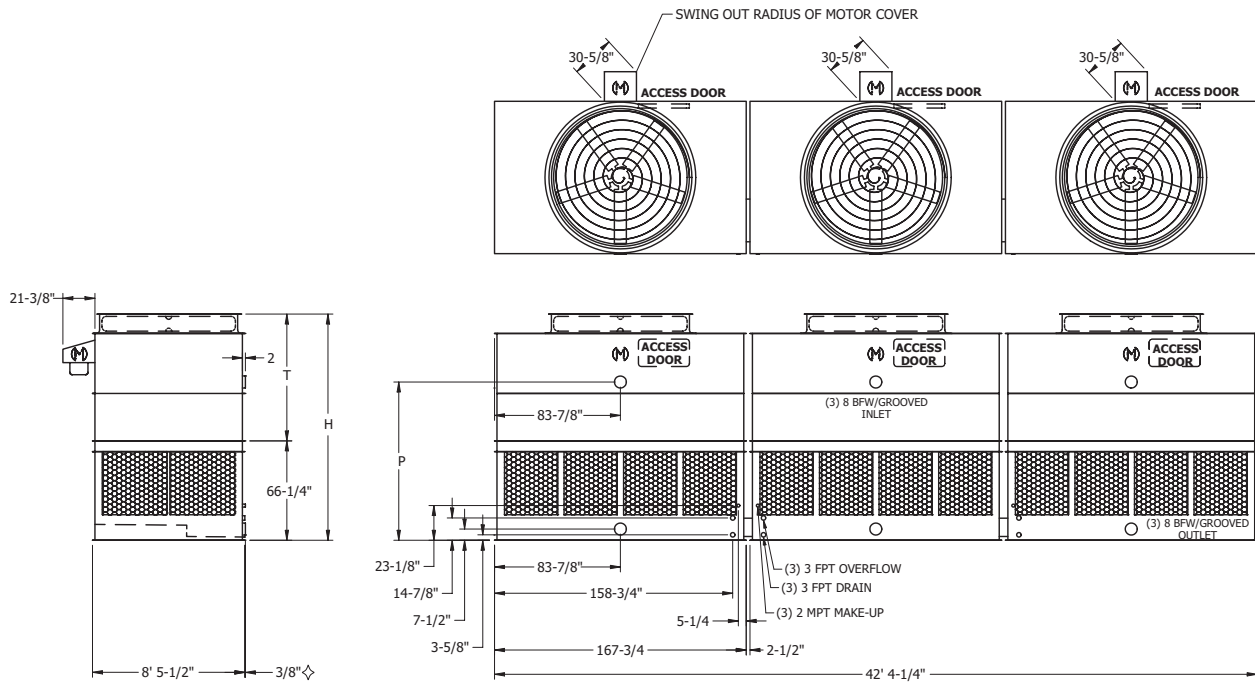
- NOTE: (1) An adequately sized bleed line must be installed in the cooling tower system to prevent build-up of impurities in the recirculated water.
 (2) Do not use catalog drawings for certified prints. Dimensions and weights are subject to change.
 (3) Adequate spacing must be allowed for access to the cooling tower. Refer to EVAPCO's Equipment Layout Manual.
 (4) Nominal Tonnage is based on 3 gpm per ton at 95 degree entering water temperature, 85 degree leaving water temperature, and 78 degree wet-bulb temperature.

◇ Outlet connection extends beyond bottom flange.
 † Height includes fan guard which ships factory mounted.

◆ Heaviest section is upper section.

Models: AT/UT/USS 39-2H42 to 39-4M42

Three-Cell Cooling Towers



Model No.	Nominal Tonnage	WEIGHTS (LBS)			Fan Motor (HP)	Air Flow (CFM)	DIMENSIONS		
		Shipping	Operating	Heaviest Section [†]			H [†]	T [†]	P
AT 39-2H42	664	16,680	30,210	3,680	(3)7.5	167,700	12' 6-3/4"	7' 1/2"	8' 9-1/2"
AT 39-2I42	754	16,770	30,300	3,710	(3)10	183,700	12' 6-3/4"	7' 1/2"	8' 9-1/2"
AT 39-2J42	840	17,010	30,540	3,790	(3)15	209,300	12' 6-3/4"	7' 1/2"	8' 9-1/2"
AT 39-2K42	927	17,130	30,660	3,830	(3)20	229,300	12' 6-3/4"	7' 1/2"	8' 9-1/2"
AT 39-2L42	1,011	17,190	30,720	3,850	(3)25	246,000	12' 6-3/4"	7' 1/2"	8' 9-1/2"
AT 39-3H42	748	17,910	31,440	4,090	(3)7.5	165,200	13' 6-3/4"	8' 1/2"	9' 9-1/2"
AT 39-3I42	839	18,000	31,530	4,120	(3)10	180,800	13' 6-3/4"	8' 1/2"	9' 9-1/2"
AT 39-3J42	945	18,240	31,770	4,200	(3)15	205,600	13' 6-3/4"	8' 1/2"	9' 9-1/2"
AT 39-3K42	1,042	18,360	31,890	4,240	(3)20	224,900	13' 6-3/4"	8' 1/2"	9' 9-1/2"
AT 39-3L42	1,130	18,420	31,950	4,260	(3)25	241,200	13' 6-3/4"	8' 1/2"	9' 9-1/2"
AT 39-3M42	1,197	18,480	32,010	4,280	(3)30	255,600	13' 6-3/4"	8' 1/2"	9' 9-1/2"
AT 39-4H42	799	19,260	32,790	4,540	(3)7.5	162,400	14' 6-3/4"	9' 1/2"	10' 9-1/2"
AT 39-4I42	884	19,350	32,880	4,570	(3)10	177,900	14' 6-3/4"	9' 1/2"	10' 9-1/2"
AT 39-4J42	986	19,590	33,120	4,650	(3)15	202,400	14' 6-3/4"	9' 1/2"	10' 9-1/2"
AT 39-4K42	1,084	19,710	33,240	4,690	(3)20	221,400	14' 6-3/4"	9' 1/2"	10' 9-1/2"
AT 39-4L42	1,174	19,770	33,300	4,710	(3)25	237,200	14' 6-3/4"	9' 1/2"	10' 9-1/2"
AT 39-4M42	1,239	19,830	33,360	4,730	(3)30	251,100	14' 6-3/4"	9' 1/2"	10' 9-1/2"
UT Addition		450	450	150			1' 9"	1' 9"	

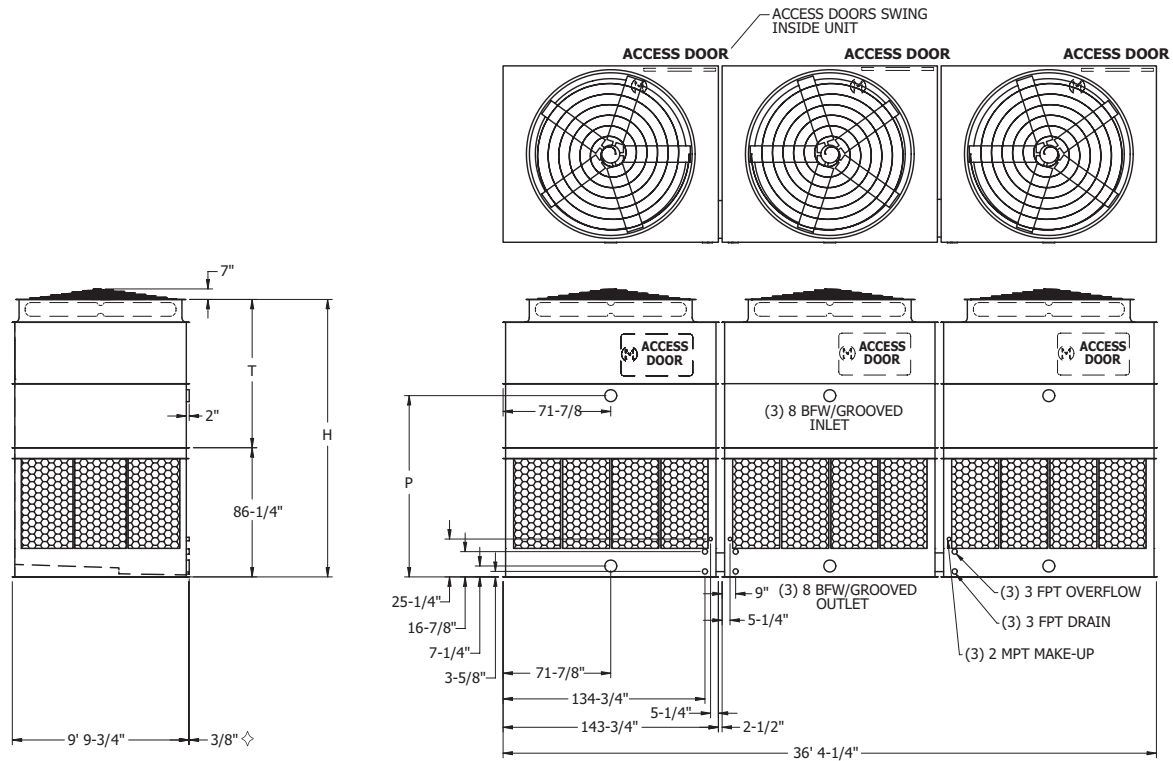
- NOTE: (1) An adequately sized bleed line must be installed in the cooling tower system to prevent build-up of impurities in the recirculated water.
 (2) Do not use catalog drawings for certified prints. Dimensions and weights are subject to change.
 (3) Adequate spacing must be allowed for access to the cooling tower. Refer to EVAPCO's Equipment Layout Manual.
 (4) Nominal Tonnage is based on 3 gpm per ton at 95 degree entering water temperature, 85 degree leaving water temperature, and 78 degree wet-bulb temperature.

◇ Outlet connection extends beyond bottom flange.
 † Height includes fan guard which ships factory mounted.

◆ Heaviest section is upper section.

Models: AT/UT/USS 310-2136 to 310-4N36

Three-Cell Cooling Towers



Model No.	Nominal Tonnage	WEIGHTS (LBS)			Fan Motor (HP)	Air Flow (CFM)	DIMENSIONS		
		Shipping	Operating	Heaviest Section [♦]			H [†]	T [†]	P
AT 310-2136	672	19,380	36,000	4,200	{3}10	194,400	15' 5-1/4"	8' 3"	10' 1"
AT 310-2J36	817	19,590	36,210	4,270	{3}15	220,800	15' 5-1/4"	8' 3"	10' 1"
AT 310-2K36	903	19,740	36,360	4,320	{3}20	242,000	15' 5-1/4"	8' 3"	10' 1"
AT 310-2L36	963	19,890	36,510	4,370	{3}25	259,900	15' 5-1/4"	8' 3"	10' 1"
AT 310-2M36	1,012	20,190	36,810	4,470	{3}30	275,400	15' 5-1/4"	8' 3"	10' 1"
AT 310-3I36	782	20,820	37,440	4,680	{3}10	191,200	16' 5-1/4"	9' 3"	11' 1"
AT 310-3J36	914	21,030	37,650	4,750	{3}15	217,100	16' 5-1/4"	9' 3"	11' 1"
AT 310-3K36	1,000	21,180	37,800	4,800	{3}20	237,600	16' 5-1/4"	9' 3"	11' 1"
AT 310-3L36	1,068	21,330	37,950	4,850	{3}25	255,000	16' 5-1/4"	9' 3"	11' 1"
AT 310-3M36	1,126	21,630	38,250	4,950	{3}30	270,100	16' 5-1/4"	9' 3"	11' 1"
AT 310-4I36	821	22,080	38,700	5,100	{3}10	188,100	17' 5-1/4"	10' 3"	12' 1"
AT 310-4J36	953	22,290	38,910	5,170	{3}15	213,700	17' 5-1/4"	10' 3"	12' 1"
AT 310-4K36	1,038	22,440	39,060	5,220	{3}20	234,000	17' 5-1/4"	10' 3"	12' 1"
AT 310-4L36	1,106	22,590	39,210	5,270	{3}25	251,000	17' 5-1/4"	10' 3"	12' 1"
AT 310-4M36	1,164	22,890	39,510	5,370	{3}30	265,800	17' 5-1/4"	10' 3"	12' 1"
AT 310-4N36	1,216	23,640	40,260	5,620	{3}35	278,900	17' 5-1/4"	10' 3"	12' 1"
UT Addition		2,100	2,100	700			1' 9-1/2"	1' 9-1/2"	

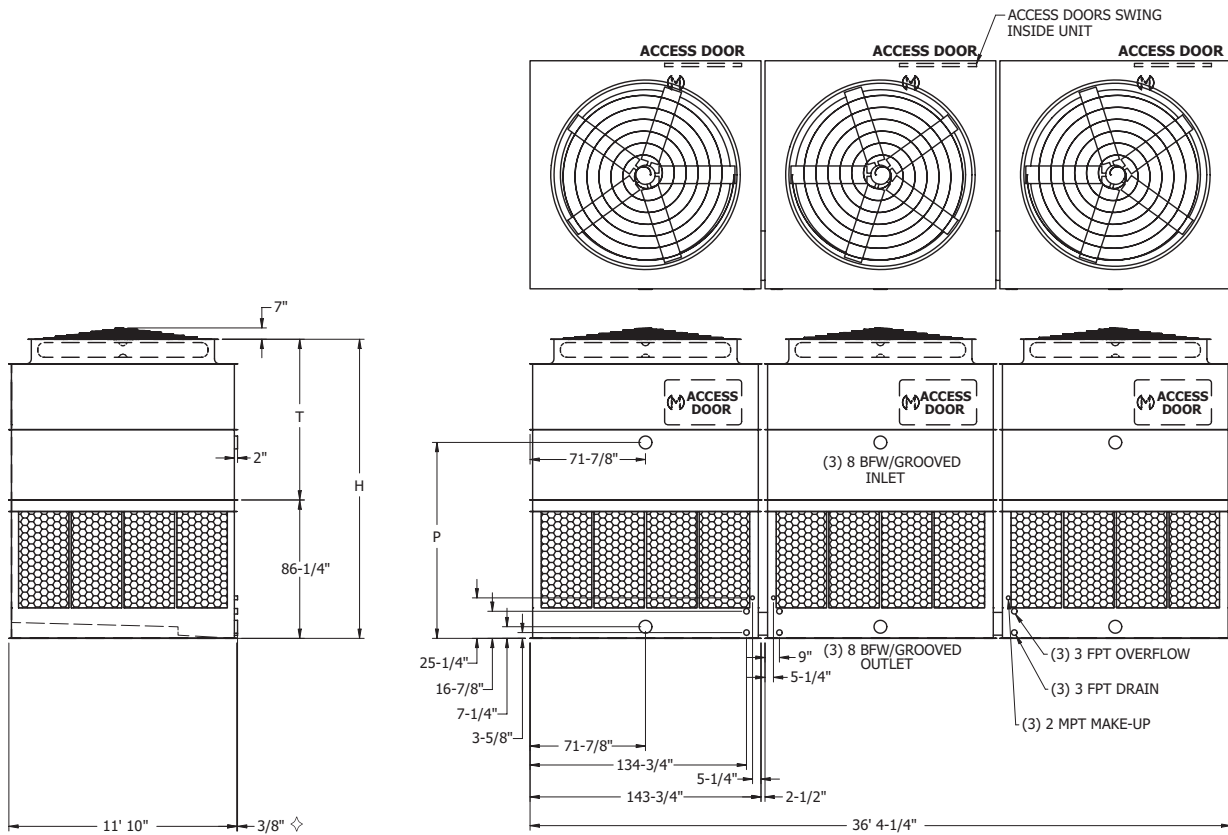
- NOTE: (1) An adequately sized bleed line must be installed in the cooling tower system to prevent build-up of impurities in the recirculated water.
 (2) Do not use catalog drawings for certified prints. Dimensions and weights are subject to change.
 (3) Adequate spacing must be allowed for access to the cooling tower. Refer to EVAPCO's Equipment Layout Manual.
 (4) Nominal Tonnage is based on 3 gpm per ton at 95 degree entering water temperature, 85 degree leaving water temperature, and 78 degree wet-bulb temperature.

◇ Outlet connection extends beyond bottom flange.
 † Height includes fan guard which ships factory mounted.

♦ Heaviest section is upper section.

Models: AT/UT/USS 312-2136 to 312-4N36

Three-Cell Cooling Towers



Model No.	Nominal Tonnage	WEIGHTS (LBS)			Fan Motor (HP)	Air Flow (CFM)	DIMENSIONS		
		Shipping	Operating	Heaviest Section [♦]			H [†]	T [†]	P
AT 312-2136	851	22,812	41,442	4,930	{3}10	216,800	15' 6-1/4"	8' 4"	10' 2"
AT 312-2J36	1,014	23,022	41,652	5,000	{3}15	246,400	15' 6-1/4"	8' 4"	10' 2"
AT 312-2K36	1,106	23,172	41,802	5,050	{3}20	270,100	15' 6-1/4"	8' 4"	10' 2"
AT 312-2L36	1,187	23,322	41,952	5,100	{3}25	290,000	15' 6-1/4"	8' 4"	10' 2"
AT 312-2M36	1,257	23,622	42,252	5,200	{3}30	307,200	15' 6-1/4"	8' 4"	10' 2"
AT 312-3136	960	24,432	43,062	5,470	{3}10	213,500	16' 6-1/4"	9' 4"	11' 2"
AT 312-3J36	1,122	24,642	43,272	5,540	{3}15	242,300	16' 6-1/4"	9' 4"	11' 2"
AT 312-3K36	1,224	24,792	43,422	5,590	{3}20	265,300	16' 6-1/4"	9' 4"	11' 2"
AT 312-3L36	1,316	24,942	43,572	5,640	{3}25	284,500	16' 6-1/4"	9' 4"	11' 2"
AT 312-3M36	1,398	25,242	43,872	5,740	{3}30	301,300	16' 6-1/4"	9' 4"	11' 2"
AT 312-4136	1,021	25,902	44,532	5,960	{3}10	209,900	17' 6-1/4"	10' 4"	12' 2"
AT 312-4J36	1,174	26,112	44,742	6,030	{3}15	238,500	17' 6-1/4"	10' 4"	12' 2"
AT 312-4K36	1,277	26,262	44,892	6,080	{3}20	261,100	17' 6-1/4"	10' 4"	12' 2"
AT 312-4L36	1,375	26,412	45,042	6,130	{3}25	279,900	17' 6-1/4"	10' 4"	12' 2"
AT 312-4M36	1,458	26,712	45,342	6,230	{3}30	296,200	17' 6-1/4"	10' 4"	12' 2"
AT 312-4N36	1,560	27,462	46,092	6,480	{3}40	324,200	17' 6-1/4"	10' 4"	12' 2"
UT Addition		2,100	2,100	700			1' 9-1/2"	1' 9-1/2"	

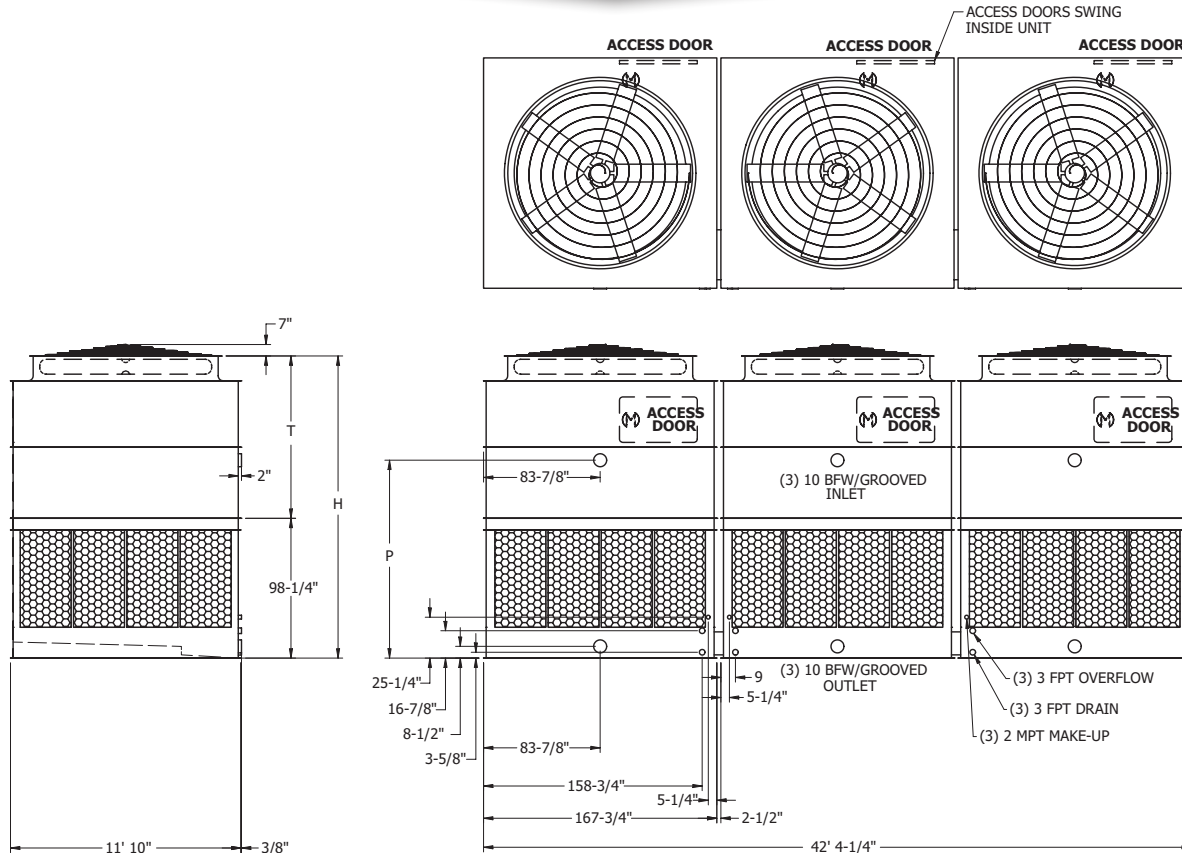
- NOTE: (1) An adequately sized bleed line must be installed in the cooling tower system to prevent build-up of impurities in the recirculated water.
 (2) Do not use catalog drawings for certified prints. Dimensions and weights are subject to change.
 (3) Adequate spacing must be allowed for access to the cooling tower. Refer to EVAPCO's Equipment Layout Manual.
 (4) Nominal Tonnage is based on 3 gpm per ton at 95 degree entering water temperature, 85 degree leaving water temperature, and 78 degree wet-bulb temperature.

◇ Outlet connection extends beyond bottom flange.
 † Height includes fan guard which ships factory mounted.

♦ Heaviest section is upper section.

Models: AT/UT/USS 312-2I42 to 312-4N42

Three-Cell Cooling Towers



Model No.	Nominal Tonnage	WEIGHTS (LBS)			Fan Motor (HP)	Air Flow (CFM)	DIMENSIONS		
		Shipping	Operating	Heaviest Section [♦]			H [†]	T [†]	P
AT 312-2I42	910	25,560	47,550	5,360	(3)10	235,500	16' 6-1/4"	8' 4"	11' 1"
AT 312-2J42	1,091	25,770	47,760	5,430	(3)15	267,800	16' 6-1/4"	8' 4"	11' 1"
AT 312-2K42	1,195	25,950	47,940	5,490	(3)20	293,600	16' 6-1/4"	8' 4"	11' 1"
AT 312-2L42	1,289	26,130	48,120	5,550	(3)25	315,200	16' 6-1/4"	8' 4"	11' 1"
AT 312-2M42	1,366	26,340	48,330	5,620	(3)30	334,000	16' 6-1/4"	8' 4"	11' 1"
AT 312-3I42	1,045	27,540	49,530	6,020	(3)10	231,900	17' 6-1/4"	9' 4"	12' 1"
AT 312-3J42	1,229	27,750	49,740	6,090	(3)15	263,400	17' 6-1/4"	9' 4"	12' 1"
AT 312-3K42	1,330	27,930	49,920	6,150	(3)20	288,500	17' 6-1/4"	9' 4"	12' 1"
AT 312-3L42	1,428	28,110	50,100	6,210	(3)25	309,500	17' 6-1/4"	9' 4"	12' 1"
AT 312-3M42	1,519	28,320	50,310	6,280	(3)30	327,600	17' 6-1/4"	9' 4"	12' 1"
AT 312-3N42	1,662	29,100	51,090	6,540	(3)40	358,900	17' 6-1/4"	9' 4"	12' 1"
AT 312-4I42	1,123	29,100	51,090	6,540	(3)10	227,900	18' 6-1/4"	10' 4"	13' 1"
AT 312-4J42	1,293	29,310	51,300	6,610	(3)15	259,100	18' 6-1/4"	10' 4"	13' 1"
AT 312-4K42	1,395	29,490	51,480	6,670	(3)20	284,000	18' 6-1/4"	10' 4"	13' 1"
AT 312-4L42	1,495	29,670	51,660	6,730	(3)25	304,600	18' 6-1/4"	10' 4"	13' 1"
AT 312-4M42	1,589	29,880	51,870	6,800	(3)30	322,400	18' 6-1/4"	10' 4"	13' 1"
AT 312-4N42	1,738	30,660	52,650	7,060	(3)40	352,500	18' 6-1/4"	10' 4"	13' 1"
UT Addition		2,100	2,100	700			1' 9-1/2"	1' 9-1/2"	

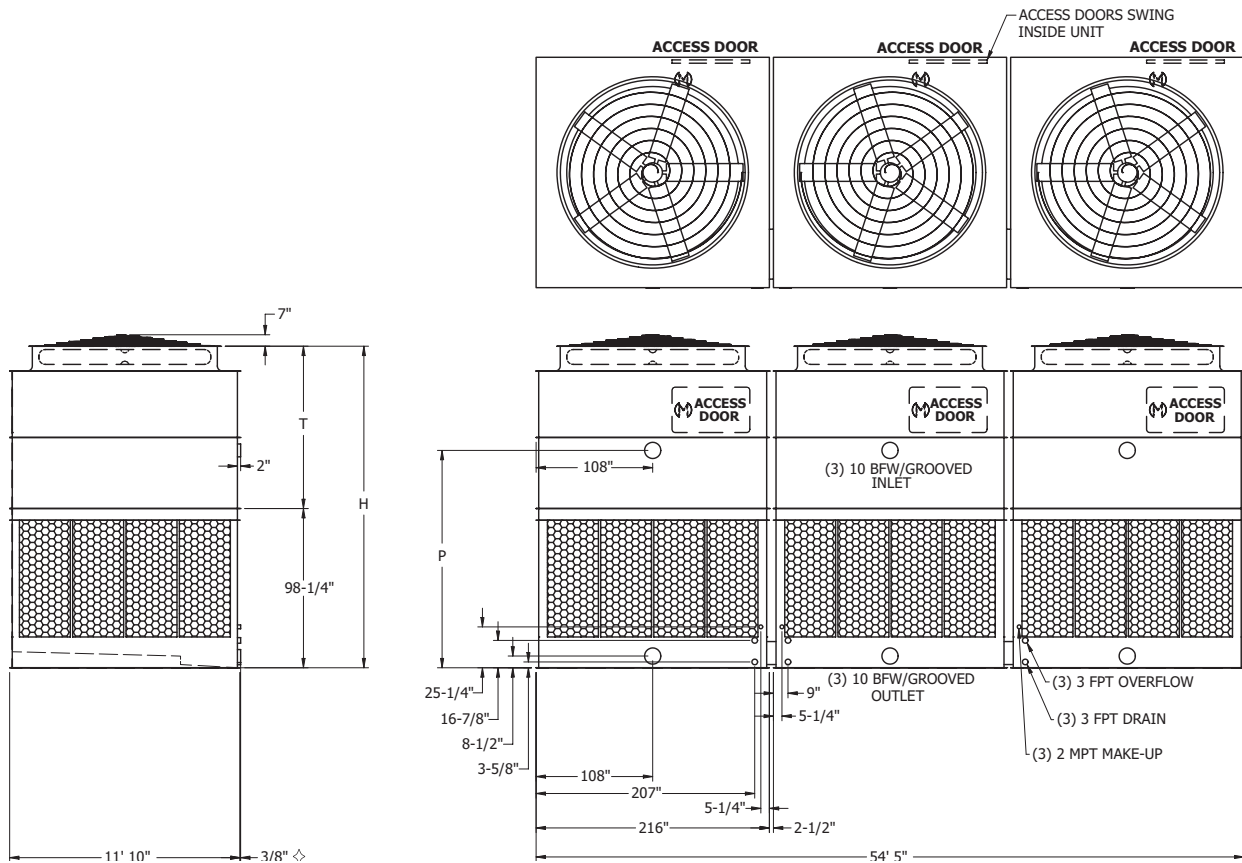
- NOTE: (1) An adequately sized bleed line must be installed in the cooling tower system to prevent build-up of impurities in the recirculated water.
 (2) Do not use catalog drawings for certified prints. Dimensions and weights are subject to change.
 (3) Adequate spacing must be allowed for access to the cooling tower. Refer to EVAPCO's Equipment Layout Manual.
 (4) Nominal Tonnage is based on 3 gpm per ton at 95 degree entering water temperature, 85 degree leaving water temperature, and 78 degree wet-bulb temperature.

♦ Outlet connection extends beyond bottom flange.
 † Height includes fan guard which ships factory mounted.

♦ Heaviest section is upper section.

Models: AT/UT/USS 312-2J54 to 312-4P54

Three-Cell Cooling Towers



Model No.	Nominal Tonnage	WEIGHTS (LBS)			Fan Motor (HP)	Air Flow (CFM)	DIMENSIONS		
		Shipping	Operating	Heaviest Section†			H†	T†	P
AT 312-2J54	1,324	32,622	60,432	6,700	(3)15	330,500	16' 6-1/4"	8' 4"	11' 1"
AT 312-2K54	1,499	32,802	60,612	6,760	(3)20	362,000	16' 6-1/4"	8' 4"	11' 1"
AT 312-2L54	1,586	32,952	60,762	6,810	(3)25	389,000	16' 6-1/4"	8' 4"	11' 1"
AT 312-2M54	1,670	33,282	61,092	6,920	(3)30	412,300	16' 6-1/4"	8' 4"	11' 1"
AT 312-2N54	1,840	34,062	61,872	7,180	(3)40	451,700	16' 6-1/4"	8' 4"	11' 1"
AT 312-3J54	1,473	34,962	62,772	7,480	(3)15	325,600	17' 6-1/4"	9' 4"	12' 1"
AT 312-3K54	1,648	35,142	62,952	7,540	(3)20	356,200	17' 6-1/4"	9' 4"	12' 1"
AT 312-3L54	1,752	35,292	63,102	7,590	(3)25	382,300	17' 6-1/4"	9' 4"	12' 1"
AT 312-3M54	1,851	35,622	63,432	7,700	(3)30	404,900	17' 6-1/4"	9' 4"	12' 1"
AT 312-3N54	2,036	36,402	64,212	7,960	(3)40	443,100	17' 6-1/4"	9' 4"	12' 1"
AT 312-3O54	2,182	36,582	64,392	8,020	(3)50	475,700	17' 6-1/4"	9' 4"	12' 1"
AT 312-4J54	1,560	37,182	64,992	8,220	(3)15	320,200	18' 6-1/4"	10' 4"	13' 1"
AT 312-4K54	1,725	37,362	65,172	8,280	(3)20	350,500	18' 6-1/4"	10' 4"	13' 1"
AT 312-4L54	1,828	37,512	65,322	8,330	(3)25	376,300	18' 6-1/4"	10' 4"	13' 1"
AT 312-4M54	1,935	37,842	65,652	8,440	(3)30	398,500	18' 6-1/4"	10' 4"	13' 1"
AT 312-4N54	2,124	38,622	66,432	8,700	(3)40	435,800	18' 6-1/4"	10' 4"	13' 1"
AT 312-4O54	2,281	38,802	66,612	8,760	(3)50	467,000	18' 6-1/4"	10' 4"	13' 1"
AT 312-4P54	2,367	39,132	66,942	8,870	(3)60	494,700	18' 6-1/4"	10' 4"	13' 1"
UT Addition		3,600	3,600	1,200			1' 3-1/2"	1' 3-1/2"	

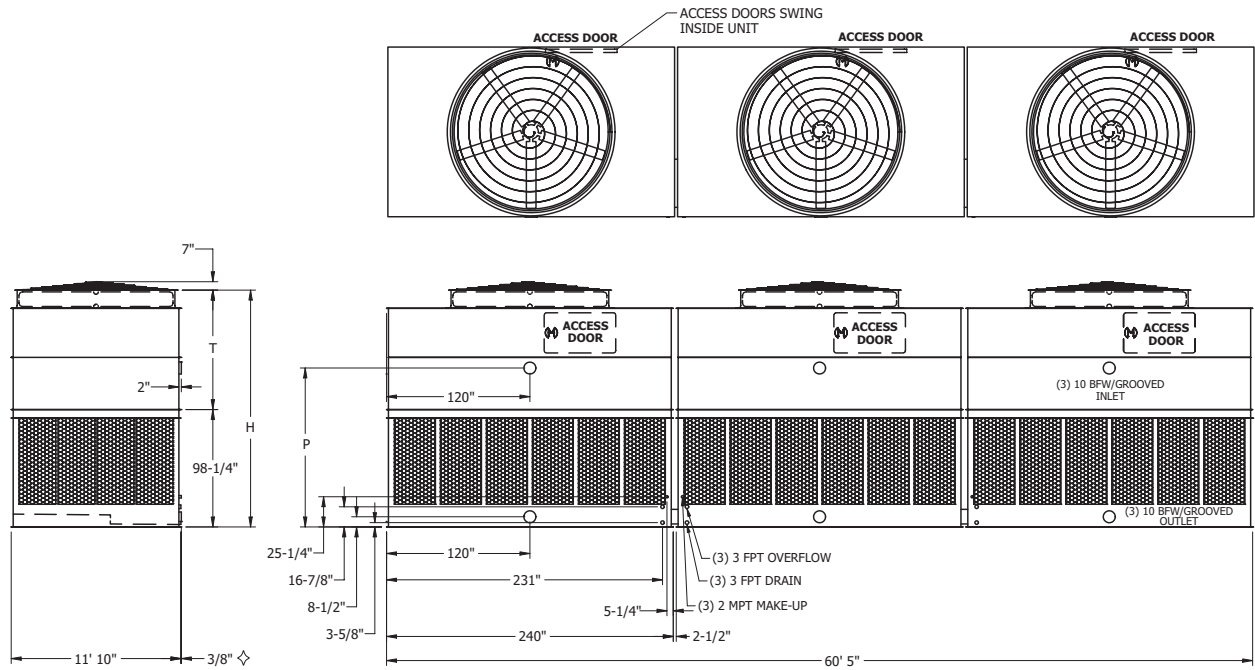
- NOTE: (1) An adequately sized bleed line must be installed in the cooling tower system to prevent build-up of impurities in the recirculated water.
 (2) Do not use catalog drawings for certified prints. Dimensions and weights are subject to change.
 (3) Adequate spacing must be allowed for access to the cooling tower. Refer to EVAPCO's Equipment Layout Manual.
 (4) Nominal Tonnage is based on 3 gpm per ton at 95 degree entering water temperature, 85 degree leaving water temperature, and 78 degree wet-bulb temperature.

◇ Outlet connection extends beyond bottom flange.
 † Height includes fan guard which ships factory mounted.

◆ Heaviest section is upper section.

Models: AT/UT/USS 312-2K60 to 312-4P60

Three-Cell Cooling Towers



Model No.	Nominal Tonnage	WEIGHTS (LBS)			Fan Motor (HP)	Air Flow (CFM)	DIMENSIONS		
		Shipping	Operating	Heaviest Section [†]			H [†]	T [†]	P
AT 312-2K60	1,368	34,872	66,072	7,210	(3)20	369,800	16' 6-1/4"	8' 4"	11' 1"
AT 312-2L60	1,508	35,022	66,222	7,260	(3)25	396,900	16' 6-1/4"	8' 4"	11' 1"
AT 312-2M60	1,622	35,352	66,552	7,370	(3)30	420,600	16' 6-1/4"	8' 4"	11' 1"
AT 312-2N60	1,865	36,132	67,332	7,630	(3)40	460,000	16' 6-1/4"	8' 4"	11' 1"
AT 312-2O60	2,023	36,312	67,512	7,690	(3)50	493,600	16' 6-1/4"	8' 4"	11' 1"
AT 312-3K60	1,600	37,062	68,262	7,940	(3)20	363,700	17' 6-1/4"	9' 4"	12' 1"
AT 312-3L60	1,745	37,212	68,412	7,990	(3)25	390,100	17' 6-1/4"	9' 4"	12' 1"
AT 312-3M60	1,859	37,542	68,742	8,100	(3)30	413,000	17' 6-1/4"	9' 4"	12' 1"
AT 312-3N60	2,083	38,322	69,522	8,360	(3)40	451,400	17' 6-1/4"	9' 4"	12' 1"
AT 312-3O60	2,260	38,502	69,702	8,420	(3)50	484,000	17' 6-1/4"	9' 4"	12' 1"
AT 312-4K60	1,707	39,762	70,962	8,840	(3)20	357,600	18' 6-1/4"	10' 4"	13' 1"
AT 312-4L60	1,844	39,912	71,112	8,890	(3)25	383,700	18' 6-1/4"	10' 4"	13' 1"
AT 312-4M60	1,955	40,242	71,442	9,000	(3)30	406,400	18' 6-1/4"	10' 4"	13' 1"
AT 312-4N60	2,174	41,022	72,222	9,260	(3)40	444,400	18' 6-1/4"	10' 4"	13' 1"
AT 312-4O60	2,352	41,202	72,402	9,320	(3)50	476,100	18' 6-1/4"	10' 4"	13' 1"
AT 312-4P60	2,440	41,532	72,732	9,430	(3)60	504,600	18' 6-1/4"	10' 4"	13' 1"
UT Addition		3,600	3,600	1,200			1' 3-1/2"	1' 3-1/2"	

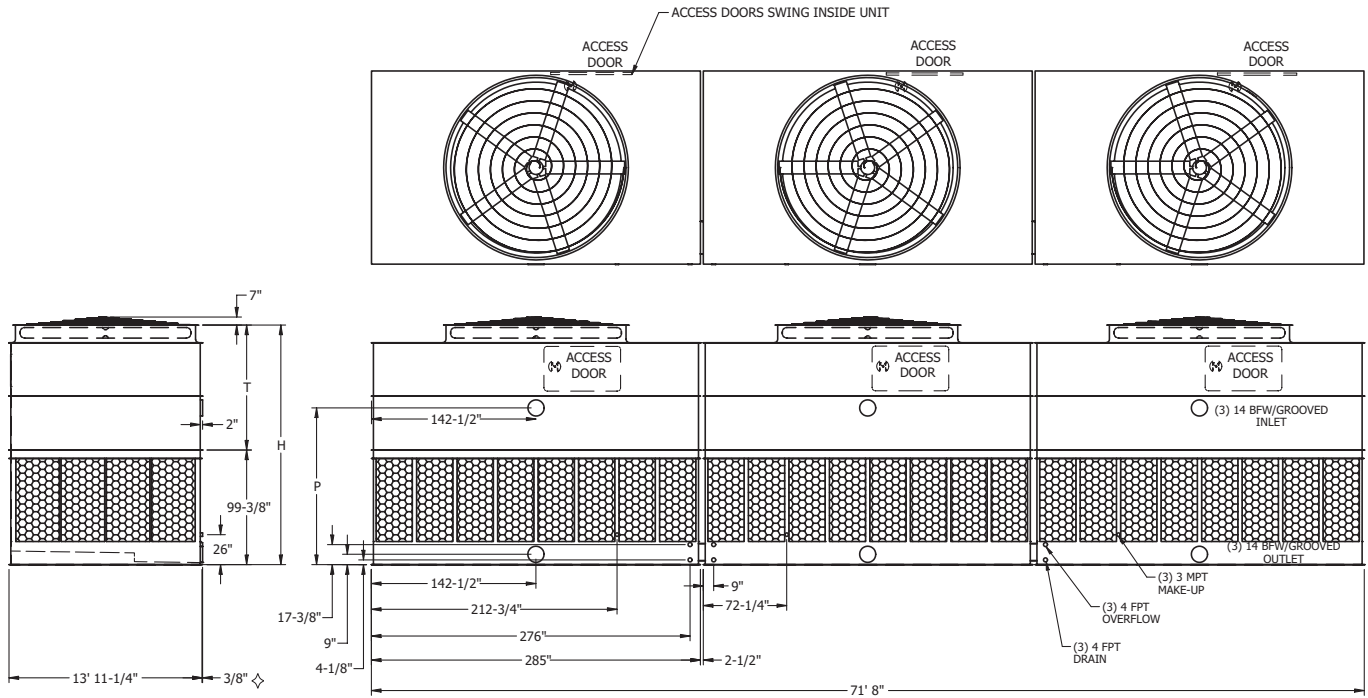
- NOTE: (1) An adequately sized bleed line must be installed in the cooling tower system to prevent build-up of impurities in the recirculated water.
 (2) Do not use catalog drawings for certified prints. Dimensions and weights are subject to change.
 (3) Adequate spacing must be allowed for access to the cooling tower. Refer to EVAPCO's Equipment Layout Manual.
 (4) Nominal Tonnage is based on 3 gpm per ton at 95 degree entering water temperature, 85 degree leaving water temperature, and 78 degree wet-bulb temperature.

◇ Outlet connection extends beyond bottom flange.
 † Height includes fan guard which ships factory mounted.

◆ Heaviest section is upper section.

Models: AT/UT/USS 314-2K72 to 314-4Q72

Three-Cell Cooling Towers



Model No.	Nominal Tonnage	WEIGHTS (LBS)			Fan Motor (HP)	Air Flow (CFM)	DIMENSIONS		
		Shipping	Operating	Heaviest Section [†]			H [†]	T [†]	P
AT 314-2K72	1,789	53,340	100,890	10,600	(3)20	467,000	17' 5-5/8"	9' 2-1/4"	11' 3-7/8"
AT 314-2L72	1,986	53,490	101,040	10,650	(3)25	501,300	17' 5-5/8"	9' 2-1/4"	11' 3-7/8"
AT 314-2M72	2,095	53,550	101,100	10,670	(3)30	531,600	17' 5-5/8"	9' 2-1/4"	11' 3-7/8"
AT 314-2N72	2,271	54,000	101,550	10,820	(3)40	583,200	17' 5-5/8"	9' 2-1/4"	11' 3-7/8"
AT 314-2O72	2,439	55,050	102,600	11,170	(3)50	626,300	17' 5-5/8"	9' 2-1/4"	11' 3-7/8"
AT 314-3K72	2,056	56,460	104,010	11,640	(3)20	460,000	18' 5-5/8"	10' 2-1/4"	12' 3-7/8"
AT 314-3L72	2,257	56,610	104,160	11,690	(3)25	493,500	18' 5-5/8"	10' 2-1/4"	12' 3-7/8"
AT 314-3M72	2,364	56,670	104,220	11,710	(3)30	523,200	18' 5-5/8"	10' 2-1/4"	12' 3-7/8"
AT 314-3N72	2,601	57,120	104,670	11,860	(3)40	572,800	18' 5-5/8"	10' 2-1/4"	12' 3-7/8"
AT 314-3O72	2,773	58,170	105,720	12,210	(3)50	614,600	18' 5-5/8"	10' 2-1/4"	12' 3-7/8"
AT 314-3P72	2,944	58,680	106,230	12,380	(3)60	650,800	18' 5-5/8"	10' 2-1/4"	12' 3-7/8"
AT 314-4K72	2,255	59,580	107,130	12,680	(3)20	451,700	19' 5-5/8"	11' 2-1/4"	13' 3-7/8"
AT 314-4L72	2,437	59,730	107,280	12,730	(3)25	484,800	19' 5-5/8"	11' 2-1/4"	13' 3-7/8"
AT 314-4M72	2,551	59,790	107,340	12,750	(3)30	514,000	19' 5-5/8"	11' 2-1/4"	13' 3-7/8"
AT 314-4N72	2,770	60,240	107,790	12,900	(3)40	563,200	19' 5-5/8"	11' 2-1/4"	13' 3-7/8"
AT 314-4O72	2,919	61,290	108,840	13,250	(3)50	604,800	19' 5-5/8"	11' 2-1/4"	13' 3-7/8"
AT 314-4P72	3,091	61,800	109,350	13,420	(3)60	640,300	19' 5-5/8"	11' 2-1/4"	13' 3-7/8"
AT 314-4Q72	3,322	62,520	110,070	13,660	(3)75	686,300	19' 5-5/8"	11' 2-1/4"	13' 3-7/8"
UT Addition		3,750	3,750	1,250			1' 1-1/2"	1' 1-1/2"	

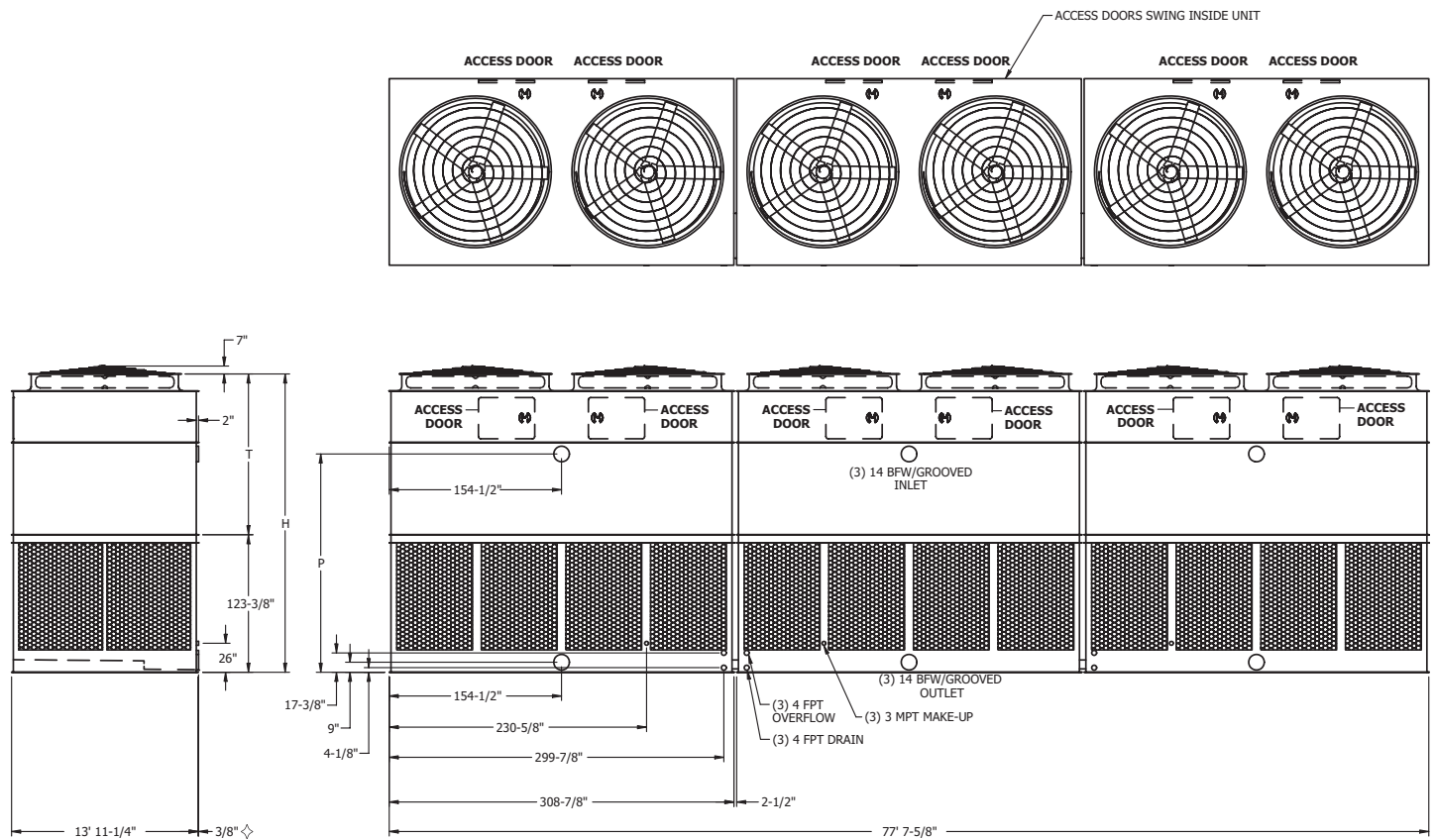
- NOTE: (1) An adequately sized bleed line must be installed in the cooling tower system to prevent build-up of impurities in the recirculated water.
 (2) Do not use catalog drawings for certified prints. Dimensions and weights are subject to change.
 (3) Adequate spacing must be allowed for access to the cooling tower. Refer to EVAPCO's Equipment Layout Manual.
 (4) Nominal Tonnage is based on 3 gpm per ton at 95 degree entering water temperature, 85 degree leaving water temperature, and 78 degree wet-bulb temperature.

◇ Outlet connection extends beyond bottom flange.
 † Height includes fan guard which ships factory mounted.

◆ Heaviest section is upper section.

Models: AT/UT/USS 314-5K78 to 314-5O78

Three-Cell Cooling Towers



Model No.	Nominal Tonnage	WEIGHTS (LBS)			Fan Motor (HP)	Air Flow (CFM)	DIMENSIONS		
		Shipping	Operating	Heaviest Section†			H†	T†	P
AT 314-5K78	2,936	73,620	124,110	17,660	(6)20	586,300	22' 3-1/2"	12' 1/8"	16' 3-3/4"
AT 314-5L78	3,157	73,800	124,290	17,720	(6)25	628,800	22' 3-1/2"	12' 1/8"	16' 3-3/4"
AT 314-5M78	3,344	74,100	124,590	17,820	(6)30	665,700	22' 3-1/2"	12' 1/8"	16' 3-3/4"
AT 314-5N78	3,655	75,060	125,550	18,140	(6)40	728,100	22' 3-1/2"	12' 1/8"	16' 3-3/4"
AT 314-5O78	3,908	75,120	125,610	18,160	(6)50	780,300	22' 3-1/2"	12' 1/8"	16' 3-3/4"
UT Addition		✱	7,200	✱			1' 3-1/2"	1' 3-1/2"	

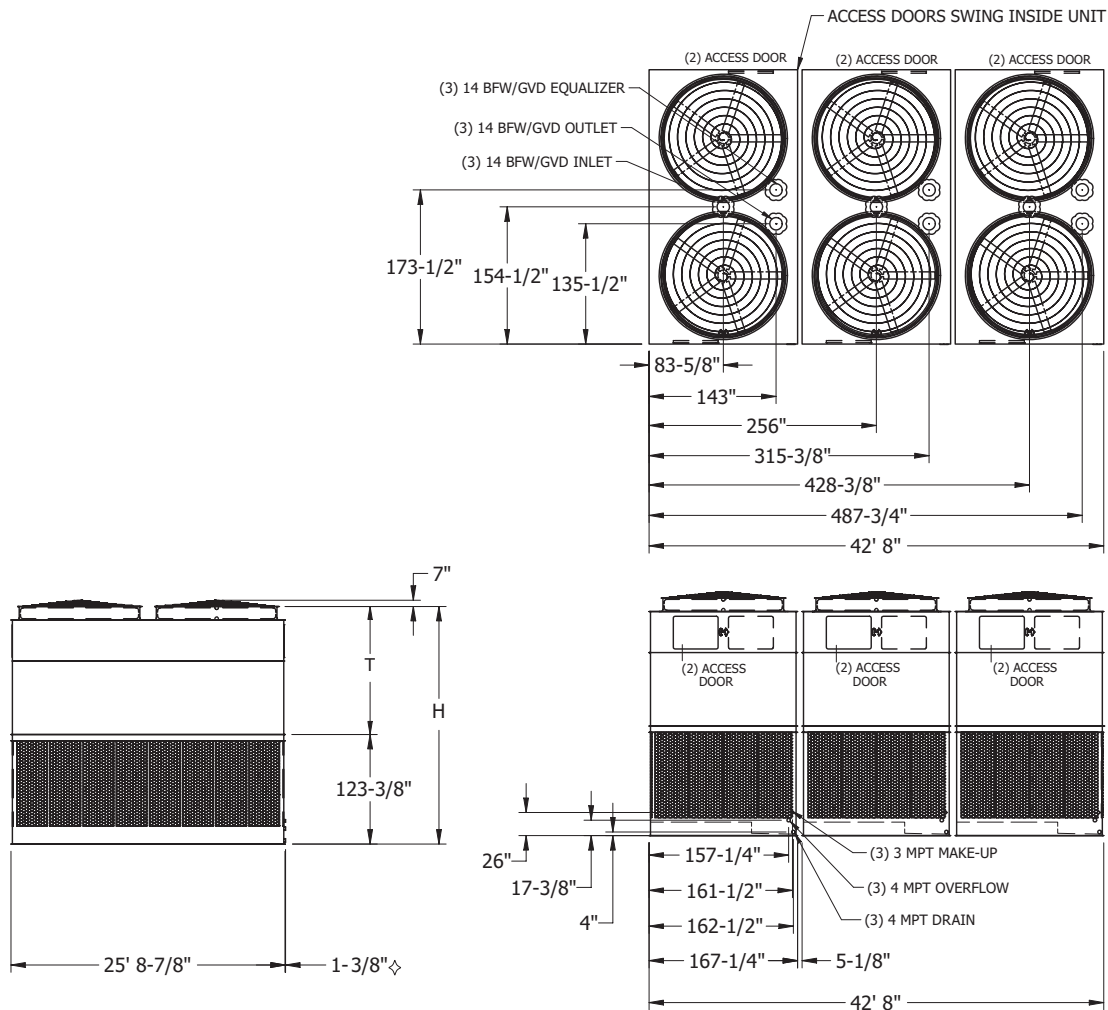
- NOTE: (1) An adequately sized bleed line must be installed in the cooling tower system to prevent build-up of impurities in the recirculated water.
 (2) Do not use catalog drawings for certified prints. Dimensions and weights are subject to change.
 (3) Adequate spacing must be allowed for access to the cooling tower. Refer to EVAPCO's Equipment Layout Manual.
 (4) Nominal Tonnage is based on 3 gpm per ton at 95 degree entering water temperature, 85 degree leaving water temperature, and 78 degree wet-bulb temperature.

◇ Outlet connection extends beyond bottom flange.
 † Height includes fan guard which ships factory mounted.

‡ Heaviest section is upper section.
 ✱ Please consult the factory for additional information regarding shipping and section weight changes.

Models: AT/UT/USS 342-5K26 to 342-5O26

Three-Cell Cooling Towers



Model No.	Nominal Tonnage	WEIGHTS (LBS)			Fan Motor (HP)	Air Flow (CFM)	DIMENSIONS	
		Shipping	Operating	Heaviest Section†			H†	T†
AT 342-5K26	2,882	73,410	123,900	17,660	(6)20	588,700	22' 3-1/2"	12' 1/8"
AT 342-5L26	3,100	73,590	124,080	17,720	(6)25	631,500	22' 3-1/2"	12' 1/8"
AT 342-5M26	3,286	73,890	124,380	17,820	(6)30	668,600	22' 3-1/2"	12' 1/8"
AT 342-5N26	3,593	74,850	125,340	18,140	(6)40	731,300	22' 3-1/2"	12' 1/8"
AT 342-5O26	3,844	74,910	125,400	18,160	(6)50	783,700	22' 3-1/2"	12' 1/8"
UT Addition		✱	7,200	✱			1' 3-1/2"	1' 3-1/2"

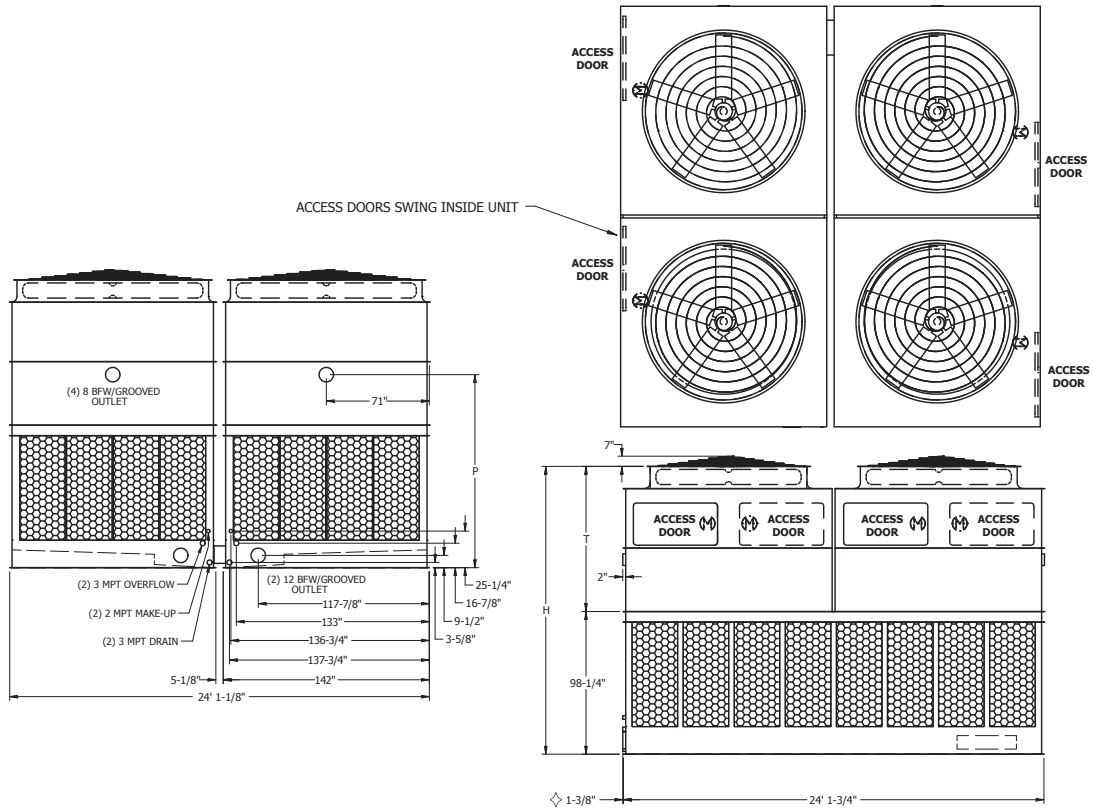
- NOTE: (1) An adequately sized bleed line must be installed in the cooling tower system to prevent build-up of impurities in the recirculated water.
 (2) Do not use catalog drawings for certified prints. Dimensions and weights are subject to change.
 (3) Adequate spacing must be allowed for access to the cooling tower. Refer to EVAPCO's Equipment Layout Manual.
 (4) Nominal Tonnage is based on 3 gpm per ton at 95 degree entering water temperature, 85 degree leaving water temperature, and 78 degree wet-bulb temperature.

◇ Outlet connection extends beyond bottom flange.
 † Height includes fan guard which ships factory mounted.

‡ Heaviest section is upper section.
 ✱ Please consult the factory for additional information regarding shipping and section weight changes.

Models: AT/UT/USS 424-2I24 to 424-4N24

Four-Cell Cooling Towers



Model No.	Nominal Tonnage	WEIGHTS (LBS)			Fan Motor (HP)	Air Flow (CFM)	DIMENSIONS		
		Shipping	Operating	Heaviest Section [‡]			H [†]	T [†]	P
AT 424-2I24	1,114	29,480	54,340	5,020	(4)10	283,500	16' 6-1/4"	8' 4"	11' 2"
AT 424-2J24	1,327	30,040	54,900	5,020	(4)15	322,300	16' 6-1/4"	8' 4"	11' 2"
AT 424-2K24	1,449	30,240	55,100	5,050	(4)20	353,400	16' 6-1/4"	8' 4"	11' 2"
AT 424-2L24	1,555	30,440	55,300	5,100	(4)25	379,400	16' 6-1/4"	8' 4"	11' 2"
AT 424-2M24	1,647	30,840	55,700	5,200	(4)30	401,900	16' 6-1/4"	8' 4"	11' 2"
AT 424-3I24	1,257	31,640	56,500	5,400	(4)10	279,200	17' 6-1/4"	9' 4"	12' 2"
AT 424-3J24	1,471	32,200	57,060	5,540	(4)15	317,000	17' 6-1/4"	9' 4"	12' 2"
AT 424-3K24	1,605	32,400	57,260	5,590	(4)20	347,000	17' 6-1/4"	9' 4"	12' 2"
AT 424-3L24	1,727	32,600	57,460	5,640	(4)25	372,200	17' 6-1/4"	9' 4"	12' 2"
AT 424-3M24	1,835	33,000	57,860	5,740	(4)30	394,100	17' 6-1/4"	9' 4"	12' 2"
AT 424-4I24	1,340	33,600	58,460	5,890	(4)10	274,500	18' 6-1/4"	10' 4"	13' 2"
AT 424-4J24	1,524	34,160	59,020	6,030	(4)15	312,000	18' 6-1/4"	10' 4"	13' 2"
AT 424-4K24	1,678	34,360	59,220	6,080	(4)20	341,600	18' 6-1/4"	10' 4"	13' 2"
AT 424-4L24	1,807	34,560	59,420	6,130	(4)25	366,200	18' 6-1/4"	10' 4"	13' 2"
AT 424-4M24	1,916	34,960	59,820	6,230	(4)30	387,500	18' 6-1/4"	10' 4"	13' 2"
AT 424-4N24	2,050	35,960	60,820	6,480	(4)40	424,300	18' 6-1/4"	10' 4"	13' 2"
UT Addition		✱	4,800	✱			1' 9-1/2"	1' 9-1/2"	

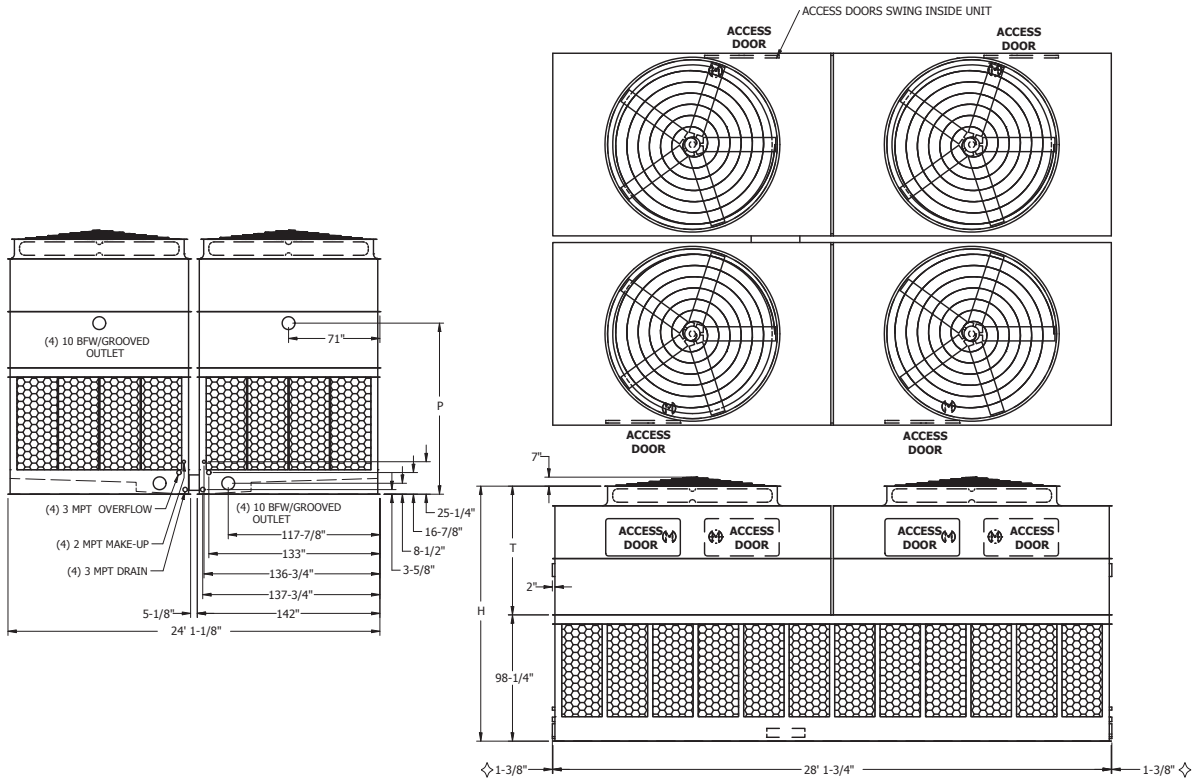
- NOTE: (1) An adequately sized bleed line must be installed in the cooling tower system to prevent build-up of impurities in the recirculated water.
 (2) Do not use catalog drawings for certified prints. Dimensions and weights are subject to change.
 (3) Adequate spacing must be allowed for access to the cooling tower. Refer to EVAPCO's Equipment Layout Manual.
 (4) Nominal Tonnage is based on 3 gpm per ton at 95 degree entering water temperature, 85 degree leaving water temperature, and 78 degree wet-bulb temperature.

◇ Outlet connection extends beyond bottom flange.
 † Height includes fan guard which ships factory mounted.

‡ L=Lower Section, U=Upper Section
 ✱ Please consult the factory for additional information regarding shipping and section weight changes.

Models: AT/UT/USS 424-2I28 to 424-4N28

Four-Cell Cooling Towers



Model No.	Nominal Tonnage	WEIGHTS (LBS)			Fan Motor (HP)	Air Flow (CFM)	DIMENSIONS		
		Shipping	Operating	Heaviest Section†			H†	T†	P
AT 424-2I28	1,159	32,680	62,140	5,760	(4)10	299,400	16' 6-1/4"	8' 4"	11' 1"
AT 424-2J28	1,405	33,240	62,700	5,760	(4)15	340,300	16' 6-1/4"	8' 4"	11' 1"
AT 424-2K28	1,564	33,480	62,940	5,760	(4)20	372,900	16' 6-1/4"	8' 4"	11' 1"
AT 424-2L28	1,689	33,720	63,180	5,760	(4)25	400,300	16' 6-1/4"	8' 4"	11' 1"
AT 424-2M28	1,838	34,000	63,460	5,760	(4)30	423,700	16' 6-1/4"	8' 4"	11' 1"
AT 424-3I28	1,322	35,320	64,780	5,950	(4)10	294,900	17' 6-1/4"	9' 4"	12' 1"
AT 424-3J28	1,563	35,880	65,340	6,090	(4)15	335,100	17' 6-1/4"	9' 4"	12' 1"
AT 424-3K28	1,745	36,120	65,580	6,150	(4)20	366,600	17' 6-1/4"	9' 4"	12' 1"
AT 424-3L28	1,873	36,360	65,820	6,210	(4)25	393,200	17' 6-1/4"	9' 4"	12' 1"
AT 424-3M28	1,993	36,640	66,100	6,280	(4)30	416,200	17' 6-1/4"	9' 4"	12' 1"
AT 424-3N28	2,199	37,680	67,140	6,540	(4)40	455,600	17' 6-1/4"	9' 4"	12' 1"
AT 424-4I28	1,434	37,400	66,860	6,470	(4)10	289,800	18' 6-1/4"	10' 4"	13' 1"
AT 424-4J28	1,654	37,960	67,420	6,610	(4)15	329,600	18' 6-1/4"	10' 4"	13' 1"
AT 424-4K28	1,833	38,200	67,660	6,670	(4)20	360,700	18' 6-1/4"	10' 4"	13' 1"
AT 424-4L28	1,965	38,440	67,900	6,730	(4)25	386,900	18' 6-1/4"	10' 4"	13' 1"
AT 424-4M28	2,088	38,720	68,180	6,800	(4)30	409,600	18' 6-1/4"	10' 4"	13' 1"
AT 424-4N28	2,283	39,760	69,220	7,060	(4)40	447,900	18' 6-1/4"	10' 4"	13' 1"
UT Addition		♣	4,800	♣			1' 9-1/2"	1' 9-1/2"	

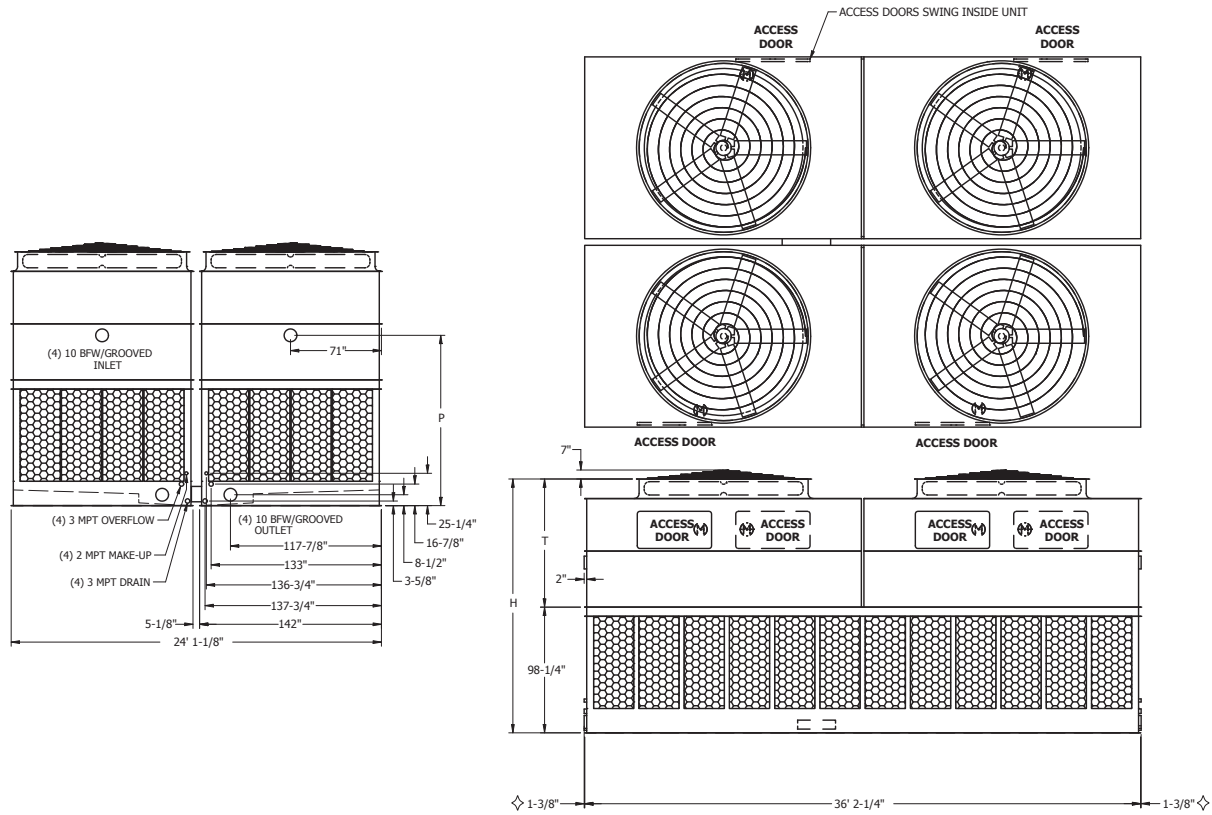
- NOTE: (1) An adequately sized bleed line must be installed in the cooling tower system to prevent build-up of impurities in the recirculated water.
 (2) Do not use catalog drawings for certified prints. Dimensions and weights are subject to change.
 (3) Adequate spacing must be allowed for access to the cooling tower. Refer to EVAPCO's Equipment Layout Manual.
 (4) Nominal Tonnage is based on 3 gpm per ton at 95 degree entering water temperature, 85 degree leaving water temperature, and 78 degree wet-bulb temperature.

◇ Outlet connection extends beyond bottom flange.
 † Height includes fan guard which ships factory mounted.

♣ L=Lower Section, U=Upper Section
 ♣ Please consult the factory for additional information regarding shipping and section weight changes.

Models: AT/UT/USS 424-2J36 to 424-4P36

Four-Cell Cooling Towers



Model No.	Nominal Tonnage	WEIGHTS (LBS)			Fan Motor (HP)	Air Flow (CFM)	DIMENSIONS		
		Shipping	Operating	Heaviest Section [†]			H [†]	T [†]	P
AT 424-2J36	1,687	41,760	79,040	7,480	(4)15	423,100	16' 6-1/4"	8' 4"	11' 1"
AT 424-2K36	1,914	42,000	79,280	7,480	(4)20	463,300	16' 6-1/4"	8' 4"	11' 1"
AT 424-2L36	2,023	42,200	79,480	7,480	(4)25	498,000	16' 6-1/4"	8' 4"	11' 1"
AT 424-2M36	2,133	42,640	79,920	7,480	(4)30	527,900	16' 6-1/4"	8' 4"	11' 1"
AT 424-2N36	2,350	43,680	80,960	7,480	(4)40	578,400	16' 6-1/4"	8' 4"	11' 1"
AT 424-3J36	1,883	44,880	82,160	7,480	(4)15	416,900	17' 6-1/4"	9' 4"	12' 1"
AT 424-3K36	2,108	45,120	82,400	7,540	(4)20	456,200	17' 6-1/4"	9' 4"	12' 1"
AT 424-3L36	2,246	45,320	82,600	7,590	(4)25	489,600	17' 6-1/4"	9' 4"	12' 1"
AT 424-3M36	2,373	45,760	83,040	7,700	(4)30	518,600	17' 6-1/4"	9' 4"	12' 1"
AT 424-3N36	2,614	46,800	84,080	7,960	(4)40	567,400	17' 6-1/4"	9' 4"	12' 1"
AT 424-3O36	2,806	47,040	84,320	8,020	(4)50	608,800	17' 6-1/4"	9' 4"	12' 1"
AT 424-4J36	2,005	47,840	85,120	8,220	(4)15	409,800	18' 6-1/4"	10' 4"	13' 1"
AT 424-4K36	2,221	48,080	85,360	8,280	(4)20	448,800	18' 6-1/4"	10' 4"	13' 1"
AT 424-4L36	2,353	48,280	85,560	8,330	(4)25	481,900	18' 6-1/4"	10' 4"	13' 1"
AT 424-4M36	2,491	48,720	86,000	8,440	(4)30	510,300	18' 6-1/4"	10' 4"	13' 1"
AT 424-4N36	2,736	49,760	87,040	8,700	(4)40	558,300	18' 6-1/4"	10' 4"	13' 1"
AT 424-4O36	2,938	50,000	87,280	8,760	(4)50	598,300	18' 6-1/4"	10' 4"	13' 1"
AT 424-4P36	3,049	50,440	87,720	8,870	(4)60	633,900	18' 6-1/4"	10' 4"	13' 1"
UT Addition		✱	4,800	✱			1' 3-1/2"	1' 3-1/2"	

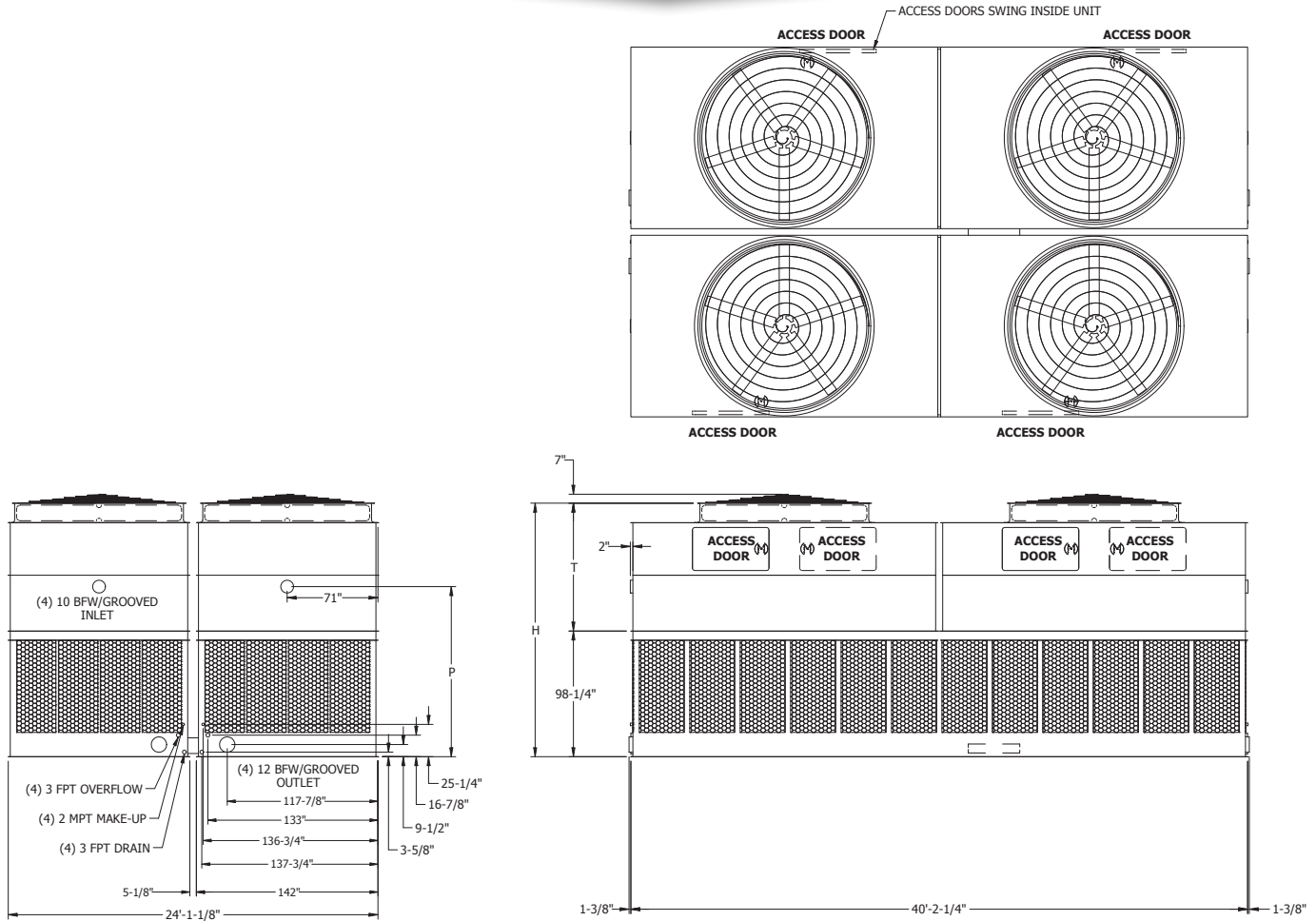
NOTE: (1) An adequately sized bleed line must be installed in the cooling tower system to prevent build-up of impurities in the recirculated water.
 (2) Do not use catalog drawings for certified prints. Dimensions and weights are subject to change.
 (3) Adequate spacing must be allowed for access to the cooling tower. Refer to EVAPCO's Equipment Layout Manual.
 (4) Nominal Tonnage is based on 3 gpm per ton at 95 degree entering water temperature, 85 degree leaving water temperature, and 78 degree wet-bulb temperature.

◇ Outlet connection extends beyond bottom flange.
 † Height includes fan guard which ships factory mounted.

‡ L=Lower Section, U=Upper Section
 ✱ Please consult the factory for additional information regarding shipping and section weight changes.

Models: AT/UT/USS 424-2K40 to 424-4P40

Four-Cell Cooling Towers



Model No.	Nominal Tonnage	WEIGHTS (LBS)			Fan Motor (HP)	Air Flow (CFM)	DIMENSIONS		
		Shipping	Operating	Heaviest Section [†]			H [†]	T [†]	P
AT 424-2K40	1,733	44,640	86,420	7,900	(4)20	472,200	16' 6-1/4"	8' 4"	11' 1"
AT 424-2L40	1,919	44,840	86,620	7,900	(4)25	506,800	16' 6-1/4"	8' 4"	11' 1"
AT 424-2M40	2,064	45,280	87,060	7,900	(4)30	537,000	16' 6-1/4"	8' 4"	11' 1"
AT 424-2N40	2,379	46,320	88,100	7,900	(4)40	587,500	16' 6-1/4"	8' 4"	11' 1"
AT 424-2O40	2,584	46,560	88,340	7,900	(4)50	630,400	16' 6-1/4"	8' 4"	11' 1"
AT 424-3K40	2,038	47,560	89,340	7,940	(4)20	464,500	17' 6-1/4"	9' 4"	12' 1"
AT 424-3L40	2,230	47,760	89,540	7,990	(4)25	498,300	17' 6-1/4"	9' 4"	12' 1"
AT 424-3M40	2,380	48,200	89,980	8,100	(4)30	527,600	17' 6-1/4"	9' 4"	12' 1"
AT 424-3N40	2,670	49,240	91,020	8,360	(4)40	576,800	17' 6-1/4"	9' 4"	12' 1"
AT 424-3O40	2,900	49,480	91,260	8,420	(4)50	618,200	17' 6-1/4"	9' 4"	12' 1"
AT 424-4K40	2,190	51,160	92,940	8,840	(4)20	456,500	18' 6-1/4"	10' 4"	13' 1"
AT 424-4L40	2,369	51,360	93,140	8,890	(4)25	489,900	18' 6-1/4"	10' 4"	13' 1"
AT 424-4M40	2,515	51,800	93,580	9,000	(4)30	519,000	18' 6-1/4"	10' 4"	13' 1"
AT 424-4N40	2,798	52,840	94,620	9,260	(4)40	567,600	18' 6-1/4"	10' 4"	13' 1"
AT 424-4O40	3,028	53,080	94,860	9,320	(4)50	608,300	18' 6-1/4"	10' 4"	13' 1"
AT 424-4P40	3,141	53,520	95,300	9,430	(4)60	644,800	18' 6-1/4"	10' 4"	13' 1"
UT Addition		❖	4,800	❖			1' 3-1/2"		

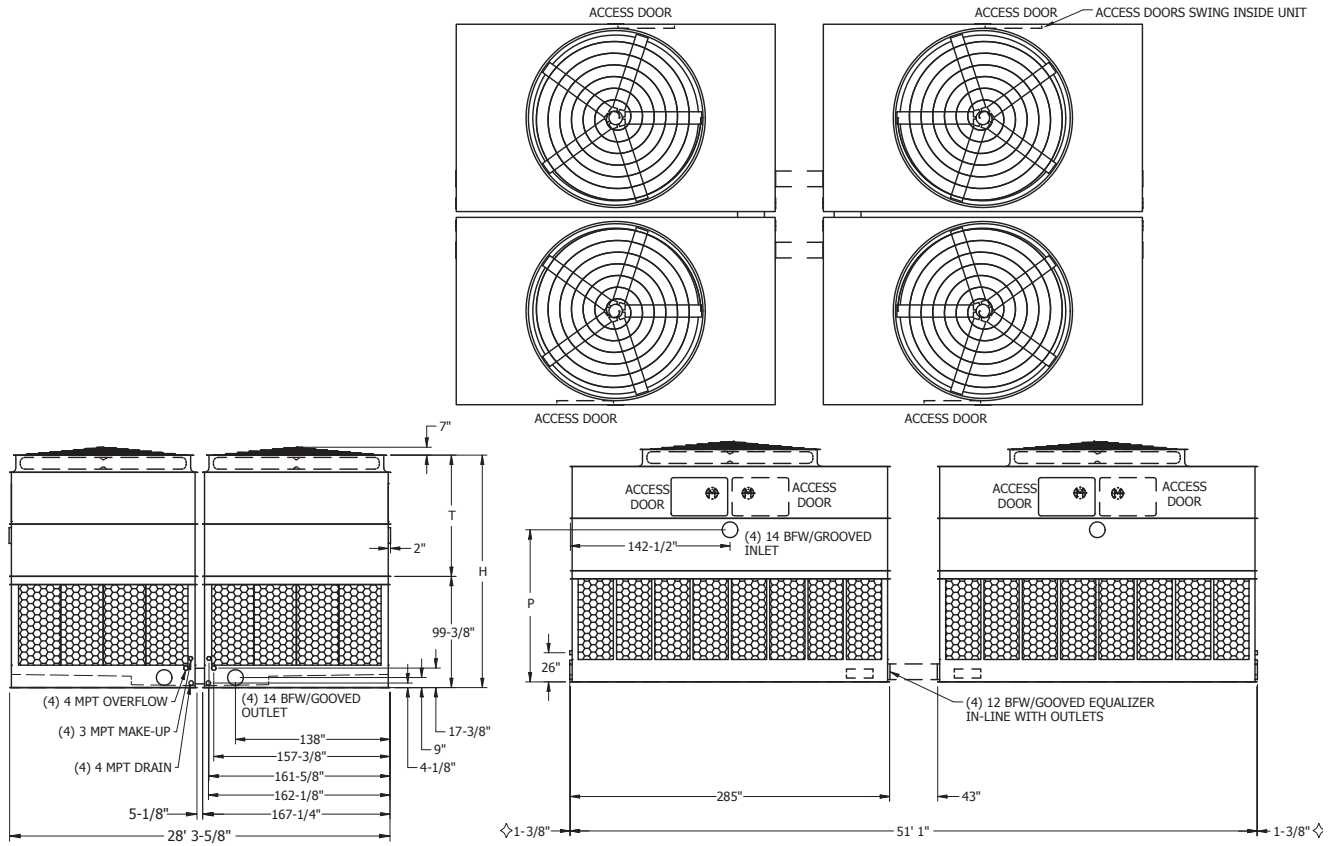
- NOTE: (1) An adequately sized bleed line must be installed in the cooling tower system to prevent build-up of impurities in the recirculated water.
 (2) Do not use catalog drawings for certified prints. Dimensions and weights are subject to change.
 (3) Adequate spacing must be allowed for access to the cooling tower. Refer to EVAPCO's Equipment Layout Manual.
 (4) Nominal Tonnage is based on 3 gpm per ton at 95 degree entering water temperature, 85 degree leaving water temperature, and 78 degree wet-bulb temperature.

❖ Outlet connection extends beyond bottom flange.
 † Height includes fan guard which ships factory mounted.

♣ L=Lower Section, U=Upper Section
 ❖ Please consult the factory for additional information regarding shipping and section weight changes.

Models: AT/UT/USS 428-2K48 to 428-4R48

Four-Cell Cooling Towers



Model No.	Nominal Tonnage	WEIGHTS (LBS)			Fan Motor (HP)	Air Flow (CFM)	DIMENSIONS		
		Shipping	Operating	Heaviest Section†			H†	T†	P
AT 428-2K48	2,231	65,280	128,680	10,600	(4)20	595,300	17' 5-5/8"	9' 2-1/4"	11' 3-7/8"
AT 428-2L48	2,482	65,480	128,880	10,650	(4)25	639,000	17' 5-5/8"	9' 2-1/4"	11' 3-7/8"
AT 428-2M48	2,626	65,560	128,960	10,670	(4)30	677,600	17' 5-5/8"	9' 2-1/4"	11' 3-7/8"
AT 428-2N48	2,846	66,160	129,560	10,820	(4)40	743,500	17' 5-5/8"	9' 2-1/4"	11' 3-7/8"
AT 428-2O48	3,067	67,560	130,960	11,170	(4)50	798,500	17' 5-5/8"	9' 2-1/4"	11' 3-7/8"
AT 428-3K48	2,585	69,440	132,840	11,640	(4)20	586,200	18' 5-5/8"	10' 2-1/4"	12' 3-7/8"
AT 428-3L48	2,837	69,640	133,040	11,690	(4)25	629,300	18' 5-5/8"	10' 2-1/4"	12' 3-7/8"
AT 428-3M48	2,984	69,720	133,120	11,710	(4)30	667,200	18' 5-5/8"	10' 2-1/4"	12' 3-7/8"
AT 428-3N48	3,283	70,320	133,720	11,860	(4)40	730,800	18' 5-5/8"	10' 2-1/4"	12' 3-7/8"
AT 428-3O48	3,509	71,720	135,120	12,210	(4)50	784,200	18' 5-5/8"	10' 2-1/4"	12' 3-7/8"
AT 428-3P48	3,728	72,400	135,800	12,380	(4)60	830,200	18' 5-5/8"	10' 2-1/4"	12' 3-7/8"
AT 428-4K48	2,858	73,600	137,000	12,680	(4)20	575,800	19' 5-5/8"	11' 2-1/4"	13' 3-7/8"
AT 428-4L48	3,093	73,800	137,200	12,730	(4)25	618,100	19' 5-5/8"	11' 2-1/4"	13' 3-7/8"
AT 428-4M48	3,237	73,880	137,280	12,750	(4)30	655,300	19' 5-5/8"	11' 2-1/4"	13' 3-7/8"
AT 428-4N48	3,524	74,480	137,880	12,900	(4)40	718,100	19' 5-5/8"	11' 2-1/4"	13' 3-7/8"
AT 428-4O48	3,714	75,880	139,280	13,250	(4)50	771,300	19' 5-5/8"	11' 2-1/4"	13' 3-7/8"
AT 428-4P48	3,933	76,560	139,960	13,420	(4)60	816,800	19' 5-5/8"	11' 2-1/4"	13' 3-7/8"
AT 428-4Q48	4,229	77,520	140,920	13,660	(4)75	875,700	19' 5-5/8"	11' 2-1/4"	13' 3-7/8"
AT 428-4R48*	4,475	79,280	142,680	14,100	(4)100	960,000	19' 5-5/8"	11' 2-1/4"	13' 3-7/8"
UT Addition			5,000	1,250			1' 1-1/2"	1' 1-1/2"	

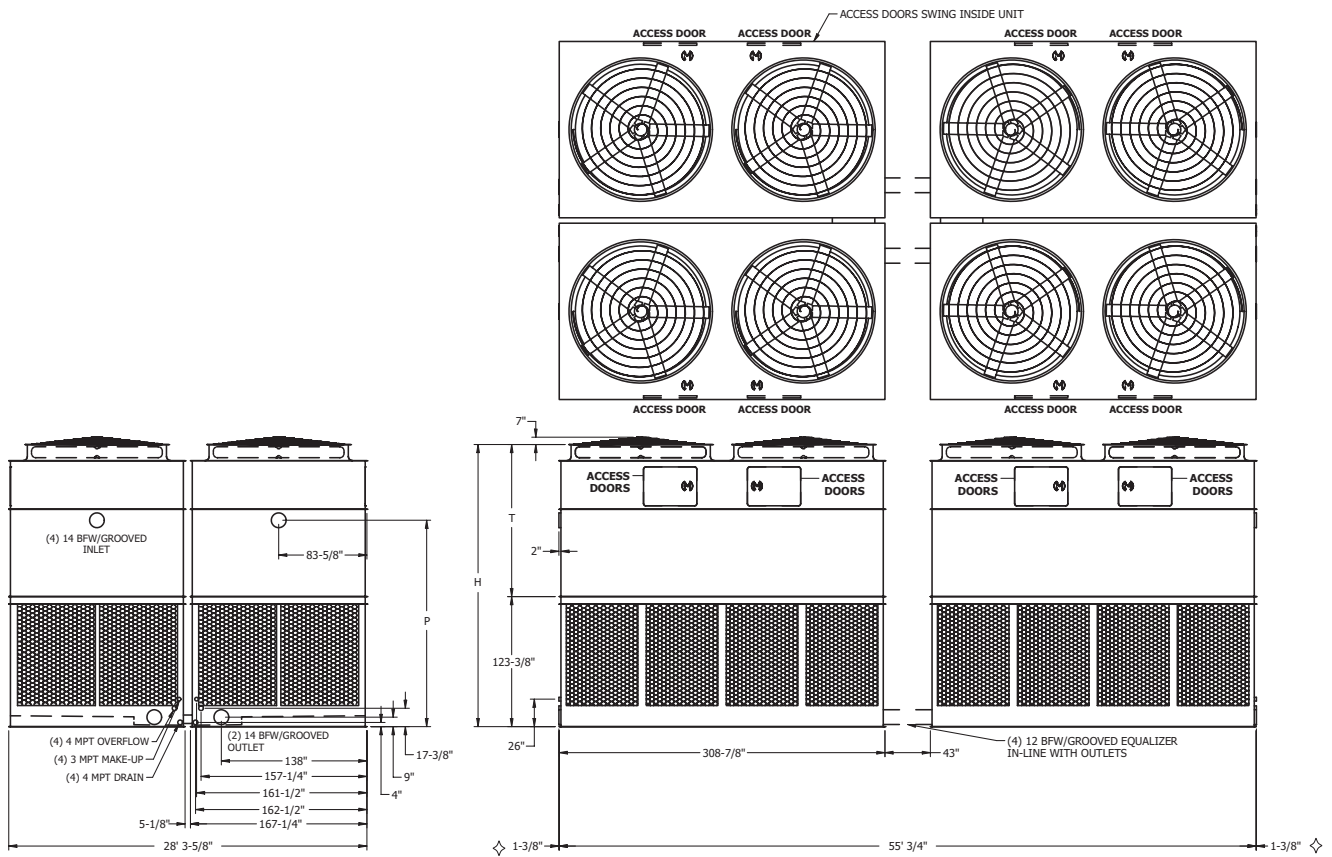
- NOTE: (1) An adequately sized bleed line must be installed in the cooling tower system to prevent build-up of impurities in the recirculated water.
 (2) Do not use catalog drawings for certified prints. Dimensions and weights are subject to change.
 (3) Adequate spacing must be allowed for access to the cooling tower. Refer to EVAPCO's Equipment Layout Manual.
 (4) Nominal Tonnage is based on 3 gpm per ton at 95 degree entering water temperature, 85 degree leaving water temperature, and 78 degree wet-bulb temperature.

◇ Outlet connection extends beyond bottom flange.
 † Height includes fan guard which ships factory mounted.

‡ Heaviest section is upper section.
 ✦ Please consult the factory for additional information regarding shipping and section weight changes.

Models: AT/UT/USS 428-5K52 to 428-5O52

Four-Cell Cooling Towers



Model No.	Nominal Tonnage	WEIGHTS (LBS)			Fan Motor (HP)	Air Flow (CFM)	DIMENSIONS		
		Shipping	Operating	Heaviest Section [†]			H [†]	T [†]	P
AT 428-5K52	3,857	97,960	165,280	17,660	(8)20	746,200	22' 3-1/2"	12' 1/8"	16' 3-3/4"
AT 428-5L52	4,148	98,200	165,520	17,720	(8)25	800,400	22' 3-1/2"	12' 1/8"	16' 3-3/4"
AT 428-5M52	4,395	98,600	165,920	17,820	(8)30	847,500	22' 3-1/2"	12' 1/8"	16' 3-3/4"
AT 428-5N52	4,806	99,880	167,200	18,140	(8)40	927,000	22' 3-1/2"	12' 1/8"	16' 3-3/4"
AT 428-5O52	5,141	99,960	167,280	18,160	(8)50	993,400	22' 3-1/2"	12' 1/8"	16' 3-3/4"
UT Addition		♣	9,600	♣			1' 3-1/2"	1' 3-1/2"	

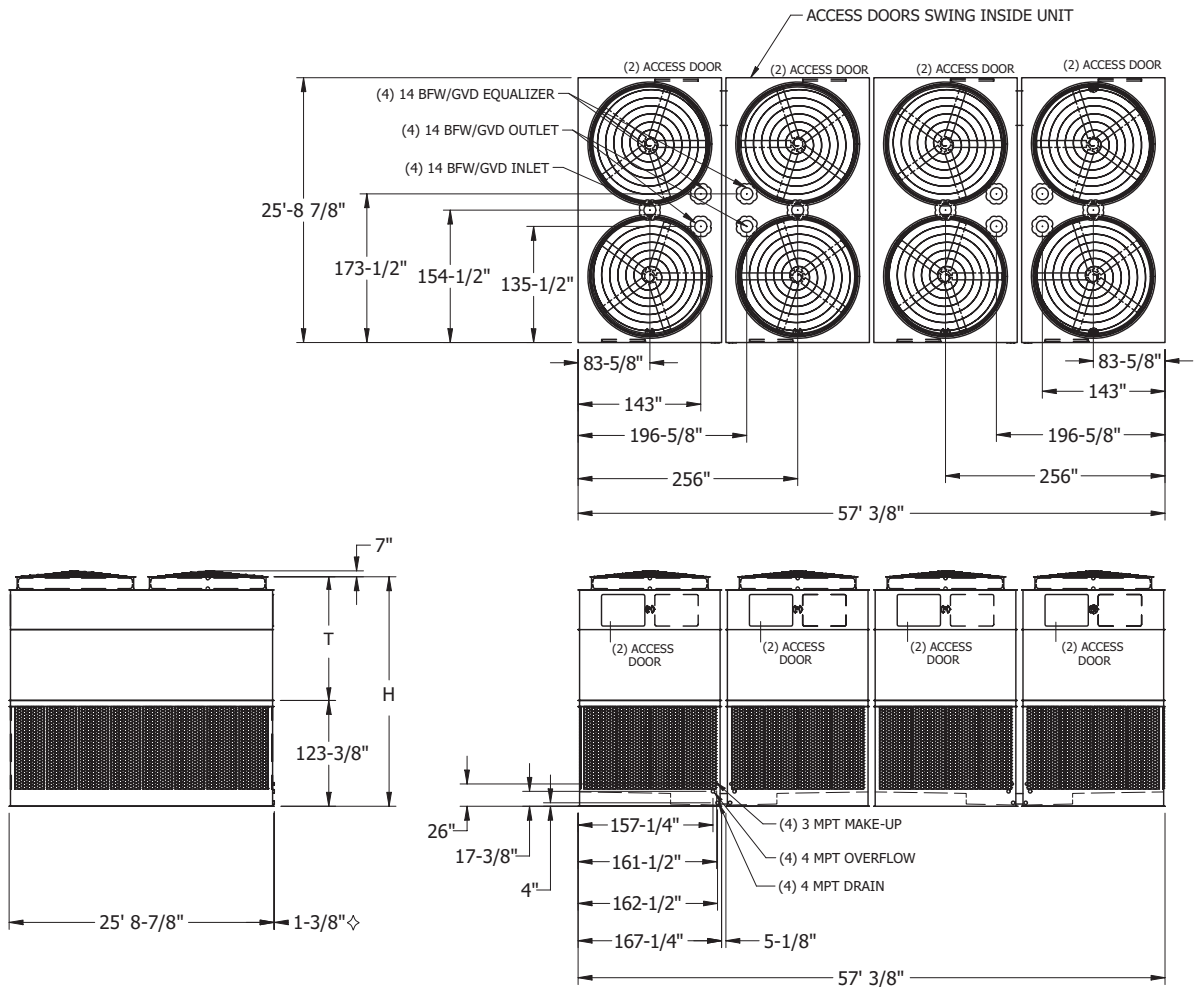
- NOTE: (1) An adequately sized bleed line must be installed in the cooling tower system to prevent build-up of impurities in the recirculated water.
 (2) Do not use catalog drawings for certified prints. Dimensions and weights are subject to change.
 (3) Adequate spacing must be allowed for access to the cooling tower. Refer to EVAPCO's Equipment Layout Manual.
 (4) Nominal Tonnage is based on 3 gpm per ton at 95 degree entering water temperature, 85 degree leaving water temperature, and 78 degree wet-bulb temperature.

◇ Outlet connection extends beyond bottom flange.
 † Height includes fan guard which ships factory mounted.

♣ Heaviest section is upper section.
 ♣ Please consult the factory for additional information regarding shipping and section weight changes.

Models: AT/UT/USS 456-5K26 to 456-5O26

Four-Cell Cooling Towers



Model No.	Nominal Tonnage	WEIGHTS (LBS)			Fan/Motor (HP)	Air Flow (CFM)	DIMENSIONS	
		Shipping	Operating	Heaviest Section [†]			H [†]	T [†]
AT 456-5K26	3,802	97,880	165,200	17,660	(8)20	746,800	22' 3-1/2"	12' 1/8"
AT 456-5L26	4,090	98,120	165,440	17,720	(8)25	801,100	22' 3-1/2"	12' 1/8"
AT 456-5M26	4,335	98,520	165,840	17,820	(8)30	848,200	22' 3-1/2"	12' 1/8"
AT 456-5N26	4,743	99,800	167,120	18,140	(8)40	927,900	22' 3-1/2"	12' 1/8"
AT 456-5O26	5,075	99,880	167,200	18,160	(8)50	994,400	22' 3-1/2"	12' 1/8"
UT Addition		❖	9,600	❖			1' 3-1/2"	

- NOTE: (1) An adequately sized bleed line must be installed in the cooling tower system to prevent build-up of impurities in the recirculated water.
 (2) Do not use catalog drawings for certified prints. Dimensions and weights are subject to change.
 (3) Adequate spacing must be allowed for access to the cooling tower. Refer to EVAPCO's Equipment Layout Manual.
 (4) Nominal Tonnage is based on 3 gpm per ton at 95 degree entering water temperature, 85 degree leaving water temperature, and 78 degree wet-bulb temperature.

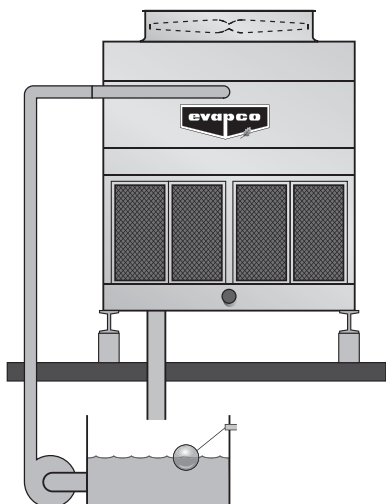
◇ Outlet connection extends beyond bottom flange.
 † Height includes fan guard which ships factory mounted.

‡ Heaviest section is upper section.
 ❖ Please consult the factory for additional information regarding shipping and section weight changes.

Drain Down Volume for Remote Sump Applications

The following chart provides the maximum drain down volume allowable per AT/UT/USS model number. Use this chart when sizing indoor or outdoor remote sumps tanks. Remote sump applications are commonly used whenever a cooling tower is idle during sub-freezing weather to protect the water in the basin from freezing or for large multi-tower industrial applications. Either application allows the circulating water to gravity drain into a remote sump tank indoors or a large, outdoor concrete basin located underneath the cooling tower.

The water volume provided is the cooling tower portion of the remote sump tank only. The tank should allow for drain down water from external piping and pump suction coverage.



1-CELL

Box Size	Maximum Drain Down Volume (gal.)
4 x 4	85
4 x 6	130
4 x 9	195
4 x 12	275
8.5 x 6	270
8.5 x 8	320
8.5 x 9	395
8.5 x 11	460
8.5 x 12	525
8.5 x 14	610
10 x 12	645
10 x 18	980
12 x 12	720
12 x 14	855
12 x 18	1090
12 x 20	1210
14 x 24	1855
14 x 26	2085

2-CELL

Box Size	Maximum Drain Down Volume (gal.)
6 x 17	540
8 x 17	640
12 x 9	540
15 x 9	640
17 x 9	790
17 x 11	920
17 x 12	1050
17 x 14	1220
8.5 x 18	790
8.5 x 21	920
8.5 x 24	1050
8.5 x 28	1220
10 x 24	1290
10 x 36	1960
12 x 24	1440
12 x 28	1710
12 x 36	2180
12 x 40	2420
14 x 48	3710
14 x 52	4170
20 x 12	1290
20 x 18	1960
24 x 18	2180
24 x 20	2420
28 x 24	3710
28 x 26	4170
8.5 x 36	1575
8.5 x 42	1830
10 x 36	1935
12 x 36	2160
12 x 42	2565
12 x 54	3270
12 x 60	3630
14 x 72	5565
14 x 78	6255
42 x 26	6255
24 x 24	2880
24 x 28	3420
24 x 36	4360
24 x 40	4840
28 x 48	7420
28 x 52	8340
56 x 26	8340

3-CELL

4-CELL

Applications

Design

EVAPCO Cooling towers are of heavy-duty construction and designed for long trouble-free operation. Proper equipment selection, installation and maintenance are necessary to ensure full unit performance while maximizing the equipment's service life. Some of the major considerations in the application of a tower are presented below. For additional information, please contact the factory.

Piping

Cooling tower piping should be designed and installed in accordance with generally accepted engineering practices. All piping should be anchored by properly designed hangers and supports with allowance made for possible expansion and contraction. No external loads should be placed upon cooling tower connections, nor should any of the piping supports be anchored to the unit framework.

The piping connection locations shown on the drawings included in this catalog and on the website are standard locations that can be changed. If the piping connection locations shown do not meet the needs of a particular project, contact the factory to determine a viable solution.

Air Circulation

In reviewing the system design and unit location, it is important that enough fresh air is provided to enable proper unit performance. The best location is on an unobstructed roof top or at ground level away from walls and other barriers. Care must be taken when locating towers in wells or enclosures or next to high walls. The potential for recirculation of the hot, moist discharge air back into the fan intake exists. Recirculation raises the wetbulb temperature of the entering air, causing the leaving water temperature to rise above the design conditions. For these cases, the overall unit height should be raised so it is even with the adjacent wall, reducing the chance of recirculation. This can be done by raising the entire unit or adding a discharge hood. For additional information, see the EVAPCO Equipment Layout Manual. Engineering Assistance is also available from the factory to identify potential recirculation problems and recommend solutions, such as re-orienting multi-cell units.

Design Flexibility and Assistance

The large number of EVAPCO AT Cooling towers makes it easy to find a model to meet your design and layout needs. If there is an application for which the standard catalog product line does not work, EVAPCO will make a cooling tower that will fit your requirement. Consult your local EVAPCO Representative or the factory for assistance with Applications, Layout, Accessories or other design needs.

Water Treatment

Proper water treatment is an essential part of the maintenance required for all evaporative cooling equipment. A well designed and consistently implemented water treatment program will help to ensure efficient system operation while maximizing the equipment's service life. A qualified water treatment company should design a site specific water treatment protocol based on equipment (including all metallurgies in the cooling system), location, makeup water quality and usage.

Without proper water treatment, the equipment can be susceptible to scale build-up on its heat exchange surfaces, biological growth in the recirculating water and corrosion of its components. Your site specific water treatment protocol should include procedures for routine operation, startup after a shut-down period, and system lay-up, if applicable.

Passivation Period

If the equipment includes any galvanized components, the initial commissioning and passivation period is a critical time for maximizing the service life of galvanized equipment. Evapco recommends that a site specific water treatment protocol which includes a passivation procedure that details the desired water chemistry and visual inspections during the first six to twelve weeks of operation be used. During this passivation period, recirculating water pH should be maintained above 7.0 and below 8.0 at all times.

Recirculating Water System

The cooling in a tower is accomplished by the evaporation of a portion of the recirculated spray water. As this water evaporates, it leaves behind mineral content and impurities. Therefore, it is important to bleed-off an amount of water proportional to that which is evaporated to prevent the buildup of impurities. If this is not done, the mineral content and/or the corrosive nature of the water will continue to increase. This can ultimately result in heavy scaling or a corrosive condition.

Bleed-off

Evaporative cooling equipment requires a bleed or blow-down line to remove concentrated water from the system. The mineral concentration is monitored by measuring the conductivity of the water. Evapco recommends an automated conductivity controller to maximize the water efficiency of your system. Based on recommendations from your water treatment supplier, the conductivity controller should open and close a bleed valve to maintain the conductivity of the recirculating water.

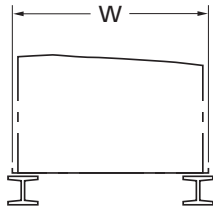
Control of Biological Contaminants

Evaporative cooling equipment should be inspected regularly to ensure good microbiological control. Inspections should include both monitoring of microbial populations via culturing techniques and visual inspections for evidence of biofouling. Poor microbiological control can result in loss of heat transfer efficiency, increase corrosion potential, and increase the risk of pathogens such as those that can cause risk to health. If excessive microbiological contamination is detected, a more aggressive mechanical cleaning and/or water treatment program should be undertaken.

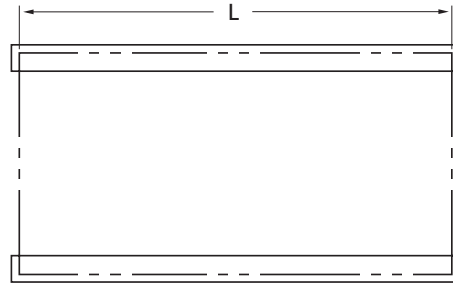
Structural Steel Support

Models AT/UT/USS 14-2E4 to 314-5O78

Suggested Two I-Beam Arrangement



End Elevation



Plan View

Box Sizes 4' x 4' through 8.5' x 18'

Two I-Beams Required (By Others)

	Box Size	Dimensions	
		W	L
1-CELL	4 x 4	4' 0-15/32"	3' 11-5/8"
	4 x 6	4' 0-15/32"	5' 11-5/8"
	4 x 9	4' 0-15/32"	8' 11-11/16"
	4 x 12	4' 0-15/32"	11' 11-5/8"
	8.5 x 6	5' 11-7/8"	8' 5-1/2"
	8.5 x 8	7' 5-7/8"	8' 5-1/2"
	8.5 x 9	8' 5-1/2"	8' 11-1/2"
	8.5 x 11	8' 5-1/2"	10' 5-1/2"
	8.5 x 12	8' 5-1/2"	11' 11-3/4"
	8.5 x 14	8' 5-1/2"	13' 11-3/4"
	10 x 12	9' 9-3/4"	11' 11-3/4"
	10 x 18	9' 9-3/4"	18' 0"
	12 x 12	11' 10"	11' 11-3/4"
	12 x 14	11' 10"	13' 11-3/4"
	12 x 18	11' 10"	18' 0"
	12 x 20	11' 10"	20' 0"
2-CELL	14 x 24	13' 11-1/4"	23' 9"
	14 x 26	13' 11-1/4"	25' 8-7/8"
	6 x 17	5' 11-7/8"	17' 1-1/2"
	8 x 17	7' 5-7/8"	17' 1-1/2"
	8.5 x 18	8' 5-1/2"	18' 0"

Box Sizes 8.5' x 21' through 14' x 78'

Two I-Beams Required (By Others)

	Box Size	Dimensions	
		W	L
2-CELL	8.5 x 21	8' 5-1/2"	21' 0"
	8.5 x 24	8' 5-1/2"	24' 2"
	8.5 x 28	8' 5-1/2"	28' 2"
	10 x 24	9' 9-3/4"	24' 2"
	10 x 36	9' 9-3/4"	36' 2-1/2"
	12 x 24	11' 10"	24' 2"
	12 x 28	11' 10"	28' 2"
	12 x 36	11' 10"	36' 2-1/2"
	12 x 40	11' 10"	40' 2-1/4"
	14 x 48	13' 11-1/4"	47' 8-1/2"
	14 x 52	13' 11-1/4"	51' 8-1/4"
	3-CELL	8.5 x 36	8' 5-1/2"
8.5 x 42		8' 5-1/2"	42' 4-1/4"
10 x 36		9' 9-3/4"	36' 4-1/4"
12 x 36		11' 10"	36' 4-1/4"
12 x 42		11' 10"	42' 4-1/4"
12 x 54		11' 10"	54' 5"
12 x 60		11' 10"	60' 5"
14 x 72		13' 11-1/4"	71' 8"
14 x 78		13' 11-1/4"	77' 7-5/8"

Notes:

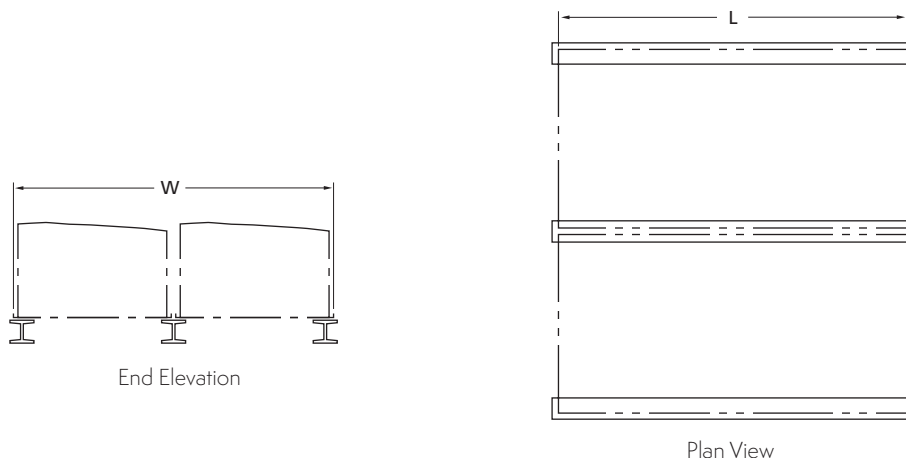
Models Listed Above.

- These are suggested arrangements for preliminary layout purposes. Consult your EVAPCO representative for factory certified steel support drawings.
- The recommended support for the AT/UT/USS Cooling Tower is structural I-beams located under the outer flanges and running the entire length of the unit. The unit should be elevated to allow access underneath the unit and to the roof below. Mounting holes, 3/4" in diameter, are located in the bottom flanges of the pan to provide for bolting to the structural steel.
- Beams should be sized in accordance with accepted structural practices. Maximum deflection of beam under unit to be 1/360 of the unit length, not to exceed 1/2".
- For these models where two support beams are required, deflection may be calculated by using 55% of the operating weight as a uniform load on each beam.
- Beams should be level before setting the unit in place. Do not level the unit by shimming between it and the I-beams.
- Support beams and Anchor bolts are to be furnished by others.
- Dimensions, weights and data are subject to change without notice. Refer to the factory certified drawings for exact dimensions.
- For alternate layout arrangements please consult the factory. **NOTE: OPTIONAL BOTTOM CONNECTIONS WILL REQUIRE THE UNIT TO BE ELEVATED TO ALLOW FOR PIPING.**

Structural Steel Support

Models AT/UT/USS 212-2G9 to 428-5O52

Suggested Three I-Beam Arrangement



Box Sizes 12' x 9' through 28' x 52'

Three I-Beams Required (By Others)

	Box Size	Dimensions	
		W	L
2-CELL	12 x 9	12' 4-7/8"	8' 5-1/2"
	15 x 9	15' 4-7/8"	8' 5-1/2"
	17 x 9	17' 4-1/8"	8' 11-1/2"
	17 x 11	17' 4-1/8"	10' 5-1/2"
	17 x 12	17' 4-1/8"	11' 11-3/4"
	17 x 14	17' 4-1/8"	13' 11-3/4"
	20 x 12	20' 0-5/8"	11' 11-3/4"
	20 x 18	20' 0-5/8"	18' 0"
	24 x 18	24' 1-1/8"	18' 0"
	24 x 20	24' 1-1/8"	20' 0"
	28 x 24	28' 3-5/8"	23' 9"
	28 x 26	28' 3-5/8"	25' 8-7/8"
4-CELL	24 x 24	24' 1-1/8"	24' 1-3/4"
	24 x 28	24' 1-1/8"	28' 1-3/4"
	24 x 36	24' 1-1/8"	36' 2-1/4"
	24 x 40	24' 1-1/8"	40' 2-1/4"
	28 x 48	28' 3-5/8"	51' 1"
	28 x 52	28' 3-5/8"	55' 0-3/4"

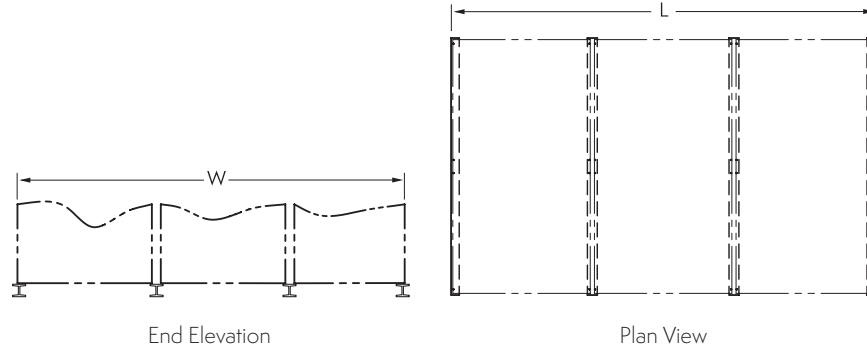
Notes:

Models Listed Above.

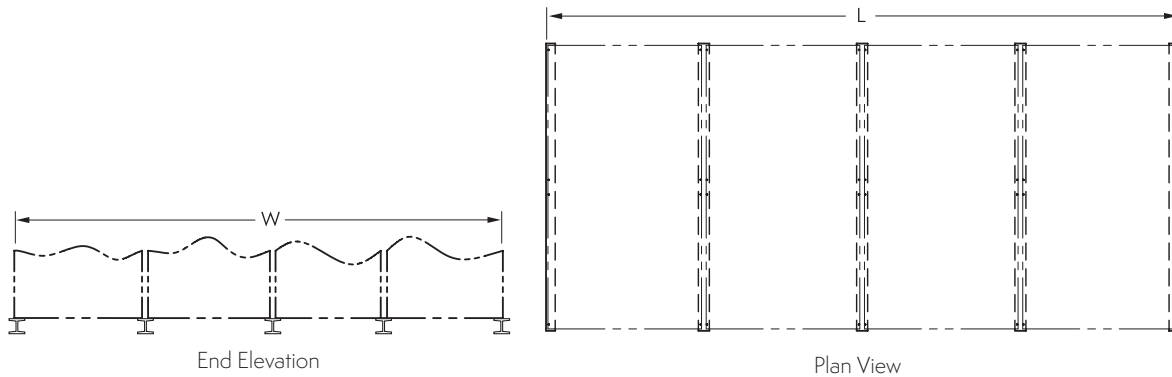
1. These are suggested arrangements for preliminary layout purposes. Consult your EVAPCO representative for factory certified steel support drawings.
2. The recommended support for the AT/UT/USS Cooling Tower is structural I-beams located under the outer flanges and running the entire length of the unit. The unit should be elevated to allow access underneath the unit and to the roof below. Mounting holes, 3/4" in diameter are located in the bottom flanges of the pan to provide for bolting to the structural steel.
3. Beams should be sized in accordance with accepted structural practices. Maximum deflection of beam under unit to be 1/360 of the unit length, not to exceed 1/2".
4. For these models only where three support beams are required, deflection may be calculated using 56% of the operating weight on the CENTER BEAM and 22% on each OUTBOARD beam.
5. Beams should be level before setting the unit in place. Do not level the unit by shimming between it and the I-beams.
6. Support beams and Anchor bolts are to be furnished by others.
7. Dimensions, weights and data are subject to change without notice. Refer to the factory certified drawings for exact dimensions.
8. For alternate layout arrangements please consult the factory. NOTE: OPTIONAL BOTTOM CONNECTIONS WILL REQUIRE THE UNIT TO BE ELEVATED TO ALLOW FOR PIPING.

Structural Steel Support

Models AT/UT/USS 342-5K26 to 342-5O26 Suggested Four I-Beam Arrangement



Models AT/UT/USS 456-5K26 to 456-5O26 Suggested Five I-Beam Arrangement



Box Size 42' x 26' through 56' x 26'

I-Beams Required (By Others)

Dimensions		
Box Size	W	L
42 x 26	42' 8"	25' 8-7/8"
56 x 26	57' 3/8"	25' 8-7/8"

Notes:

Models Listed Above.

1. These are suggested arrangements for preliminary layout purposes. Consult your EVAPCO representative for factory certified steel support drawings.
2. The recommended support for the AT/UT/USS Cooling Tower is structural I-beams located under the outer flanges and running the entire length of the unit. The unit should be elevated to allow access underneath the unit and to the roof below. Mounting holes, 3/4" in diameter are located in the bottom flanges of the pan to provide for bolting to the structural steel.
3. Beams should be sized in accordance with accepted structural practices. Maximum deflection of beam under unit to be 1/360 of the unit length, not to exceed 1/2".
4. For these models only where four or five support beams are required, deflection may be calculated using 56% of the operating weight on the CENTER BEAMS and 22% on each OUTBOARD beam.
5. Beams should be level before setting the unit in place. Do not level the unit by shimming between it and the I-beams.
6. Support beams and Anchor bolts are to be furnished by others.
7. Dimensions, weights and data are subject to change without notice. Refer to the factory certified drawings for exact dimensions.
8. For alternate layout arrangements please consult the factory. *NOTE: OPTIONAL BOTTOM CONNECTIONS WILL REQUIRE THE UNIT TO BE ELEVATED TO ALLOW FOR PIPING.*



OUR PRODUCTS ARE MANUFACTURED WORLDWIDE.



★ World Headquarters/ Research and Development Center
■ EVAPCO Facilities

EVAPCO, Inc. — World Headquarters & Research / Development Center

P.O. Box 1300 • Westminster, MD 21158 USA
410-756-2600 p • 410-756-6450 f • marketing@evapco.com

North America

EVAPCO, Inc.
World Headquarters
P.O. Box 1300
Westminster, MD 21158 USA
410-756-2600 p | 410-756-6450 f
marketing@evapco.com

EVAPCO East
5151 Allendale Lane
Taneytown, MD 21787 USA
410-756-2600 p | 410-756-6450 f
marketing@evapco.com

EVAPCO Midwest
1723 York Road
Greenup, IL 62428 USA
217-923-3431 p | 217-923-3300 f
evapcomw@evapcomw.com

EVAPCO West
1900 West Almond Avenue
Madera, CA 93637 USA
559-673-2207 p | 559-673-2378 f
contact@evapcowest.com

EVAPCO Iowa
925 Quality Drive
Lake View, IA 51450 USA
712-657-3223 p | 712-657-3226 f

EVAPCO Iowa
Sales & Engineering
215 1st Street, NE
P.O. Box 88
Medford, MN 55049 USA
507-446-8005 p | 507-446-8239 f
evapcomn@evapcomn.com

EVAPCO Newton
701 East Jourdan Street
Newton, IL 62448 USA
618-783-3433 | 618-783-3499 f
evapcomw@evapcomw.com

EVAPCOLD
521 Evapco Drive
Greenup, IL USA
217-923-3431 p
evapcomw@evapcomw.com

EVAPCO-BLCT Dry Cooling, Inc.
981 US Highway 22 West
Bridgewater, New Jersey 08807 USA
908-379-2665 p
info@evapco-blct.com

Refrigeration Valves & Systems Corporation
A wholly owned subsidiary of EVAPCO, Inc.
1520 Crosswind Dr.
Bryan, TX 77808 USA
979-778-0095 p | 979-778-0030 f
rvs@rvscorp.com

EVAPCO Northwest
5775 S.W. Jean Road, Suite 210
Lake Oswego, Oregon 97035 USA
503-639-2137 p | 503-639-1800 f

EvapTech, Inc.
A wholly owned subsidiary of EVAPCO, Inc.
8331 Nieman Road
Lenexa, KS 66214 USA
913-322-5165 p | 913-322-5166 f
marketing@evaptech.com

Tower Components, Inc.
A wholly owned subsidiary of EVAPCO, Inc.
5960 US HWY 64E
Ramseur, NC 27316
336-824-2102 p | 336-824-2190 f
mail@towercomponentsinc.com

South America

EVAPCO Brasil
Equipamentos Industriais Ltda
Rua Alexandre Dumas, 1601
Conj. 13, 14, 15 - Edificio Stelvio Mazza
04717-004 São Paulo, Brazil
(55) 19-5681-2000 p

Europe

EVAPCO Europe BVBA
European Headquarters
Heersteveldweg 19
Industrieterrein Oost
3700 Tongeren, Belgium
(32) 12-395029 p | (32) 12-238527 f
evapco.europe@evapco.be

EVAPCO Europe, S.r.l.
Via Ciro Menotti 10
I-20017 Passirana di Rho
Milan, Italy
(39) 02-939-9041 p | (39) 02-935-00840 f
evapcoeuropa@evapco.it

EVAPCO Europe, S.r.l.
Via Dosso 2
23020 Platèda Sondrio, Italy

EVAPCO Europe GmbH
Insterburger StraÙe 18
40670 Meerbusch, Germany
(49) 2159-695618 p | (49) 2159-695611 f
info@evapco.de

EVAPCO Air Solutions
Knøsgårdvej 115
DK-9440 Aabybro Denmark
(45) 9824 4999 p | (45) 9824 4990 f
info@flexcoil.dk

EVAPCO S.A. (Pty.) Ltd.
A licensed manufacturer of EVAPCO, Inc.
18 Quality Road
Isando 1600
Republic of South Africa
(27) 11-392-6630 p | (27) 11-392-6615 f
evapco@evapco.co.za

Evap Egypt Engineering Industries Co.
A licensed manufacturer of EVAPCO, Inc.
5 El Nasr Road
Nasr City, Cairo, Egypt
2 02 24022866 / 2 02 24044997 p
2 02 24044667 / 2 02 24044668 f
Primacool@link.net / Shady@primacool.net

Asia/Pacific

EVAPCO Asia/Pacific Headquarters
1159 Luoning Rd. Baoshan Industrial Zone
Shanghai 200949, P.R. China
(86) 21-6687-7786 p | (86) 21-6687-7008 f
marketing@evapcochina.com

EVAPCO (Shanghai) Refrigeration Equipment Co., Ltd.
1159 Luoning Rd., Baoshan Industrial Zone
Shanghai 200949, P.R. China
(86) 21-6687-7786 p | (86) 21-6687-7008 f
marketing@evapcochina.com

Beijing EVAPCO Refrigeration Equipment Co., Ltd.
No. 66 the 4th Block, Yanxi Economic Developmental Zone
Huairou District
Beijing 101407, P.R. China
(86) 10 6166-7238 p | (86) 10 6166-7395 f
evapcobj@evapcochina.com

EVAPCO Australia (Pty.) Ltd.
34-42 Melbourne Road
P.O. Box 436
Riverstone, N.S.W. Australia 2765
(61) 2 9627-3322 p | (61) 2 9627-1715 f
E-mail: sales@evapco.com.au

EVAPCO Composites Sdn. Bhd
No. 70 (Lot 1289) Jalan Industri 2/3
Rawang Integrated Industrial Park
48000 Rawang, Selangor, Malaysia
60 3 6092-2209 p | 60 3 6092-2210 f

EvapTech Asia Pacific Sdn. Bhd
A wholly owned subsidiary of EvapTech, Inc.
B-6-1, IOI Boulevard
Jalan Kenari 5, Bandar Puchong Jaya
47170 Puchong, Selangor, Malaysia
(60-3) 8070-7255 p | (60-3) 8070-5731 f
E-mail: marketing-ap@evaptech.com